

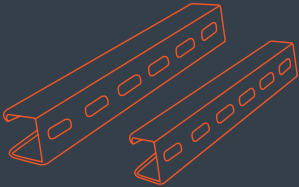


TRUSTED SUPPLIER OF STRUT AND ASSOCIATED FITTINGS

Strut is one of the core components in mechanical, hydraulic and electrical support systems. Combining this classical system with cutting edge, quality product development, FDG introduces a new era of support systems.

WHY CHOOSE FDG STRUT?

One of the highlights of the FDG Strut system is its ease of installation and huge range of available fittings. Strut is a time and money saving alternative to traditional support methods by eliminating the need for welding and drilling. It also provides superior flexibility due to its modular nature. FDG prides itself in high quality support systems through offering a full range of strut with over 40 different sizes/finishes and configurations, along with 200+ fittings available in stock to service any site challenges you may encounter.



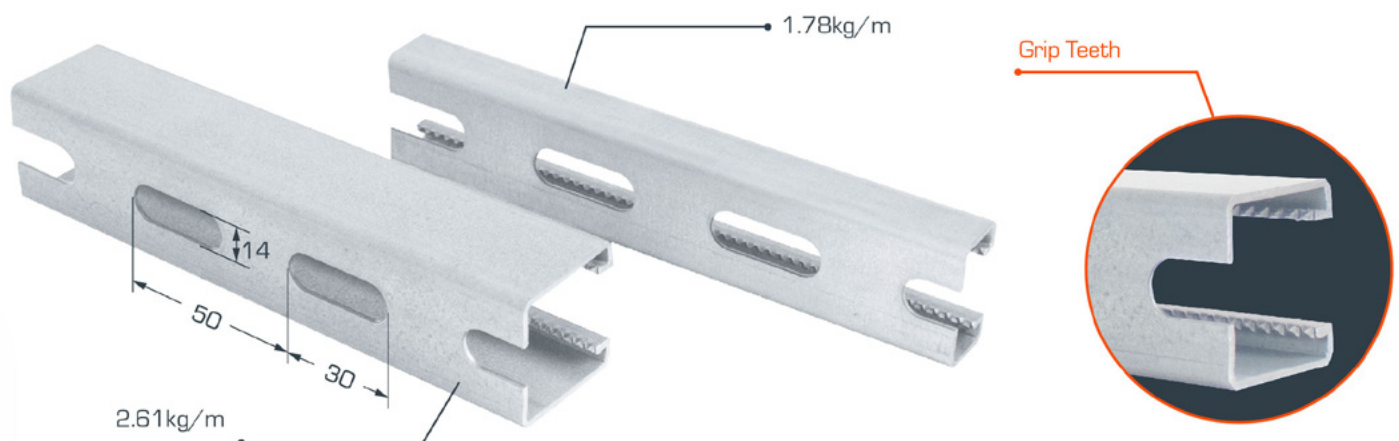
Ideal support system for:

- HVAC Duct
- Hydraulic Pipe
- Mechanical Pipe
- Solar Panel Installations
- Electrical and Data Cable Trays
- Ceiling Support Grids
- Seismic Bracing for all non-structural building services.

Slotted Strut

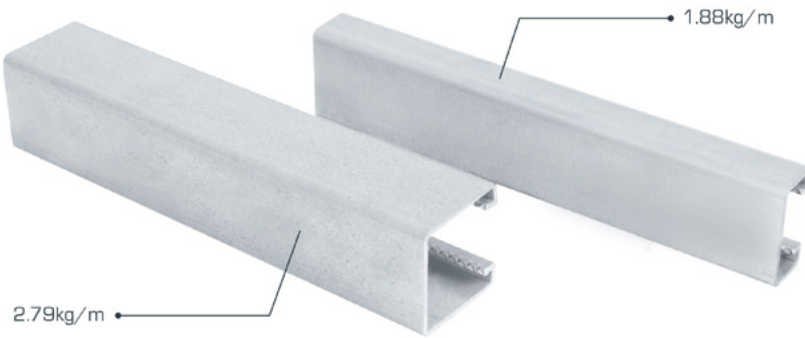
FDG's slotted strut is our most common channel, and comes with pre-punched holes which are sized to fit M10 and M12 Threaded Rods and Bolts to fit FDG's standard range of Strut fittings.

Slotted Strut can be assembled and installed on-site using minimal tools and doesn't require skilled labour. The impressive flexibility of this system means that any site changes, modifications or additions are easily completed with minimal, if any, downtime.



Solid Strut

FDG's solid strut is a more heavy-duty channel offering higher load ratings. Solid Strut is commonly used where extra strength is required for example; heavy pipework, large cable ladders or seismic bracing systems. It is also compatible with the full range of FDG strut accessories.



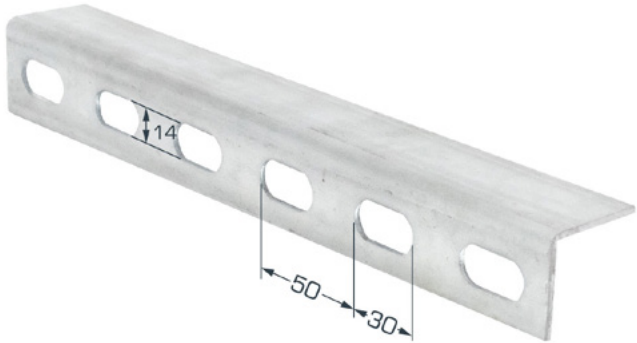
Back To Back Strut

For extra heavy requirements, Back To Back Strut gives you the strength you need. Commonly used for seismic bracing and supporting large pipework.



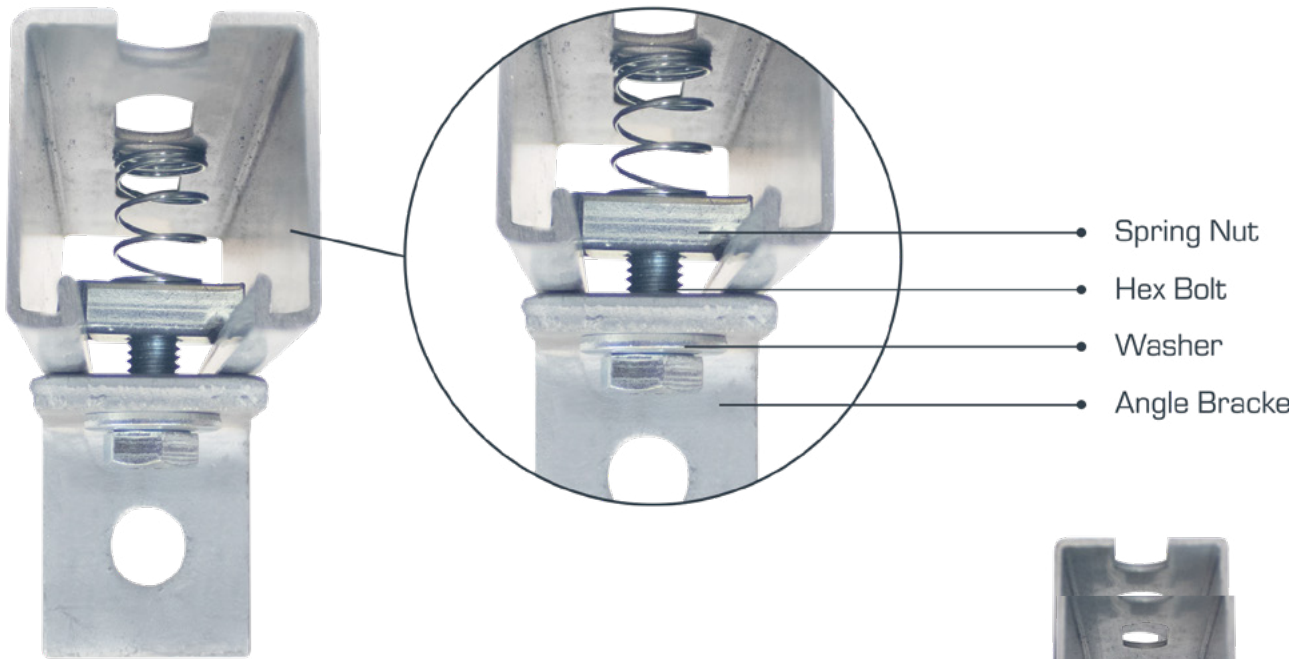
Slotted Angle

FDG's slotted angle is ideally suited to supporting lightweight HVAC Ducting systems.



Physical Properties

FDG understands the challenges of today's ever changing construction industry, and as a result of this, we have a range of over 200 strut accessories to suit your unique site requirements. We also have the ability to manufacture custom components very quickly if required.



Spring Nut Fitting

