

## FDG RUBBER LINED QUICK LOCK CLAMPS

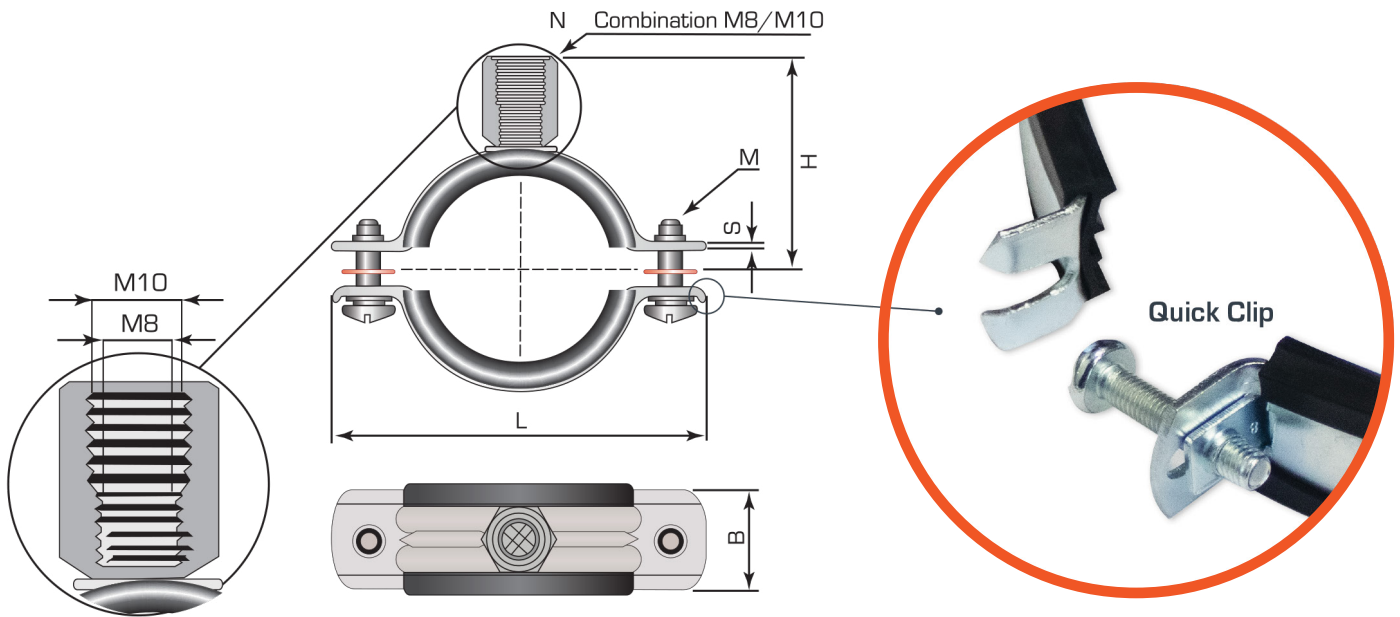


---

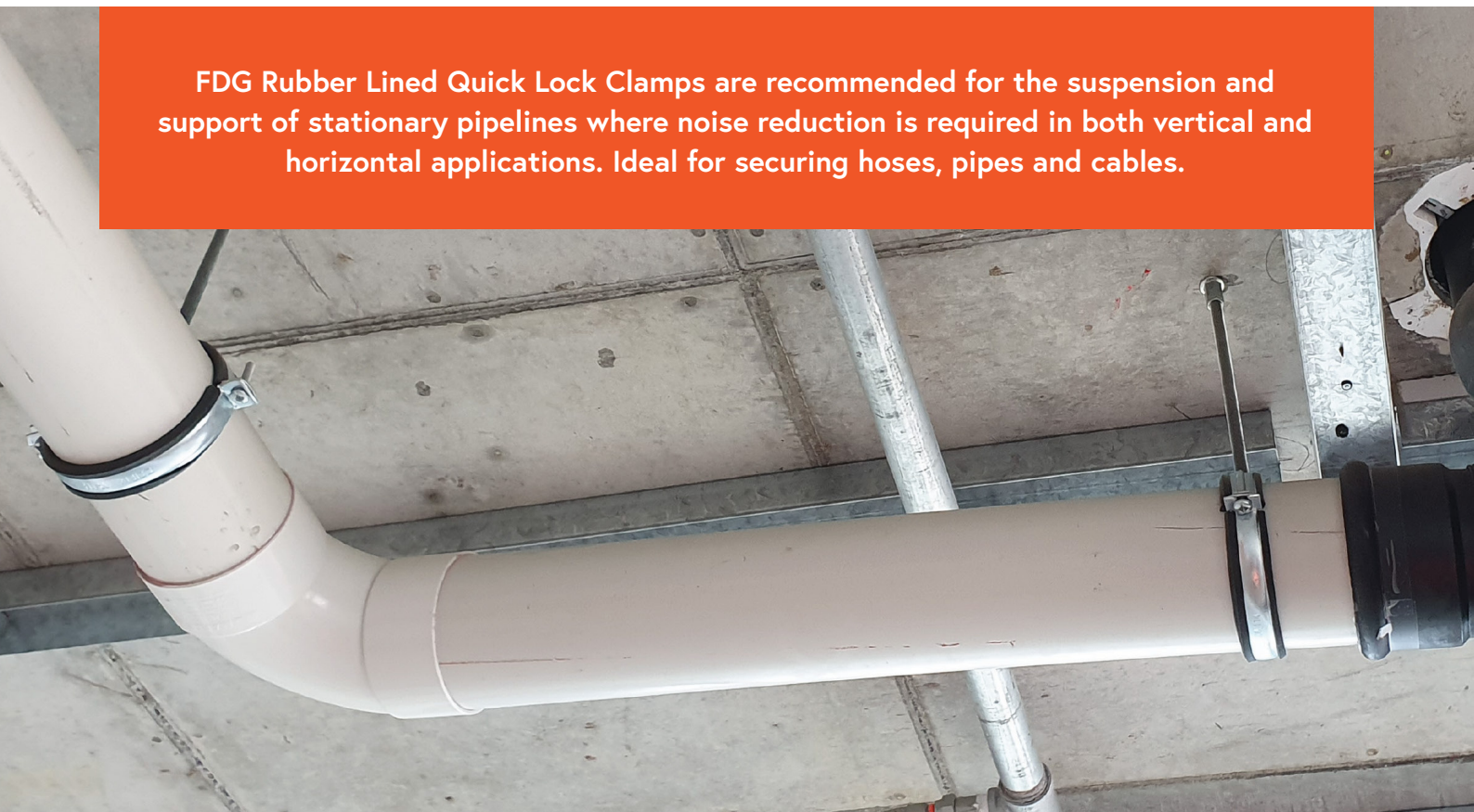
### FDG'S SUSPENSION AND SUPPORT WITH QUICK LOCK CLAMPS

Rubber Lined Quick Lock Clamps are a double screw clamp with a quick lock for suspending all pipes with a unique rubber insulation design to prevent rolling & binding. Unmatched performance for all pipes including: PVC, HDPE, Copper, Steel and PEX.

## ***DACROMET BLACK PIPECLAMP – FOR OUTSIDE USE.***



FDG Rubber Lined Quick Lock Clamps are recommended for the suspension and support of stationary pipelines where noise reduction is required in both vertical and horizontal applications. Ideal for securing hoses, pipes and cables.





### Quick Lock Zinc Plate

- Comes in a range of sizes from 12mm-169mm.
- Rubber lining gives a good firm fit, absorbing vibration and helps with any size change due to temperature variations.
- Suits all pipes including PVC, HDPE, Copper, Steel and PEX.



### Quick Lock Dacromet

- Comes in a range of sizes from 12mm-210mm.
- Dacromet coating provides a high level of protection against corrosion.
- Rubber lining gives a good firm fit, absorbing vibrations.
- Suit all pipes including PVC, HDPE, Copper, Steel and PEX.



### Quick Lock Stainless

- Comes in a range of sizes from 15mm-114mm.
- Rubber lining gives a good firm fit, absorbing vibration and helps with any size changes due to temperature variations.
- Suits all pipes including PVC, HDPE, Copper, Steel and PEX.



### Spiral Duct Clamp

- Comes in a range of sizes from 150mm-600mm.
- Rubber lining gives a good firm fit, absorbing vibration and helps with any size changes due to temperature variations.



PLAN, BUILD, CREATE  
**BETTER**

[fdgnz.com](http://fdgnz.com) / [sales@fdgnz.com](mailto:sales@fdgnz.com) / 0800 555 464