

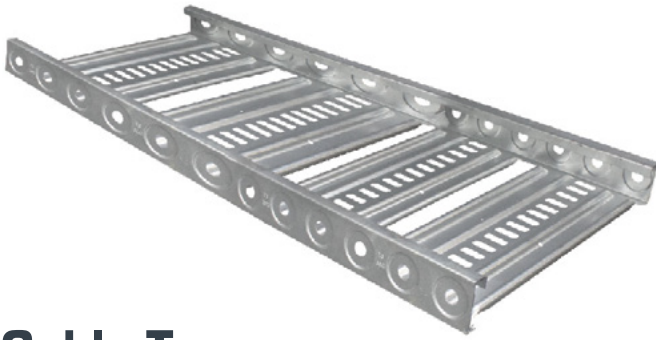
FDG CABLE SUPPORT SYSTEMS



A LEADING SUPPLIER OF CABLE SUPPORTS

FDG offers a wide range of Cable Support Solutions to allow cables and wires to be routed around a building easily, safely and efficiently. The range includes various cable laying depths, load capacities and surface coatings. From heavy duty cable ladders to light weight trays and baskets, FDG is your go to partner for supporting your cable needs.

OUR RANGE



Cable Tray

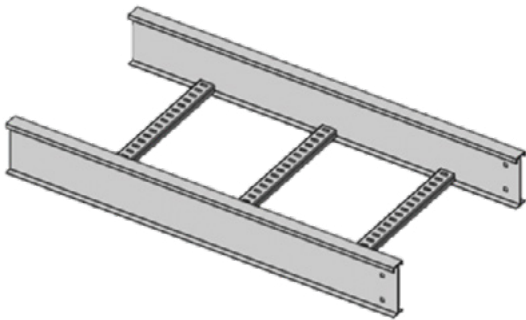
Cable Tray is typically the most popular choice when running cable, allowing you to not only support but organise. Cable Tray provides an economical, fast and safe alternative to traditional open wiring.

FDG Cable tray comes in 3m lengths and a range of widths between 150mm and 600mm. For any exposed or decorative Cable tray this can be powder coated any colour for added effect.



Cable Basket

Cable basket is typically used to support light weight and data cable. It's key benefits include the speed to install and excellent cable ventilation. FDG's Cable Basket comes in 3m lengths and in a range of widths between 50mm and 600mm. A full range of fittings and accessories are also available from FDG.



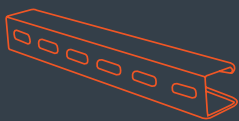
Cable Ladder

FDG Cable Ladder is designed to support heavy high-voltage cable. Available from FDG in Aluminium, HDG and Stainless, it comes in several different load ratings and cable laying depths. All tested to confirm with NEMA Standards, this full range from FDG includes risers and bends.

FDG's Cable Ladder comes in 6m lengths and in a range of widths between 150mm and 900mm.

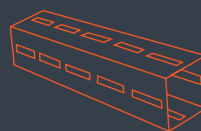


SUPPORTS



Strut

FDG's Strut is also used in combination with cable supports solutions, offering extra strength and bracing. One of the highlights of the FDG Strut system is its ease of installation, which gives a time and money saving alternative to traditional support methods.



Modframe

FDG's ModFrame is a Modular Framing System ideally suited to supporting cable ladders, large pipework and multiservice brackets. This time saving system eliminates the need for welding, drilling, and galvanizing. A heavy duty compliment to cable support solutions.



FDG SEISMIC

When utilising FDG's seismic product offering, FDG partner with our clients to assist with their seismic design requirements on their projects. We ensure the unique requirements of the project are understood to ensure cost, engineered design and buildability all align. With our product knowledge we advise the client of product specifications that are then incorporated into the completed design.

The design is then review and finalised by a Registered Engineer in accordance with the NZ Standard 4219:2009. To minimise the risk of budget over runs FDG also provides a complete Bill of Materials for the project, and product can then be supplied as a project lot or as needed throughout the project. The final PS4 is issued by the assigned Engineer after inspecting the final installation either onsite or remote visit.

Exemption from bracing under NZS4219:2009 - Electrical Services.

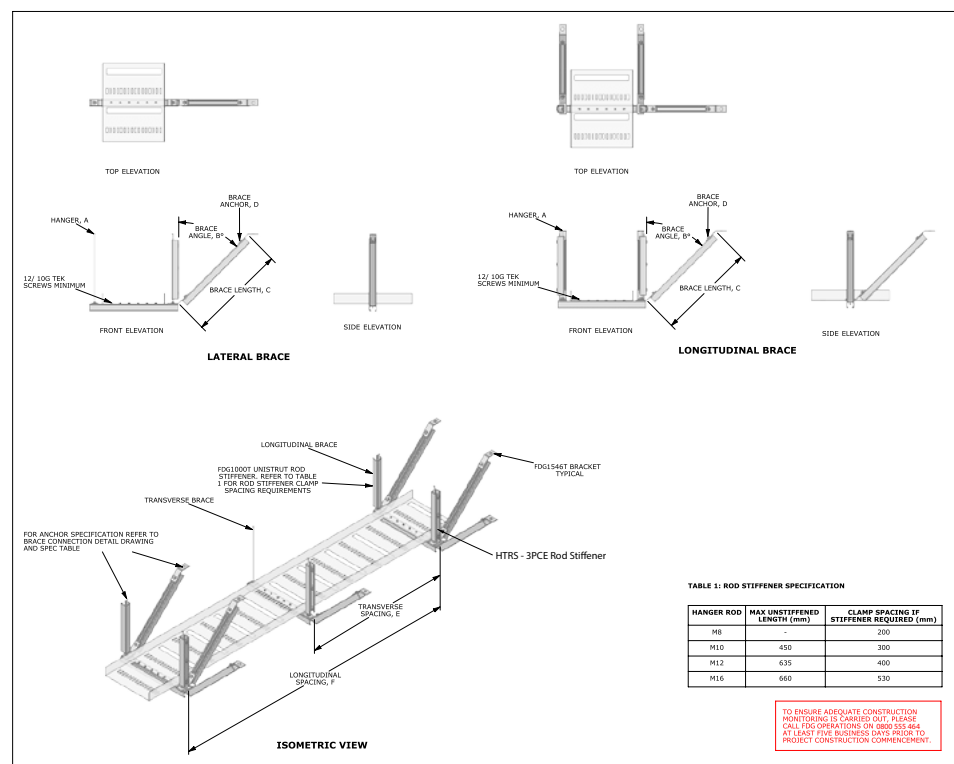
Non-essential electrical services (i.e., cable trays), do not require seismic bracing if:

- The services are suspended by individual hangers 400mm or less; and
- Have 150 mm of clearance from hangers and braces for adjacent suspended components.

Additional opportunities where FDG can assist on Keynote Projects;

- Prefabrication of Custom Bracketry and Frames.
- Plant Room Frames and Switch Board Room Containment bespoke design and sign off.
- Seismic engineering for bespoke requirements onsite, for example service clashes. This includes site consultations to ensure that the engineering solution works for all parties.
- CAD Design and BIM Modelling.
- Example of Standard Detail

Example of Standard Detail



LATERAL BRACE

LONGITUDINAL BRACE

ISOMETRIC VIEW

Labels in drawing: HANGER, A; BRACE ANCHOR, D; BRACE ANGLE, B¹; BRACE ANGLE, B²; BRACE LENGTH, C; 12/ LOG TEK SCREWS MINIMUM; FGD1000T UNSTIFFED ROD STIFFENERS REFER TO TABLE 1 FOR ROD STIFFENER CLAMP SPACING REQUIREMENTS; LONGITUDINAL BRACE; TRANSVERSE BRACE; FGD1000T BRACKET TYPICAL; HTRS - 3PCE Rod Stiffener; LONGITUDINAL SPACING, F; TRANSVERSE SPACING, E.


TABLE 1: ROD STIFFENER SPECIFICATION

HANGER ROD	MAX UNSTIFFERED LENGTH (mm)	CLAMP SPACING IF STIFFENER REQUIRED (mm)
M8	-	200
M10	450	300
M12	635	400
M16	660	530

NOTES:

1. INSTALL ANCHORS IN ACCORDANCE WITH MANUFACTURER'S SPEC
2. REPRESENTATIVE ONLY. SEE FDG SPEC FOR DETAILS
3. ANY CHANGES ON SITE TO BE APPROVED BY FDG

DESIGNER:



© Fasteners Direct Global
Ph: 0800 555 464
Email: sales@fdg.co.nz
www.fdg.co.nz

Tolerances (unless specified)	±100	<1000	>1000
	±2	±10	±70

All dim. in mm

Rev	Description
REFER TO REV SPEC	

Designed: Fasteners Direct Global 10/05/18
Drawn: Fasteners Direct Global 20/05/18

CABLE TRAY FGD1000T BRACE

Scale: Do not Scale

Sheet: P059-06 1 of 1

TO ENSURE ADEQUATE CONSTRUCTION MONITORING IS CARRIED OUT, PLEASE CALL FDG OPERATIONS ON 0800 555 464 AT LEAST FIVE BUSINESS DAYS PRIOR TO PROJECT CONSTRUCTION COMMENCEMENT.