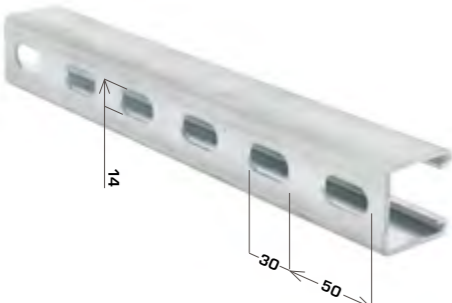


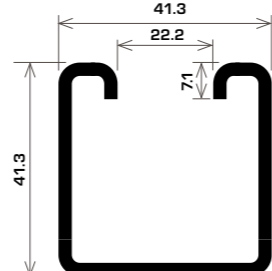

STRUT & CABLE TRAY

***KEEPING BUSINESS'S
MOVING & MAKING***

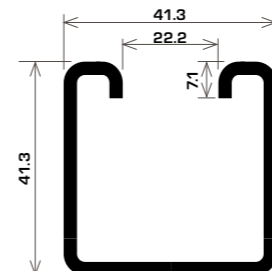
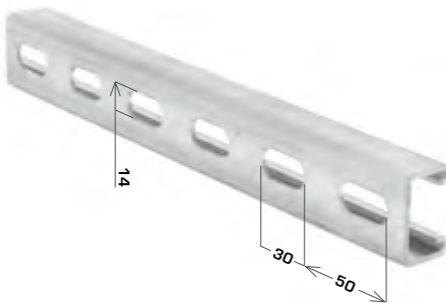
 www.fdg.nz.com
 sales@fdg.nz.com
 0800 555 464



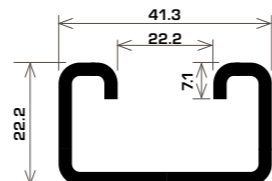

SLOTTED STRUT 41 X 41 X 2.5 X 6			
CODE	FINISH	SIZE MM	LENGTH
FDG1000TP	Pre-Galv	41 x 41 x 2.5	6m
FDG1000TG	HDG	41 x 41 x 2.5	6m
FDG1000TSS	Stainless	41 x 41 x 2.5	6m

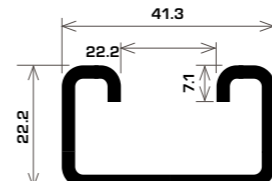
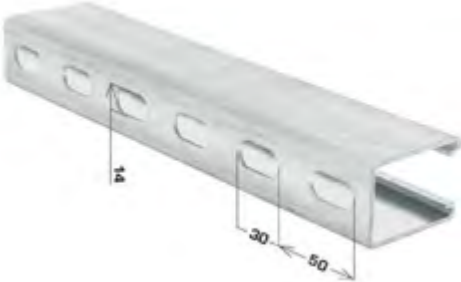
SOLID STRUT 41 X 41 X 2.5 X 6			
CODE	FINISH	SIZE MM	LENGTH
FDG1000P	Pre-Galv	41 x 41 x 2.5	6m
FDG1000G	HDG	41 x 41 x 2.5	6m
FDG1000SS	Stainless Steel	41 x 41 x 2.5	6m

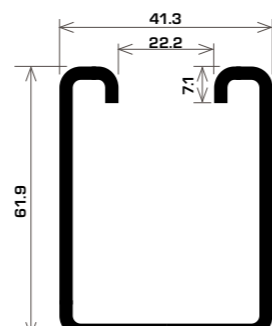

SLOTTED STRUT 41 X 21 X 2.5 X 6			
CODE	FINISH	SIZE MM	LENGTH
FDG3000TP	Pre-Galv	41 x 21 x 2.5	6m
FDG3000TG	HDG	41 x 21 x 2.5	6m

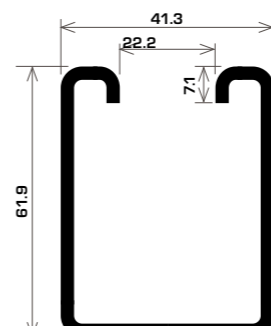
SOLID STRUT 41 X 21 X 2.5 X 6			
CODE	FINISH	SIZE MM	LENGTH
FDG3000P	Pre-Galv	41 x 21 x 2.5	6m
FDG3000G	HDG	41 x 21 x 2.5	6m

SLOTTED STRUT 41 X 61 X 2.5 X 6			
CODE	FINISH	SIZE MM	LENGTH
FDG5000TP	Pre-Galv	41 x 61 x 2.5	6m
FDG5000TG	HDG	41 x 61 x 2.5	6m

SOLID STRUT 41 X 61 X 2.5 X 6			
CODE	FINISH	SIZE MM	LENGTH
FDG5000P	Pre-Galv	41 x 61 x 2.5	6m
FDG5000G	HDG	41 x 61 x 2.5	6m



SLOTTED STRUT 41 X 41 X 2.5 X 3

CODE	FINISH	SIZE MM	LENGTH
FDG1000TP-3M	Pre-Galv	41 x 41 x 2.5	3m
FDG1000TG-3M	HDG	41 x 41 x 2.5	3m

SLOTTED STRUT 41 X 21 X 2.5 X 3

CODE	FINISH	SIZE MM	LENGTH
FDG3000TP-3M	Pre-Galv	41 x 21 x 2.5	3m
FDG3000TG-3M	HDG	41 x 21 x 2.5	3m

SLOTTED ANGLE

CODE	FINISH	SIZE MM	LENGTH
FDG15050G	HDG	50 x 50 x 5	6m

SOLID STRUT 41 X 82 X 2.5 X 6

CODE	FINISH	SIZE MM	LENGTH
FDG1001P	Pre-Galv	41 x 82 x 2.5	6m
FDG1001G	HDG	41 x 82 x 2.5	6m
FDG1001B	Black	41 x 82 x 2.5	6m

SLOTTED STRUT 41 X 82 X 2.5 X 6

CODE	FINISH	SIZE MM	LENGTH
FDG1001TP	Pre Galv	41 x 82 x 2.5	6m
FDG1001TG	HDG	41 x 82 x 2.5	6m

SOLID STRUT 41 X 124 X 2.5 X 6

CODE	FINISH	SIZE MM	LENGTH
FDG5001G	HDG	41 x 124 x 2.5	6m



SPRING NUT

CODE	DESCRIPTION	PACK QTY	FINISH
NUTM6SLS	M6	100	Zinc/Galv
NUTM8SLS	M8	100	Zinc/Galv/SS
NUTM10SLS	M10	100	Zinc/Galv/SS
NUTM12SLS	M12	100	Zinc/Galv/SS
NUTM16SLS	M16	100	Zinc/Galv

*Short Spring Nuts also available



SPRING NUT WITH NO SPRING

CODE	DESCRIPTION	PACK QTY	FINISH
NUTM8SNSZ	M8	100	Zinc
NUTM10SNSZ	M10	100	Zinc
NUTM12SNSZ	M12	100	Zinc



SPEED NUT

CODE	DESCRIPTION	PACK QTY	FINISH
NUTM10SNZ	M10	100	Zinc



TOP HUNG SPEED NUT

CODE	DESCRIPTION	PACK QTY	FINISH
NUTM10STZ	M10	100	Zinc

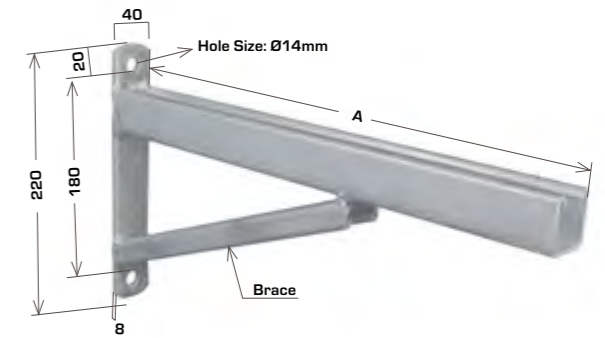


T-NUT

CODE	DESCRIPTION	PACK QTY	FINISH
53NUTM10STZ	M10	100	Zinc

CANTILEVER BRACKETS - BRACED (HDG)

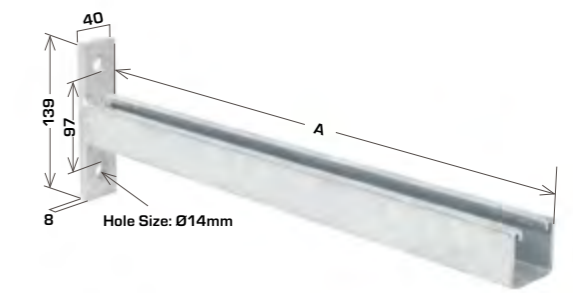
CODE	LENGTH MM (A)
FDGCB320G	320
FDGCB470G	470
FDGCB635G	635
FDGCB780G	780
FDGCB930G	930
FDGCB1080G	1080



*Custom sizes and finishes available on request.

CANTILEVER BRACKETS - UNBRACED (HDG)

CODE	LENGTH MM (A)
FDGCBU150G	150
FDGCBU300G	300
FDGCBU450G	450
FDGCBU600G	600
FDGCBU700G	700
FDGCBU1000G	1000



*Custom sizes and finishes available on request.

ROD STIFFENER

CODE	DESCRIPTION	PACK QTY	FINISH
HTRS-3PCE	M10	100	Zinc/Galv
HTRS-3PCE12	M12	100	Zinc/Galv



M8 FLANGE BEAM CLAMP - 3MM

CODE	DESCRIPTION	QTY	FINISH
53BFC	M8	100	Zinc
53BFCG	M8	100	Galv



ROD BASE PLATE PRESSED

CODE	DESCRIPTION	PACK QTY	FINISH
53BP10	M10	50	ZP & SS

ROD BASE PLATE WELDED BOSS

CODE	DESCRIPTION	PACK QTY	FINISH
53BP10Z-B	M10	50	ZP, HDG & SS



ROD BASE PLATE 45°

CODE	DESCRIPTION	PACK QTY	FINISH
FDGBPH10Z	M10	50	ZP & HDG

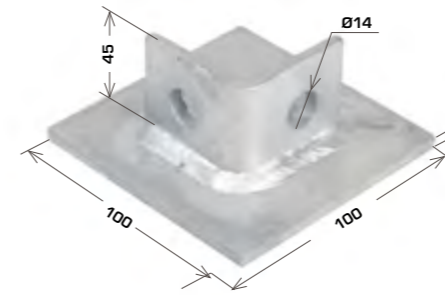
ROD BASE PLATE 45° - 2 HOLE

CODE	DESCRIPTION	PACK QTY	FINISH
FDGBPH10Z-2H	M10	50	ZP & HDG



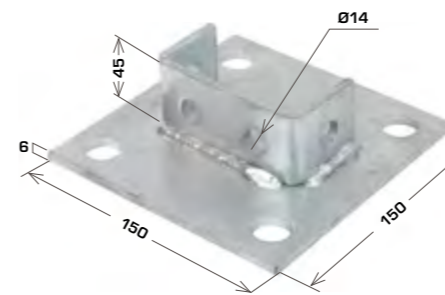
ROD BASE PLATE VERTICAL

CODE	DESCRIPTION	PACK QTY	FINISH
FDGBPV10Z	M10	50	ZP & HDG
FDGBPV12Z	M12	50	ZP & HDG



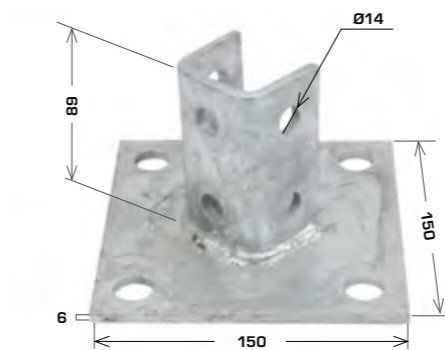
STRUT BASE PLATE 40 X 100 (HDG)

CODE	DESCRIPTION	PACK QTY	TO SUIT
FDG2072SIG	100 x 100 x 45	20	FDG1000T



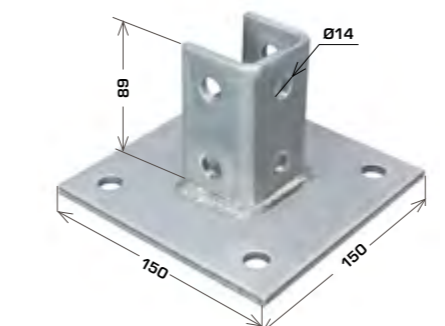
BASE PLATE 150 ANGLE (HDG)

CODE	DESCRIPTION	PACK QTY	TO SUIT
FDG2073G	150 x 150 x 45	10	FDG3300T



BASE PLATE 150 ANGLE (HDG)

CODE	DESCRIPTION	PACK QTY	TO SUIT
FDG2072AG	150 x 150 x 89	10	FDG1000T

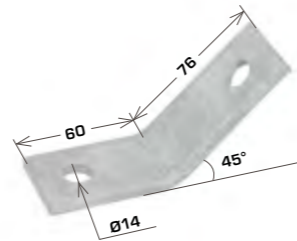


STRUT BASE PLATE 150 SQUARE

CODE	DESCRIPTION	PACK QTY	TO SUIT	FINISH
FDG2072BG	150 x 150 x 89	10	FDG1000T	Galv
FDG2072BSS	150 x 150 x 89	10	FDG1000T	S/S

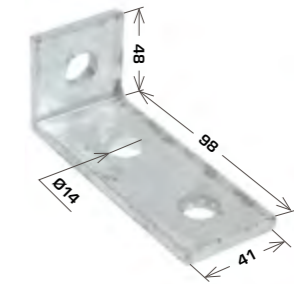
ANGLE BRACKET - EXTERNAL ANGLE 45°

CODE	DESCRIPTION	PACK QTY	FINISH
FDG1546G	76 x 60	100	Galv
FDG1546SS	76 x 60	100	S/S



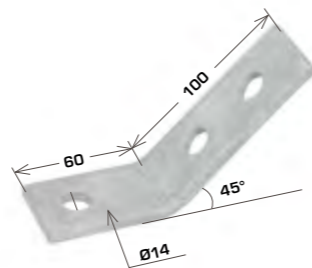
ANGLE BRACKET - 3 HOLE

CODE	DESCRIPTION	PACK QTY	FINISH
FDG1326	98 x 48	100	Galv



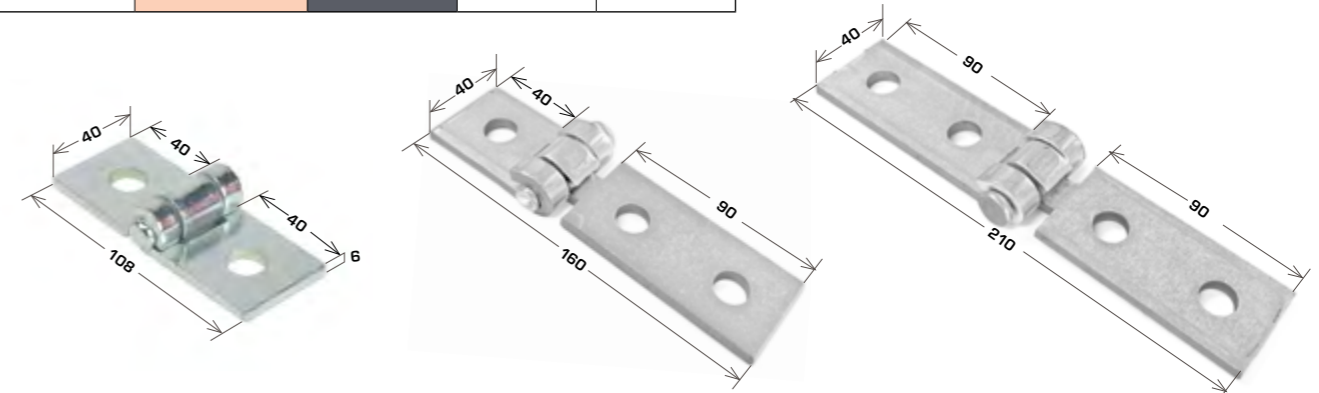
ANGLE BRACKET - SEISMIC ANGLE 45°

CODE	DESCRIPTION	PACK QTY	FINISH
FDG1546G-3H	100 x 60	100	Galv



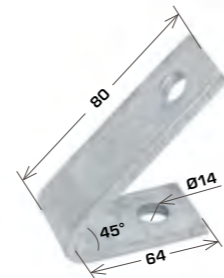
HINGE ANGLE BRACKET

CODE	DESCRIPTION	THICKNESS	PACK QTY	FINISH
FDG1843G	2 hole - 40 x 40	6mm	100	Zinc/Galv
FDG1354AG	3 hole - 40 x 90	6mm	50	Zinc/Galv
FDG1354G	4 hole - 90 x 90	6mm	50	Zinc/Galv



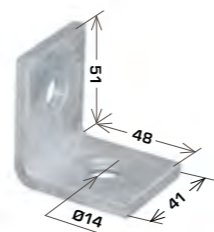
ANGLE BRACKET - INTERNAL ANGLE 45°

CODE	DESCRIPTION	PACK QTY	FINISH
FDG1186G	80 x 64	100	Galv



ANGLE BRACKET - 2 HOLE

CODE	DESCRIPTION	PACK QTY	FINISH
FDG1026G	48 x 51	200	Galv
FDG1026SS	48 x 51	200	S/S



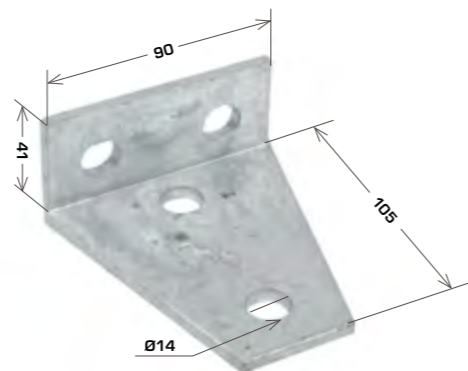
“We were initially hesitant to use ModFrame given we had never seen anything like it in the market before, but after use on one project we will never return to traditional welded frames. It cut overall costs by over 50% due to its endless flexibility and huge time saving advantages when installing on site”

Foreman
Axis Plumbing



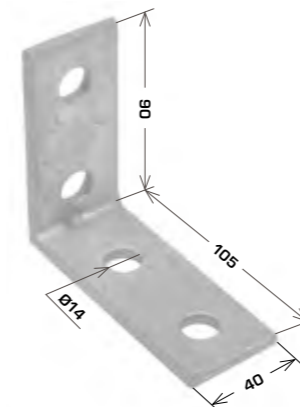
ANGLE BRACKET - WIDE ANGLE TEE

CODE	DESCRIPTION	PACK QTY	FINISH
FDG1359G	105 x 90	10	Galv



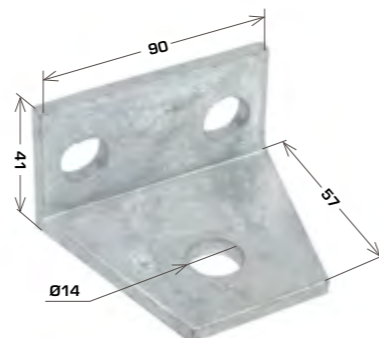
ANGLE BRACKET - 4 HOLE

CODE	DESCRIPTION	PACK QTY	FINISH
FDG1325G	105 x 90	10	Galv



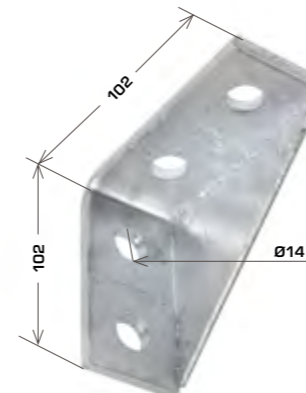
ANGLE BRACKET - NARROW ANGLE TEE

CODE	DESCRIPTION	PACK QTY	FINISH
FDG1357G	57 x 90	10	Galv



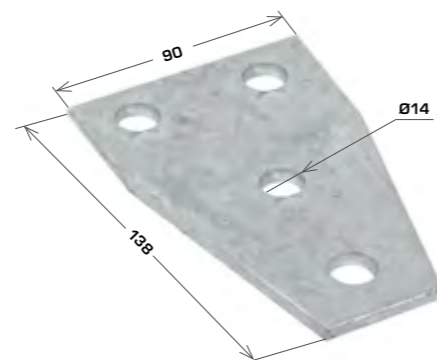
ANGLE BRACKET - 4 HOLE BRACED

CODE	DESCRIPTION	PACK QTY	FINISH
FDG2484G	102 x 102	10	Galv



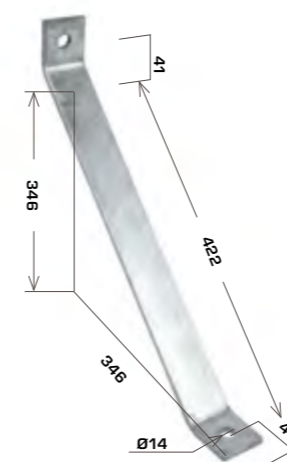
FLAT ANGLE BRACKET

CODE	DESCRIPTION	PACK QTY	FINISH
FDG1358G	138 x 90	10	Galv



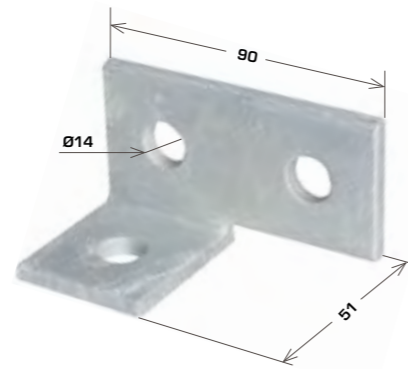
BRACE FITTING - ANGLE BRACE

CODE	DESCRIPTION	PACK QTY	FINISH
FDG2452G	41 x 346 x 422	100	Galv



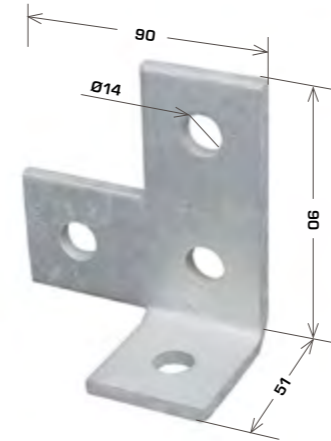
WINGED FITTING - LEFT

CODE	DESCRIPTION	PACK QTY	FINISH
FDG1038G	90 x 51	10	Galv



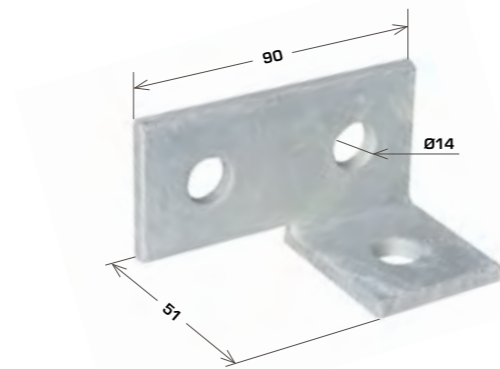
WINGED FITTING - LEFT

CODE	DESCRIPTION	PACK QTY	FINISH
FDG1034G	90 x 90 x 51	10	Galv



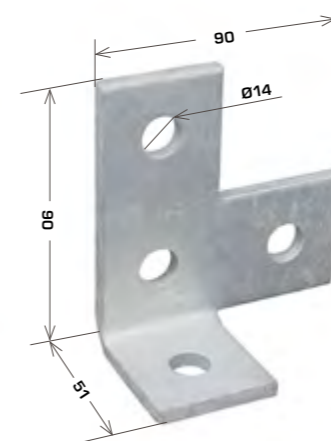
WINGED FITTING - RIGHT

CODE	DESCRIPTION	PACK QTY	FINISH
FDG1037G	90 x 51	10	Galv



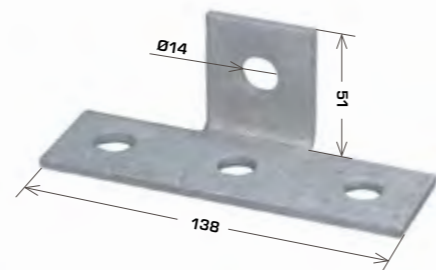
WINGED FITTING - RIGHT

CODE	DESCRIPTION	PACK QTY	FINISH
FDG1035G	90 x 90 x 51	10	Galv



WINGED FITTING - TEE

CODE	DESCRIPTION	PACK QTY	FINISH
FDG1033G	138 x 51	10	Galv



FDG CABLE SUPPORT SYSTEMS

FDG offers a wide range of Cable Support Solutions, including various cable laying depths, load capacities and surface coatings. From heavy duty cable ladders to light weight trays and baskets, FDG is your go to partner for supporting your cable needs.

Get in touch today for more info on 0800 555 464!

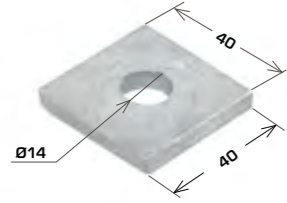
See Page 38 for Cable Tray





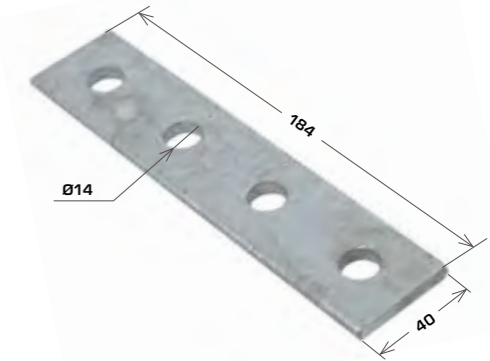
FLAT PLATE FITTING - 1 HOLE

CODE	DESCRIPTION	PACK QTY	FINISH
W8X40SQX3G	40 x 40 x 3mm x M8	100	Galv & SS
W10X40SQX3G	40 x 40 x 3mm x M10	100	Galv & SS
W12X40SQX3G	40 x 40 x 3mm x M12	100	Galv & SS
W16X40SQX3G	40 x 40 x 3mm x M16	100	Galv
W10X40SQX6G	40 x 40 x 6mm x M10	100	Galv
W12X40SQX6G	40 x 40 x 6mm x M12	100	Galv
W16X40SQX6G	40 x 40 x 6mm x M16	100	Galv



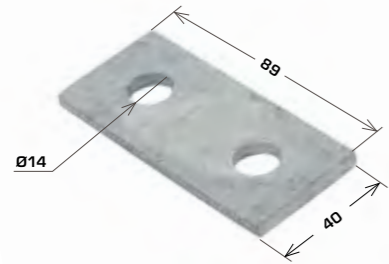
FLAT PLATE FITTING - 4 HOLE

CODE	DESCRIPTION	PACK QTY	FINISH
FDG1067G	40 x 184	20	Galv



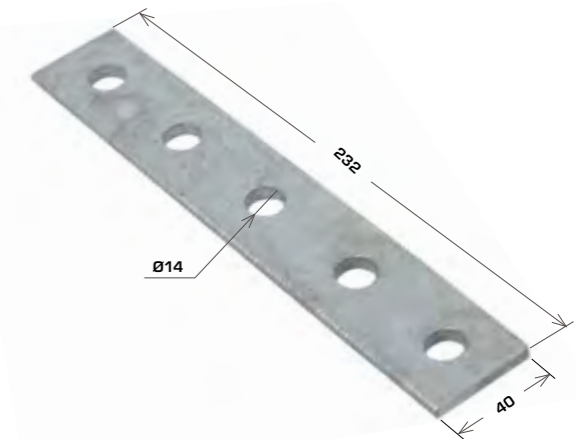
FLAT PLATE FITTING - 2 HOLE

CODE	DESCRIPTION	PACK QTY	FINISH
FDG1065G	40 x 89	100	Galv



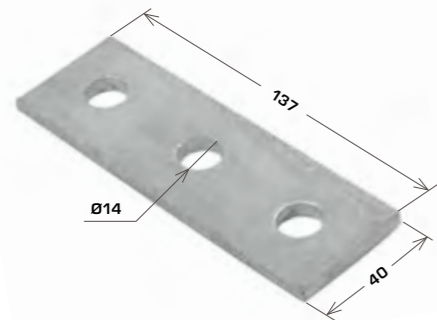
FLAT PLATE FITTING - 5 HOLE

CODE	DESCRIPTION	PACK QTY	FINISH
FDG1941G	40 x 232	20	Galv



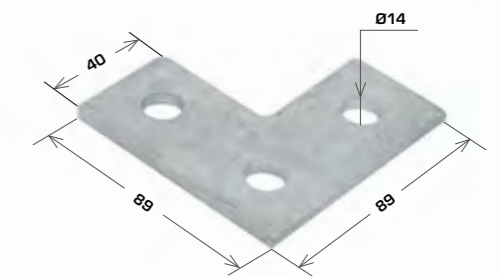
FLAT PLATE FITTING - 3 HOLE

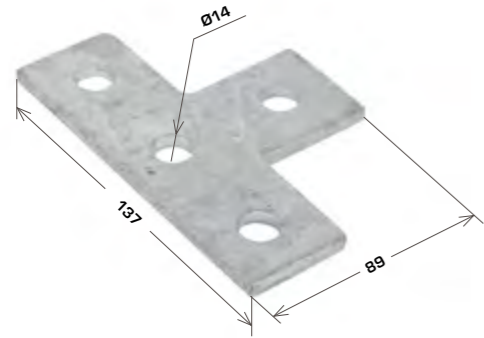
CODE	DESCRIPTION	PACK QTY	FINISH
FDG1066G	40 x 137	50	Galv



FLAT PLATE FITTING - RIGHT ANGLE

CODE	DESCRIPTION	PACK QTY	FINISH
FDG1036G	89 x 89	20	Galv



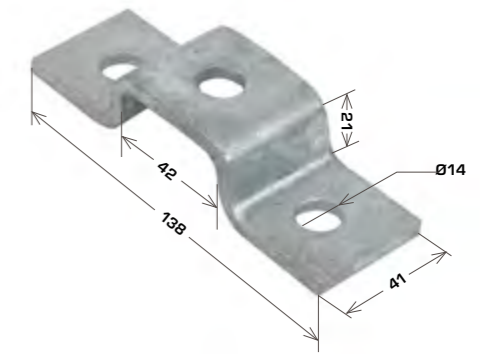


FLAT PLATE FITTING - TEE

CODE	DESCRIPTION	PACK QTY	FINISH
FDG1031G	89 x 137	20	Galv

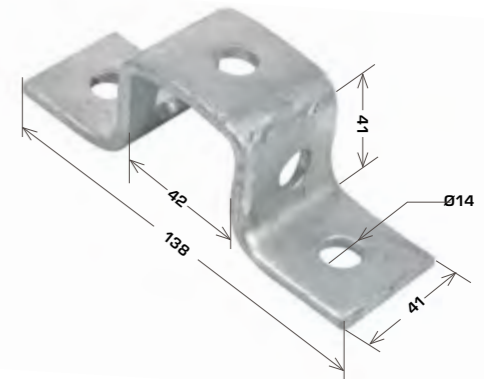
U SHAPED BRACKET

CODE	DESCRIPTION	PACK QTY	FINISH
FDG4047G	42 x 21 x 138	40	Galv



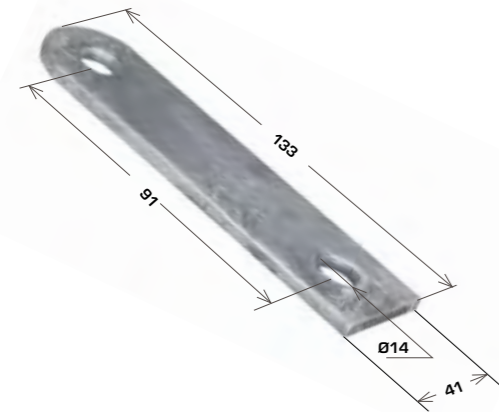
U SHAPED BRACKET

CODE	DESCRIPTION	PACK QTY	FINISH
FDG1047G	42 x 41 x 138	20	Galv



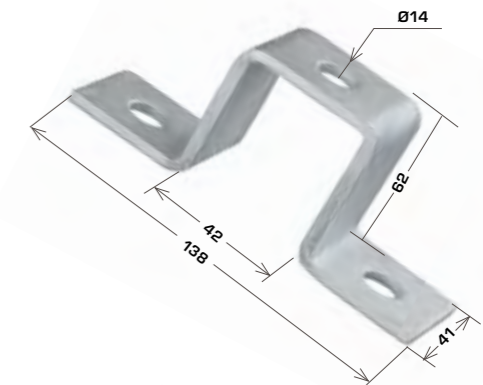
FLAT PLATE FITTING - 2 HOLE

CODE	DESCRIPTION	PACK QTY	FINISH
FDG2325G	91 x 133	20	Galv



U SHAPED BRACKET

CODE	DESCRIPTION	PACK QTY	FINISH
FDG5547G	42 x 62 x 138	10	Galv

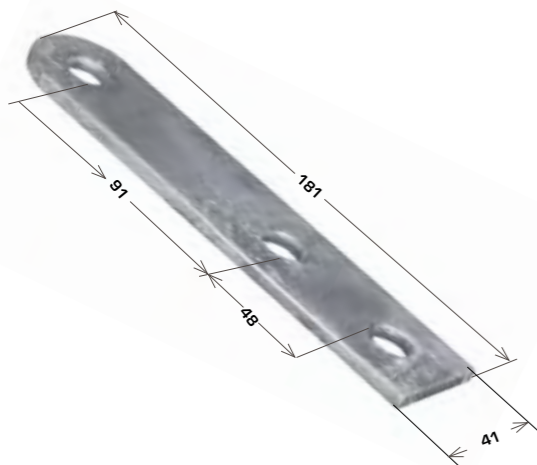
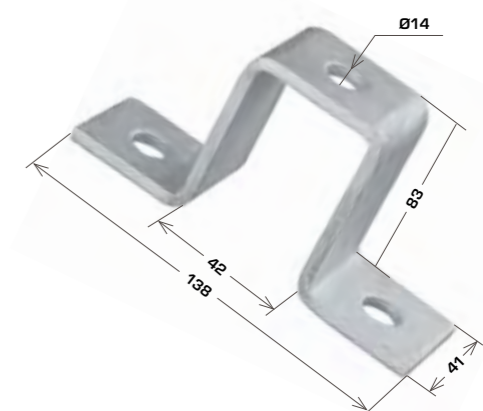


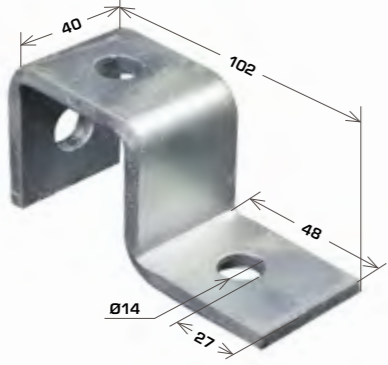
FLAT PLATE FITTING - 3 HOLE

CODE	DESCRIPTION	PACK QTY	FINISH
FDG2324G	91 x 181	20	Galv

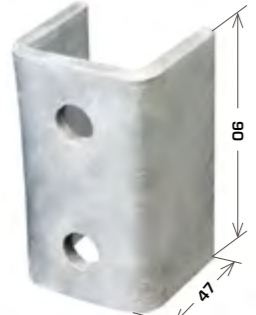
U SHAPED BRACKET

CODE	DESCRIPTION	PACK QTY	FINISH
FDG1737G	42 x 83 x 138	10	Galv

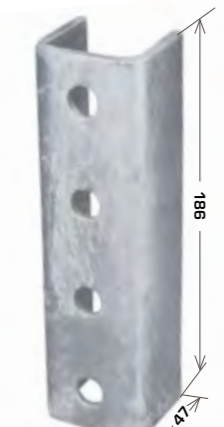


U SHAPED BRACKET			
CODE	DESCRIPTION	PACK QTY	FINISH
FDG1046G	48 x 102	10	Galv



U SHAPE STRUT JOINER			
CODE	DESCRIPTION	PACK QTY	FINISH
FDG1376G	47 x 90	10	Galv



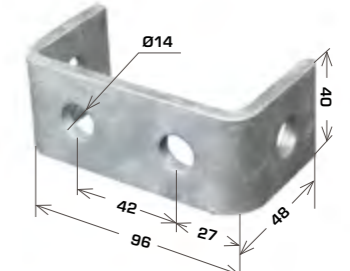
U SHAPED BRACKET			
CODE	DESCRIPTION	PACK QTY	FINISH
FDG1377G	47 x 186	10	Galv



U SHAPE STRUT JOINER			
CODE	DESCRIPTION	PACK QTY	FINISH
FDG4376G	24 x 90	1	Galv



U SHAPE STRUT JOINER			
CODE	DESCRIPTION	PACK QTY	FINISH
FDG1044G	48 x 96	1	Galv

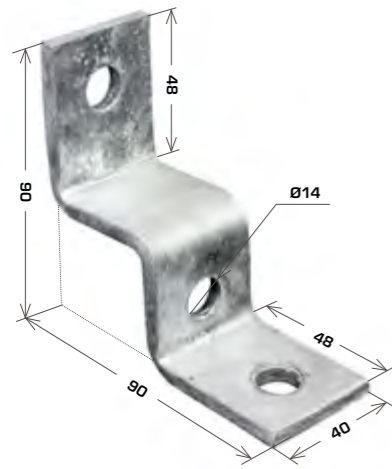


STAY COMPLIANT
WITH FDG's C1 & C2 RATED SEISMIC ANCHORS

Get in touch today for more info on 0800 555 464!

See Page 91-104 for Anchors

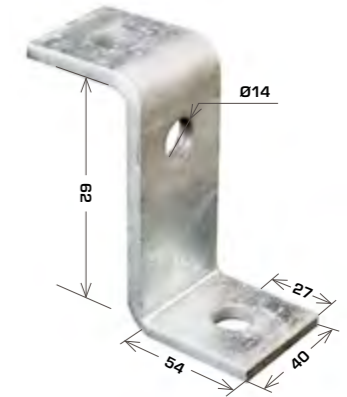


Z SHAPED BRACKET			
CODE	DESCRIPTION	PACK QTY	FINISH
FDG1736G	40 x 90 x 90	10	Galv

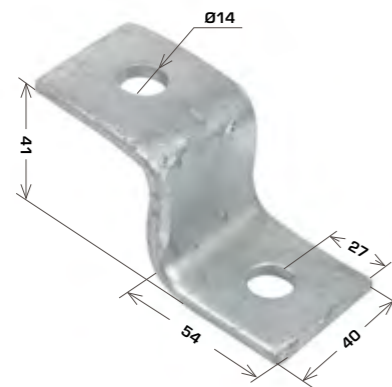
Z SHAPED BRACKET

CODE	DESCRIPTION	PACK QTY	FINISH
FDG5545G	40 x 65 x 90	10	Galv



Z SHAPED BRACKET

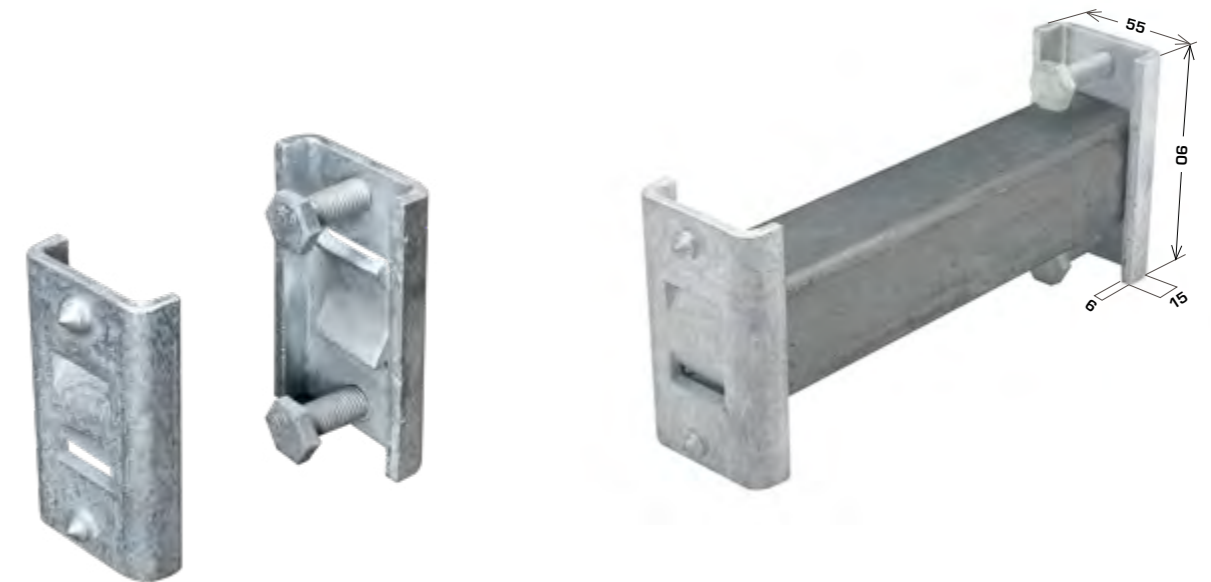
CODE	DESCRIPTION	PACK QTY	FINISH
FDG1045G	40 x 45 x 94	10	Galv



MOUNTING PLATES

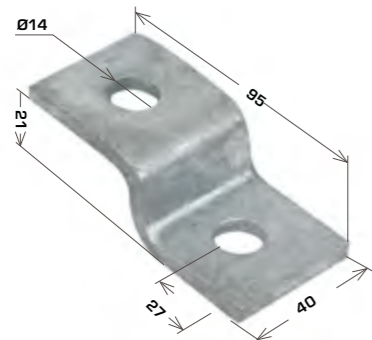
CODE	STRUT	PULLOUT LOAD	SLIP LOAD
FDG3087G	FDG1000G	4.41kN	3.53kN
FDG3087G	FDG2000G	4.41kN	1.32kN

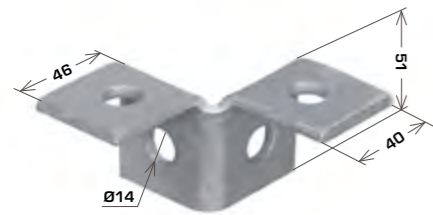
*2 cone pointed screws included per plate



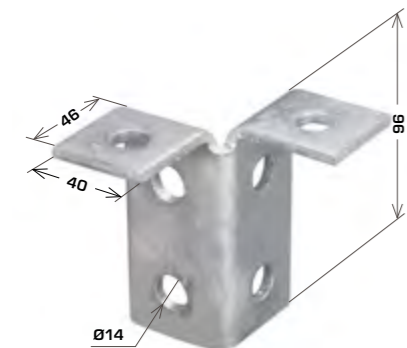
Z SHAPED BRACKET

CODE	DESCRIPTION	PACK QTY	FINISH
FDG4045G	40 x 25 x 95	10	Galv

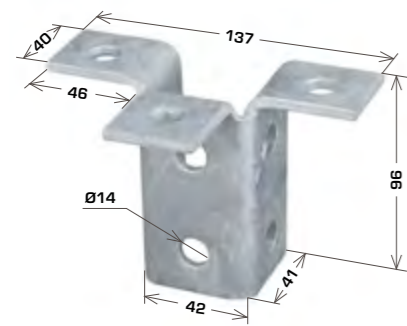




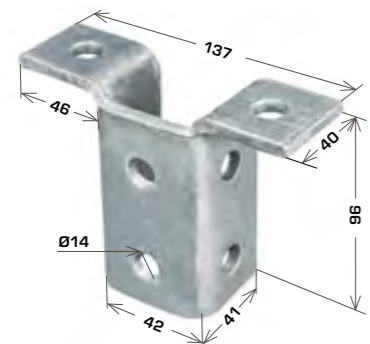
WING SHAPED BRACKET			
CODE	DESCRIPTION	PACK QTY	FINISH
FDG2223G	46 x 51	1	Galv



WING SHAPED BRACKET			
CODE	DESCRIPTION	PACK QTY	FINISH
FDG2224G	46 x 96	1	Galv



WING SHAPED BRACKET			
CODE	DESCRIPTION	PACK QTY	FINISH
FDG2228G	46 x 96 x 137	200	Galv



WING SHAPED BRACKET			
CODE	DESCRIPTION	PACK QTY	FINISH
FDG2346G	46 x 96 x 137	1	Galv

BEAM CLAMPS FOR THREADED ROD

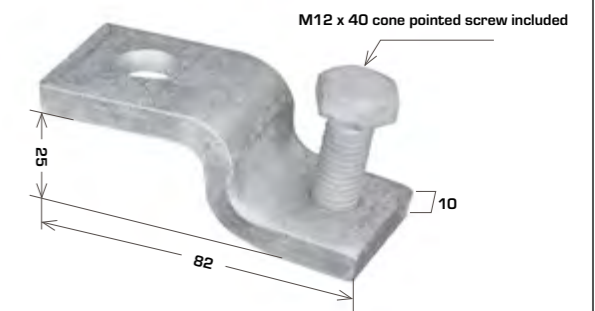
CODE	DESCRIPTION	PACK QTY
FDGUCBCH10	M10	50
FDGUCBCH12	M12	50



BEAM CLAMP

CODE	DESCRIPTION	PACK QTY
FDG1379	82 x 25	20

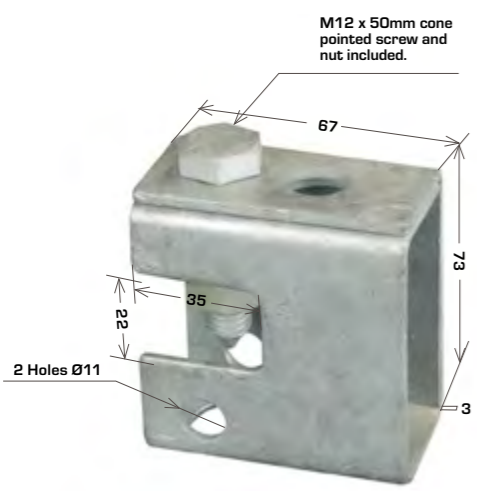
*Use in pairs only



UNIVERSAL JOINT

CODE	DESCRIPTION	PACK QTY	FINISH
FDGUJ-3PCE-10	M10	25	Zinc
FDGUJ-3PCE-12	M12	25	Zinc





M12 x 50mm cone pointed screw and nut included.

67

73

35

23


2 Holes Ø11

3

SWIVEL BEAM CLAMP			
CODE	DESCRIPTION	PACK QTY	FINISH
FDG2676G	67 x 73	1	Galv

BEAM CLAMPS - ADJUSTABLE		
CODE	DESCRIPTION	PACK QTY
FDG2785G	76 x 86	10
FDG2786G	76 x 127	10

*Use in pairs only



76

22

86

127

6



3

64


32

M10 x 50 Screw, nut and lock washer included

HANGER FOR FDG2676G			
CODE	DESCRIPTION	PACK QTY	FINISH
FDG2683G	64 x 32	1	Galv

BEAM CLAMPS - LOCKING		
CODE	DESCRIPTION	PACK QTY
FDG1386G	13 x 48	20

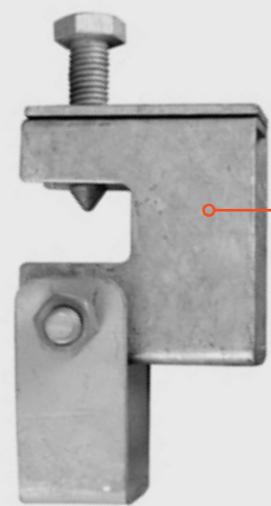
*Use in pairs only




13

48

6

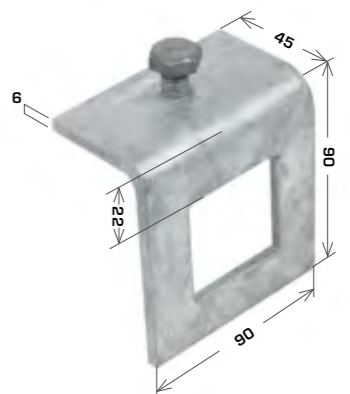


**The Combination of
BEAM CLAMP and HANGER.**



BEAM CLAMPS - WINDOW BRACKET		
CODE	DESCRIPTION	PACK QTY
FDG1796G	Window Bracket	20

*Use in pairs only



45

22

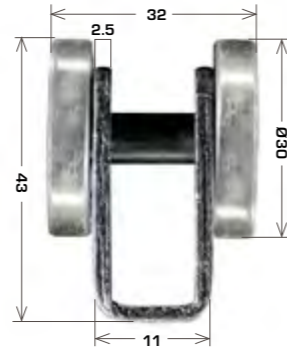
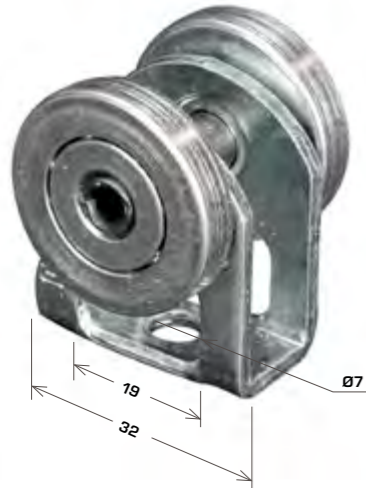
90

6



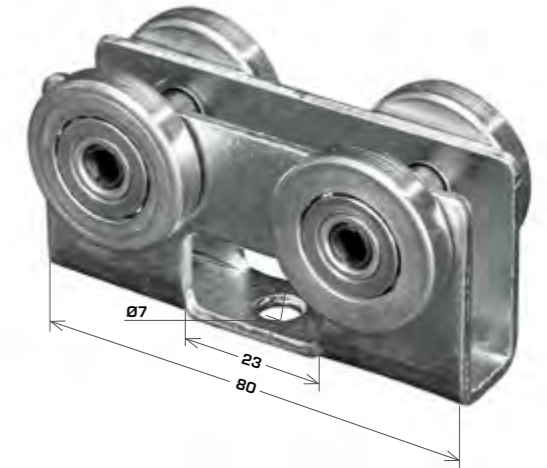
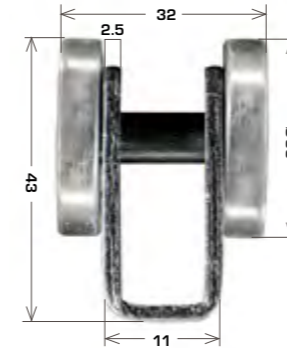
TROLLEY ASSEMBLY - SINGLE

CODE	DESCRIPTION	PACK QTY	FINISH
FDG2749G	32 x 43	1	Galv



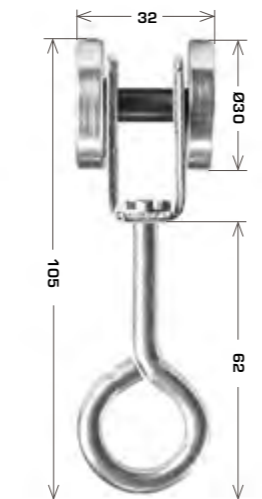
TROLLEY ASSEMBLY

CODE	DESCRIPTION	PACK QTY	FINISH
FDG2750G	32 x 43	1	Galv



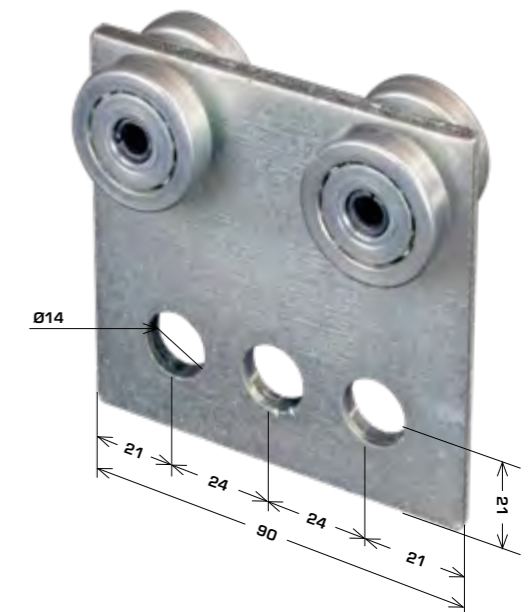
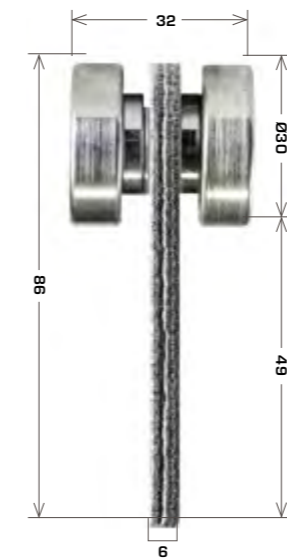
TROLLEY ASSEMBLY

CODE	DESCRIPTION	PACK QTY	FINISH
FDG2751G	32 x 105	1	Galv



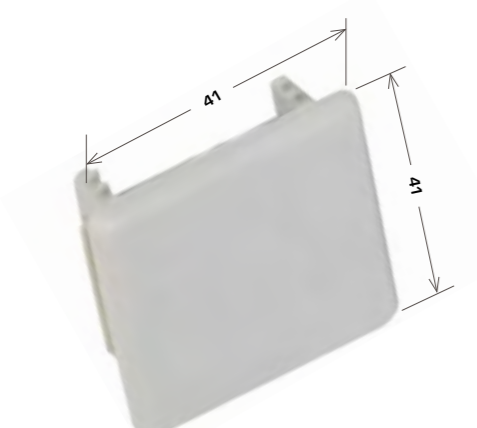
TROLLEY ASSEMBLY

CODE	DESCRIPTION	PACK QTY	FINISH
FDG2950G	32 x 98	1	Galv






STRUT COVER			
CODE	TYPE	LENGTH	PACK QTY
SC41X3	Plastic	3 Metre	10

STRUT END CAP		
CODE	TYPE	PACK QTY
SSE41X41	Plastic	10



STRUT END CAP		
CODE	TYPE	PACK QTY
SSE41X21	Plastic	10


CABLE TRAY			
CODE	DESCRIPTION	PACK QTY	FINISH
FDG-CT3150PG	150 X 50 X 3000	1	Pre-Galv & HDG
FDG-CT3300PG	300 X 50 X 3000	1	Pre-Galv & HDG
FDG-CT3450PG	450 X 50 X 3000	1	Pre-Galv & HDG
FDG-CT3600PG	600 X 50 X 3000	1	Pre-Galv & HDG

**Tray covers and Barrier Strip also available on request.*




CABLE TRAY CORNER BRACKET			
CODE	DESCRIPTION	PACK QTY	FINISH
FDG-CT3TXH	50 X 150	1	Pre Galv & HDG







RADIUS PLATE (BENDS) - ADJUSTABLE			
CODE	DESCRIPTION	PACK QTY	FINISH
FDG-CT3RP	50 X 3000	1	Pre Galv & HDG



SPLICE BOLT M10 Z/P			
CODE	DESCRIPTION	PACK QTY	FINISH
FDG-CTS810Z	M10	1	Zinc & HDG


SPLICE FLANGE NUT M10 Z/P			
CODE	DESCRIPTION	PACK QTY	FINISH
FDG-CTSN10Z	M10	1	Zinc & HDG



CABLE TRAY SPLICE PLATE			
CODE	DESCRIPTION	PACK QTY	FINISH
FDG-CT3S	45 X 180	1	Pre Galv & HDG




SIDE HOLD DOWN			
CODE	DESCRIPTION	PACK QTY	FINISH
FDG-CT3HD	50 x 30	1	Pre Galv & HDG



LINK/RISER PLATE			
CODE	DESCRIPTION	PACK QTY	FINISH
FDG-CT3RL	100 x 25	1	Pre Galv & HDG



CENTRE HOLD DOWN			
CODE	DESCRIPTION	PACK QTY	FINISH
FDG-CHDC	50 x 55	1	Pre Galv & HDG



CABLE CONTAINMENT

From heavy duty Cable Ladders to light weight Trays and Baskets, FDG is your go to partner for supporting your cable requirements. Check out our range below.



CABLE TRAY

Cable Tray is typically the most popular choice when running cable, allowing you to not only support but organise.

FDG Cable tray comes in 3m lengths and a range of widths between 150mm and 600mm. For any exposed or decorative Cable Tray, this can be powder coated any colour for added effect.

**Available in a range of laying depths and finishes, including Pre-Calv, HDG and Stainless.*



CABLE LADDER

FDG Cable Ladder is designed to support heavy high-voltage cable. Available in Aluminium, HDG and Stainless, it comes in several different load ratings and cable laying depths. All tested to confirm with NEMA Standards, this full range includes risers and bends.

FDG's Cable Ladder comes in 6m lengths and in widths between 150mm and 900mm.



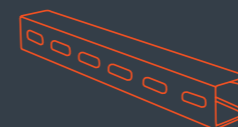
SUPPORTS



CABLE BASKET

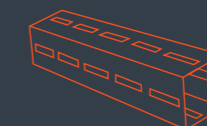
Cable basket is typically used to support light weight and data cable. It's key benefits include speedy installation and excellent cable ventilation. FDG's Cable Basket comes in 3m lengths and widths between 50mm and 600mm. A full range of fittings and accessories are also available.

**Available in a range of laying depths and finishes, including Pre-Calv, HDG and Stainless.*



STRUT

FDG's Strut is also used in combination with cable supports solutions, offering extra strength and bracing. One of the highlights of the FDG Strut system is its ease of installation, which gives a time and money saving alternative to traditional support methods.



MODFRAME

FDG's ModFrame is a Modular Framing System ideally suited to supporting cable ladders, large pipework and multi-service brackets. This time saving system eliminates the need for welding, drilling, and galvanizing. A heavy duty compliment to cable support solutions.

