



# ***PRODUCT CATALOGUE***

V4.5



## CONTENTS

ABOUT FDG	4
STRUT	8
CABLE CONTAINMENT	42
MODFRAME	70
PIPE CLAMPS	92
INSULATION	114
VLOCK	124
ANCHORS	132
THREADED ROD	146
NUTS, BOLTS & WASHERS	150
SCREWS	172
TOOLS & ACCESSORIES	180
TECHNICAL DATA	202

**KEEPING BUSINESS'S  
MOVING & MAKING**

 [www.fdg.nz.com](http://www.fdg.nz.com)  
 [sales@fdg.nz.com](mailto:sales@fdg.nz.com)  
 0800 555 464

## ABOUT US

### Who

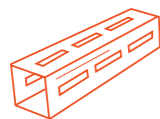
FDG is a NZ Owned, Family business incorporating 3 generations of the Brodie Family. With over 40 years experience our focus is on providing effective solutions not just selling products, which is why we have become the preferred supplier for some of New Zealand's most prestigious construction and engineering projects. We strive to keep businesses 'moving and making', bringing an energetic and proactive approach to every job, big or small. We aim to add value to your business through our trusted relationships with key suppliers, engineers and industry experts, so that FDG becomes your 'Go-To' supplier for Support Solutions.

### Why

FDG's wide product range focuses primarily on the building services trades. We stock an extensive range of strut and fittings, fasteners, pipe and cable supports, workshop tools and a full range of consumables. One of our unique support solutions is our German manufactured modular framing (ModFrame) which supports heavy pipework, HVAC Duct and Cable Support Systems. Our promise to you is 'if we don't have it, we will find it or use our expertise to offer an alternative'.

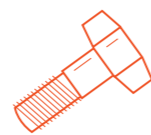
### What

As a key supplier to the building services trades we understand that time is money and it's often the little things that can cost you. That's why FDG have tailored a unique product range that combines multiple suppliers into one, bringing significant value to the industry. We customize solutions for our customers, matching the right product and service to the specific requirements of the project. Our engineering but also practical experience in the field gives the confidence to bring us in at the planning stage, partnering with you to minimize risk and keep you moving and making.



#### SUPPORT SOLUTIONS

FDG offers technical design services and the supply of seismic restraint systems for non-structural components such as Mechanical, HVAC, Medical Gas, Hydraulic Plumbing, Electrical and Fire.



#### GENERAL FASTENERS

With a direct to market model FDG imports and supplies to the Engineering, Construction and Manufacturing sectors, offering a wide range of fasteners and associated products.



## KEEPING BUSINESS'S MOVING & MAKING WITH **ONSITE DELIVERY**

Our commitment to keeping our customers moving and making, drives us to make sure they have the right stock when and where they need delivery direct to workshop or site.

With an expansion of our delivery fleet, FDG now service the Auckland region twice a day and we also service the Whangarei, Hamilton, and Tauranga regions on a regular basis. For other regions we have partnered with a network of major nationwide transport companies to ensure your deliveries are completed quickly and easily.

This is all supported by our in-house delivery service team who ensures an efficient and safe transfer of product to your workshop or site. This is tracked at every point of the process, giving you the confidence the product will arrive on time and to your requirements.



## SECTORS WE SERVE

FDG are committed to keeping our customers moving and making with a wide range of General Fasteners and Support Solutions. We are the chosen supplier to the following industries:



COMMERCIAL HVAC



ELECTRICAL



INFRASTRUCTURE



PLUMBING



INTERIORS



MANUFACTURING/  
ENGINEERING

## SEISMIC DESIGN

FDG has a unique seismic design offering, partnering with our clients to deliver the best results and meet their project goals.

We ensure the requirements of the project are understood, confirming that cost, design and buildability all align. These designs are produced and finalised by a Registered Engineer in accordance with NZS4219:2009. A full set of standard details and layout plans are provided for ease of use onsite. The final PS4 is issued by the Engineer after inspecting the final installation via site visit or remotely.



## ONLINE TRADE STORE

Order Anywhere, Anytime, with FDG's Online Trade Store! It couldn't be easier to choose your stock, organise payment and have it delivered to you, wherever you are.

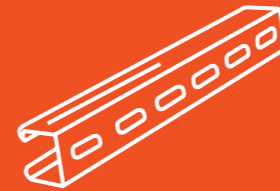
Take advantage of our extensive ranges of fasteners, pipe & electrical support systems and trade consumables online, all with your applied customer pricing. Your personalised login allows you to request quotes, store favourites and view previous and current invoices, all from your favourite device.

## ON DEMAND SUPPORT

Need a hand? Our team is ready when you are. From product selection to technical advice, FDG provides on-demand support whenever you need it - just call.

Our team combines experience, technical skill, and practical know-how to support you every step of the way. From design advice to compliance guidance, we help streamline your operations, strengthen supplier relationships, and cut unnecessary costs. Whether you need product assistance or full technical design support for non-structural framing and seismic bracing, FDG is ready when you call.





## **STRUT**

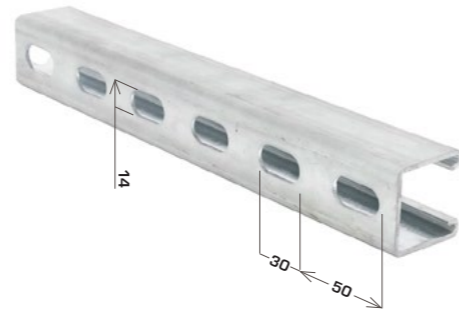
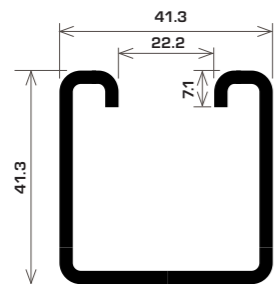
<b>CHANNEL</b>	<b>10</b>
<b>STRUT NUTS</b>	<b>15</b>
<b>CANTILEVER BRACKETS</b>	<b>17</b>
<b>BASE PLATES</b>	<b>18</b>
<b>STRUT BRACKETS</b>	<b>20</b>
<b>BEAM CLAMPS</b>	<b>35</b>
<b>TROLLEYS</b>	<b>38</b>
<b>STRUT COVERS &amp; END CAPS</b>	<b>40</b>

**KEEPING BUSINESS'S  
MOVING & MAKING**

 [www.fdg.nz.com](http://www.fdg.nz.com)  
 [sales@fdg.nz.com](mailto:sales@fdg.nz.com)  
 0800 555 464

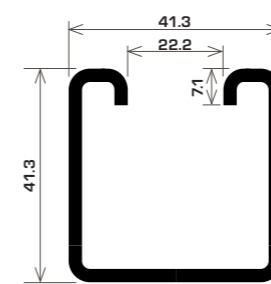
## SLOTTED STRUT 41 X 41 X 2.5 X 6

CODE	FINISH	SIZE MM	LENGTH
FDG1000TP	Pre-Galv	41 x 41 x 2.5	6m
FDG1000TG	HDG	41 x 41 x 2.5	6m
FDG1000TSS	Stainless	41 x 41 x 2.5	6m
FDG1000TB	Black	41 x 41 x 2.5	6m



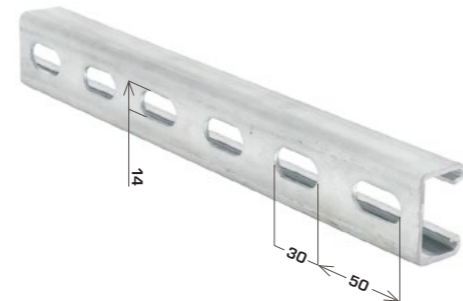
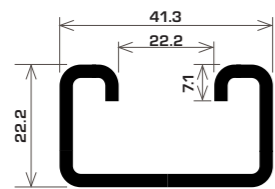
## SOLID STRUT 41 X 41 X 2.5 X 6

CODE	FINISH	SIZE MM	LENGTH
FDG1000P	Pre-Galv	41 x 41 x 2.5	6m
FDG1000G	HDG	41 x 41 x 2.5	6m
FDG1000SS	Stainless	41 x 41 x 2.5	6m
FDG1000B	Black	41 x 41 x 2.5	6m



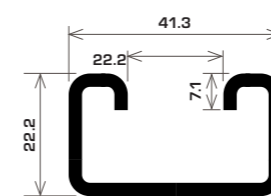
## SLOTTED STRUT 41 X 21 X 2.5 X 6

CODE	FINISH	SIZE MM	LENGTH
FDG3000TP	Pre-Galv	41 x 21 x 2.5	6m
FDG3000TG	HDG	41 x 21 x 2.5	6m
FDG3000TSS	Stainless	41 x 21 x 2.5	6m



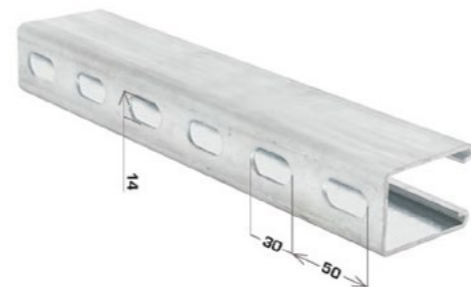
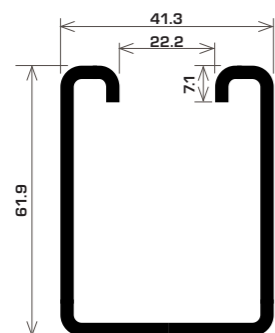
## SOLID STRUT 41 X 21 X 2.5 X 6

CODE	FINISH	SIZE MM	LENGTH
FDG3000P	Pre-Galv	41 x 21 x 2.5	6m
FDG3000G	HDG	41 x 21 x 2.5	6m
FDG3000SS	Stainless	41 x 21 x 2.5	6m



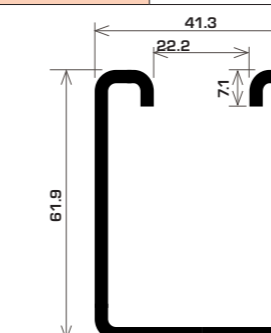
## SLOTTED STRUT 41 X 61 X 2.5 X 6

CODE	FINISH	SIZE MM	LENGTH
FDG5000TP	Pre-Galv	41 x 61 x 2.5	6m
FDG5000TG	HDG	41 x 61 x 2.5	6m
FDG5000TSS	Stainless	41 x 61 x 2.5	6m



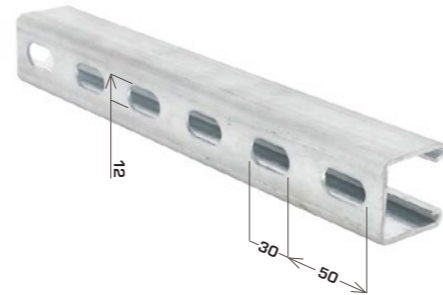
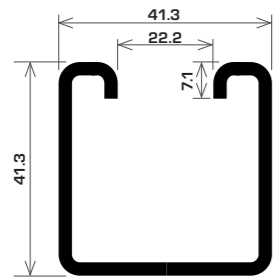
## SOLID STRUT 41 X 61 X 2.5 X 6

CODE	FINISH	SIZE MM	LENGTH
FDG5000P	Pre-Galv	41 x 61 x 2.5	6m
FDG5000G	HDG	41 x 61 x 2.5	6m
FDG5000SS	Stainless	41 x 61 x 2.5	6m



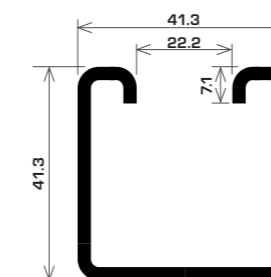
## SLOTTED STRUT 41 X 41 X 2.5 X 3

CODE	FINISH	SIZE MM	LENGTH
FDG1000TP-3M	Pre-Galv	41 x 41 x 2.5	3m
FDG1000TG-3M	HDG	41 x 41 x 2.5	3m
FDG1000TSS-3M	Stainless	41 x 41 x 2.5	3m



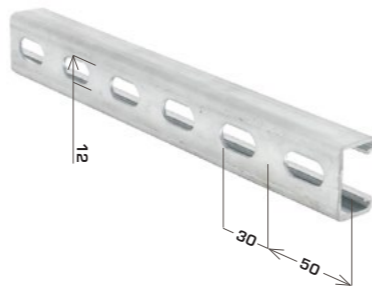
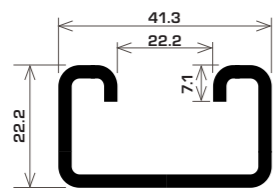
## SOLID STRUT 41 X 41 X 2.5 X 3

CODE	FINISH	SIZE MM	LENGTH
FDG1000P-3M	Pre-Galv	41 x 41 x 2.5	3m
FDG1000G-3M	HDG	41 x 41 x 2.5	3m
FDG1000SS-3M	Stainless	41 x 41 x 2.5	3m



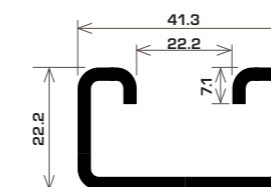
## SLOTTED STRUT 41 X 21 X 2.5 X 3

CODE	FINISH	SIZE MM	LENGTH
FDG3000TP-3M	Pre-Galv	41 x 21 x 2.5	3m
FDG3000TG-3M	HDG	41 x 21 x 2.5	3m
FDG3000TSS-3M	Stainless	41 x 21 x 2.5	3m



## SOLID STRUT 41 X 21 X 2.5 X 3

CODE	FINISH	SIZE MM	LENGTH
FDG3000P-3M	Pre-Galv	41 x 21 x 2.5	3m
FDG3000G-3M	HDG	41 x 21 x 2.5	3m
FDG3000SS-3M	Stainless	41 x 21 x 2.5	3m

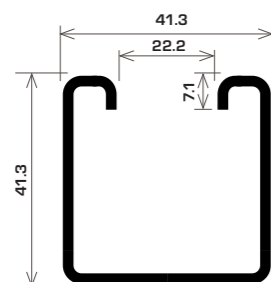


## SOLID STRUT 41 X 41 X 1.6 X 6

CODE	FINISH	SIZE MM	LENGTH
FDG2000A	Aluminium	41 x 41 x 1.6	6m
FDG2000P	Pre-Galv	41 x 41 x 1.6	6m
FDG2000G	HDG	41 x 41 x 1.6	6m

## SLOTTED STRUT 41 X 41 X 1.6 X 6

CODE	FINISH	SIZE MM	LENGTH
FDG2000TA	Aluminium	41 x 41 x 1.6	6m
FDG2000TP	Pre-Galv	41 x 41 x 1.6	6m
FDG2000TG	HDG	41 x 41 x 1.6	6m

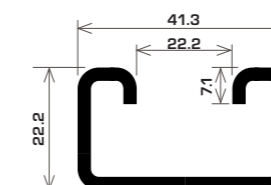


## SOLID STRUT 41 X 21 X 1.6 X 6

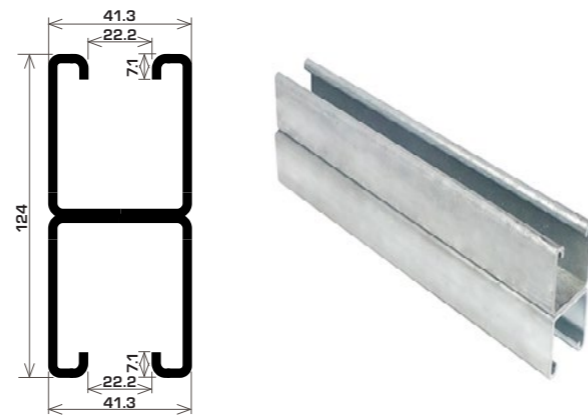
CODE	FINISH	SIZE MM	LENGTH
FDG4000A	Aluminium	41 x 21 x 1.6	6m
FDG4000P	Pre-Galv	41 x 21 x 1.6	6m
FDG4000G	HDG	41 x 21 x 1.6	6m

## SLOTTED STRUT 41 X 21 X 1.6 X 6

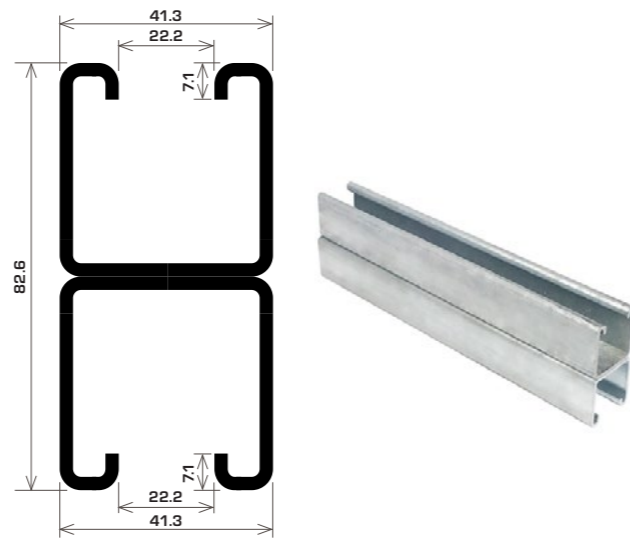
CODE	FINISH	SIZE MM	LENGTH
FDG4000TA	Aluminium	41 x 21 x 1.6	6m
FDG4000TP	Pre-Galv	41 x 21 x 1.6	6m
FDG4000TG	HDG	41 x 21 x 1.6	6m



SOLID STRUT 41 X 124 X 2.5 X 6			
CODE	FINISH	SIZE MM	LENGTH
FDG5001G	HDG	41 x 124 x 2.5	6m

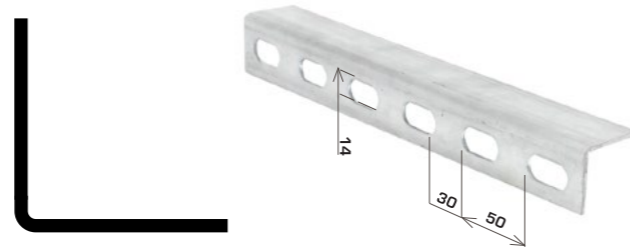


SOLID STRUT 41 X 82 X 2.5 X 6			
CODE	FINISH	SIZE MM	LENGTH
FDG1001P	Pre-Galv	41 x 82 x 2.5	6m
FDG1001G	HDG	41 x 82 x 2.5	6m
FDG1001B	Black	41 x 82 x 2.5	6m
FDG1001SS	Stainless	41 x 82 x 2.5	6m

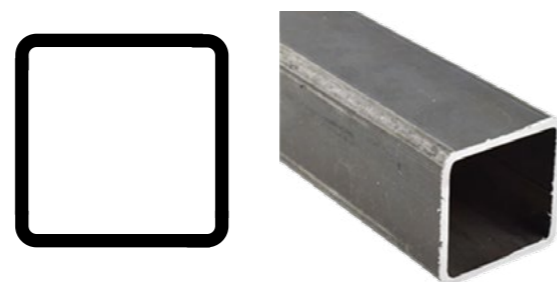


SLOTTED STRUT 41 X 82 X 2.5 X 6			
CODE	FINISH	SIZE MM	LENGTH
FDG1001TP	Pre-Galv	41 x 82 x 2.5	6m
FDG1001TG	HDG	41 x 82 x 2.5	6m
FDG1001TB	Black	41 x 82 x 2.5	6m
FDG1001TSS	Stainless	41 x 82 x 2.5	6m

SLOTTED ANGLE			
CODE	FINISH	SIZE MM	LENGTH
FDG15050G	HDG	50 x 50 x 5	6m
FDG15050P	Pre-Galv	50 x 50 x 5	6m



SHS			
CODE	FINISH	SIZE MM	LENGTH
SHS50X3X8	Mild Steel	MM 50 x 50 x 3	8m
SHS50X4X8	Mild Steel	MM 50 x 50 x 4	8m
SHS50X5X8	Mild Steel	MM 50 x 50 x 5	8m
SHS50X6X8	Mild Steel	MM 50 x 50 x 6	8m
SHS65X3X8	Mild Steel	MM 65 x 65 x 3	8m
SHS65X4X8	Mild Steel	MM 65 x 65 x 4	8m
SHS65X5X8	Mild Steel	MM 65 x 65 x 5	8m
SHS65X6X8	Mild Steel	MM 65 x 65 x 6	8m



\*Also available in Dura Galv and HDG  
\*Other sizes also available on request

SPRING NUT			
CODE	DESCRIPTION	PACK QTY	FINISH
NUTM6SLS	M6	100	Zinc/Galv
NUTM8SLS	M8	100	Zinc/Galv/SS
NUTM10SLS	M10	100	Zinc/Galv/SS
NUTM12SLS	M12	100	Zinc/Galv/SS
NUTM16SLS	M16	100	Zinc/Galv

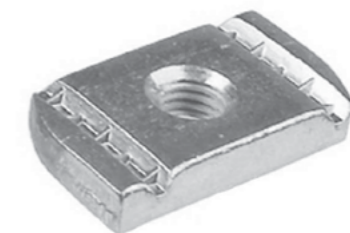
\*Short Spring Nuts also available



SHORT SPRING NUT			
CODE	DESCRIPTION	PACK QTY	FINISH
NUTM6SSS	M6	100	Zinc
NUTM8SSS	M8	100	Zinc/HDG
NUTM10SSS	M10	100	Zinc/HDG
NUTM12SSS	M12	100	Zinc/HDG

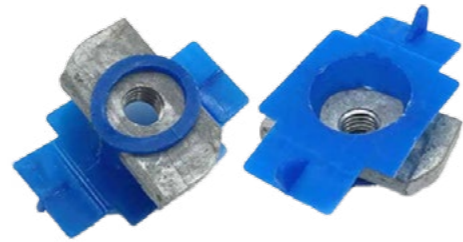


SPRING NUT WITH NO SPRING			
CODE	DESCRIPTION	PACK QTY	FINISH
NUTM6SNSZ	M6	100	Zinc
NUTM8SNSZ	M8	100	Zinc
NUTM10SNSZ	M10	100	Zinc
NUTM12SNSZ	M12	100	Zinc



## TOP HUNG SPRING NUT

CODE	DESCRIPTION	PACK QTY	FINISH
NUTM8TSNZ	M8	100	Zinc
NUTM8TSNG	M8	100	HDG
NUTM10TSNZ	M10	100	Zinc
NUTM10TSNG	M10	100	HDG
NUTM12TSNZ	M12	100	Zinc
NUTM12TSNG	M12	100	HDG



## SPEED NUT

CODE	DESCRIPTION	PACK QTY	FINISH
NUTM10SNZ	M10	100	Zinc
NUTM10SNG	M10	100	Galv
NUTM12SNZ	M12	100	Zinc



## TOP HUNG SPEED NUT

CODE	DESCRIPTION	PACK QTY	FINISH
NUTM10STZ	M10	100	Zinc



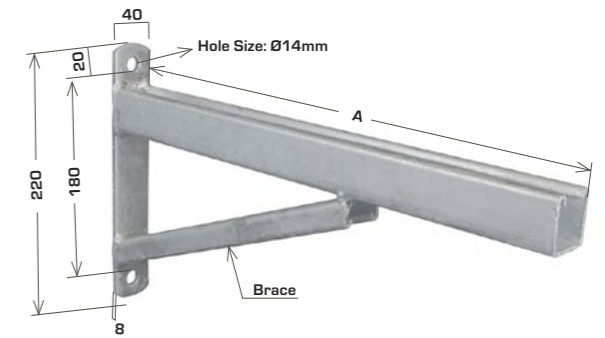
## T-NUT

CODE	DESCRIPTION	PACK QTY	FINISH
53NUTM10STZ	M10	100	Zinc



## CANTILEVER BRACKETS - BRACED (HDG)

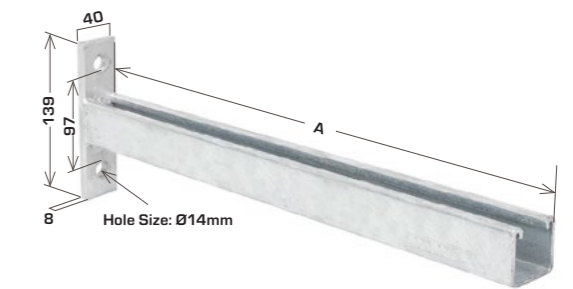
CODE	LENGTH MM (A)
FDGCB320G	320
FDGCB470G	470
FDGCB635G	635
FDGCB780G	780
FDGCB930G	930
FDGCB1080G	1080



\*Custom sizes and finishes available on request.

## CANTILEVER BRACKETS - UNBRACED (HDG)

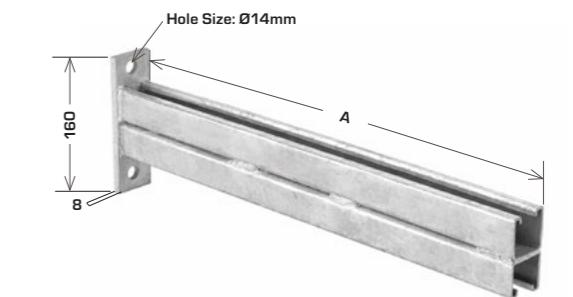
CODE	LENGTH MM (A)
FDGCBU150G	150
FDGCBU300G	300
FDGCBU450G	450
FDGCBU600G	600
FDGCBU700G	700
FDGCBU1000G	1000



\*Custom sizes and finishes available on request.

## CANTILEVER BRACKETS - BACK TO BACK

CODE	LENGTH MM (A)
FDGCB2B305G	305
FDGCB2B460G	460
FDGCB2B610G	610
FDGCB2B760G	760
FDGCB2B915G	915



\*Custom sizes and finishes available on request.

## ROD STIFFENER

CODE	DESCRIPTION	PACK QTY	FINISH
HTRS-3PCE	M10	100	Zinc/Galv
HTRS-3PCE12	M12	100	Zinc/Galv



## M8 FLANGE BEAM CLAMP - 3MM

CODE	DESCRIPTION	QTY	FINISH
53BFC	M8	100	Zinc
53BFCG	M8	100	Galv

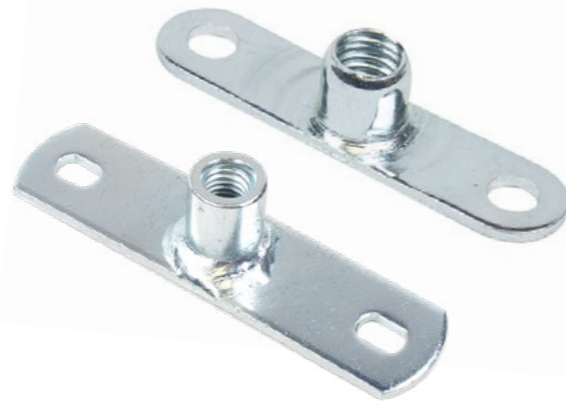


### ROD BASE PLATE PRESSED

CODE	DESCRIPTION	PACK QTY	FINISH
53BP10	M10	50	ZP & SS

### ROD BASE PLATE WELDED BOSS

CODE	DESCRIPTION	PACK QTY	FINISH
53BP10Z-B	M10	50	ZP, HDG & SS



### ROD BASE PLATE 45°

CODE	DESCRIPTION	PACK QTY	FINISH
FDGBPH10Z	M10	50	ZP & HDG

### ROD BASE PLATE 45° - 2 HOLE

CODE	DESCRIPTION	PACK QTY	FINISH
FDGBPH10Z-2H	M10	50	ZP & HDG



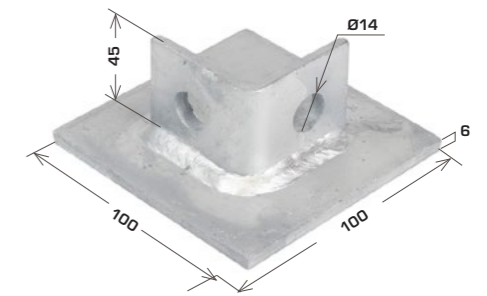
### ROD BASE PLATE VERTICAL

CODE	DESCRIPTION	PACK QTY	FINISH
FDGBPV10Z	M10	50	ZP & HDG
FDGBPV12Z	M12	50	ZP & HDG



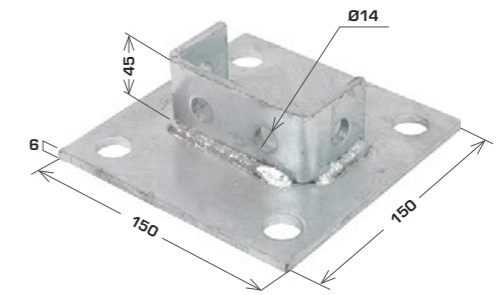
### STRUT BASE PLATE 40 X 100 (HDG)

CODE	DESCRIPTION	PACK QTY	TO SUIT
FDG2072SIG	100 x 100 x 45	20	FDG1000T



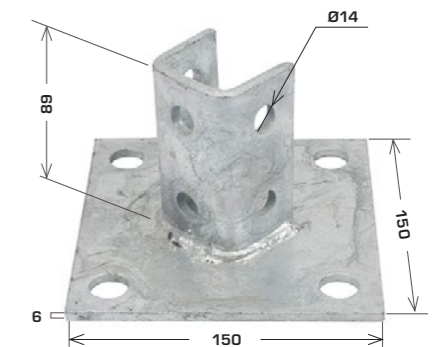
### BASE PLATE 150 ANGLE (HDG)

CODE	DESCRIPTION	PACK QTY	TO SUIT
FDG2073G	150 x 150 x 45	10	FDG3000
FDG2073SS	150 x 150 x 45	10	FDG3000



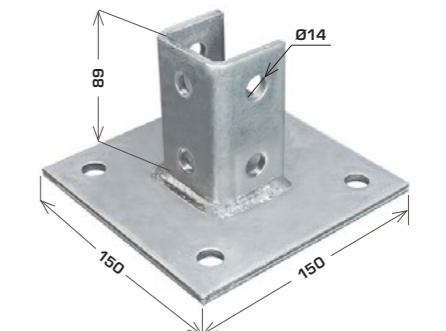
### BASE PLATE 150 ANGLE (HDG)

CODE	DESCRIPTION	PACK QTY	TO SUIT
FDG2072AG	150 x 150 x 89	10	FDG1000T



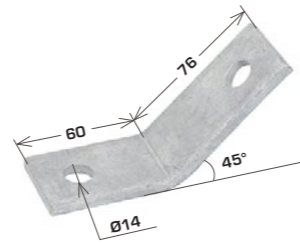
### STRUT BASE PLATE 150 SQUARE

CODE	DESCRIPTION	PACK QTY	TO SUIT	FINISH
FDG2072BG	150 x 150 x 89	10	FDG1000T	Galv
FDG2072BSS	150 x 150 x 89	10	FDG1000T	SS



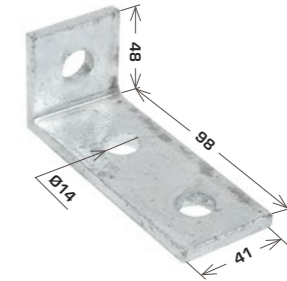
## ANGLE BRACKET - EXTERNAL ANGLE 45°

CODE	DESCRIPTION	PACK QTY	FINISH
FDG1546G	76 x 60	100	Galv
FDG1546SS	76 x 60	100	SS



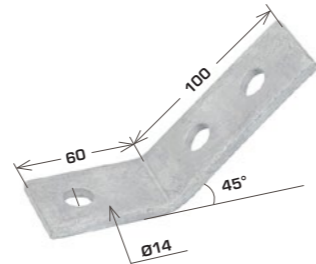
## ANGLE BRACKET - 3 HOLE

CODE	DESCRIPTION	PACK QTY	FINISH
FDG1326G	41 x 105	100	Galv
FDG1326SS	41 x 105	100	SS
FDG1346G	98 x 48	100	Galv



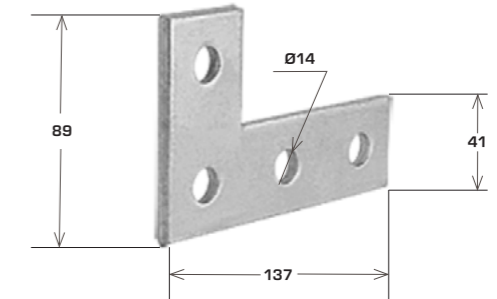
## ANGLE BRACKET - SEISMIC ANGLE 45°

CODE	DESCRIPTION	PACK QTY	FINISH
FDG1546G-3H	100 x 60	100	Galv



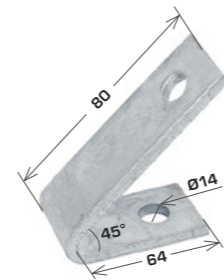
## 90° FLAT PLATE - 4 HOLE

CODE	DESCRIPTION	PACK QTY	FINISH
FDG1380AG	89 x 137	10	Galv



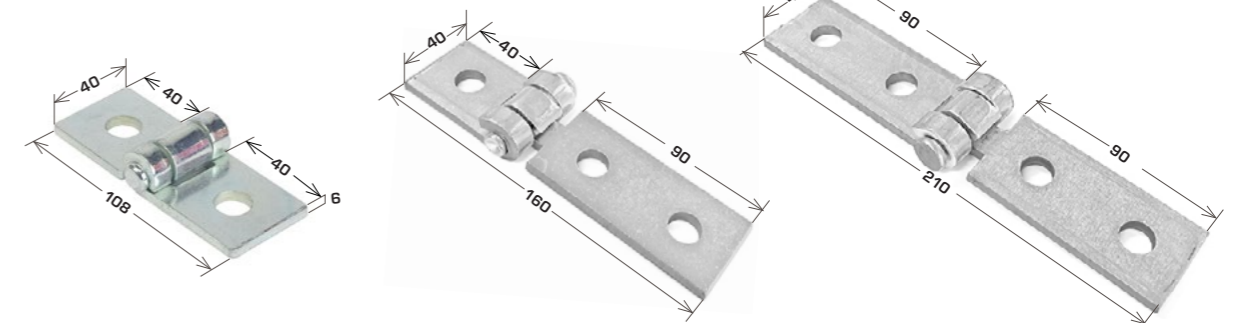
## ANGLE BRACKET - INTERNAL ANGLE 45°

CODE	DESCRIPTION	PACK QTY	FINISH
FDG1186G	80 x 64	100	Galv



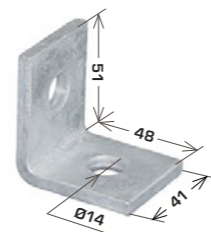
## HINGE ANGLE BRACKET

CODE	DESCRIPTION	THICKNESS	PACK QTY	FINISH
FDG1843	2 hole - 40 x 40	6mm	100	Zinc/Galv
FDG1354A	3 hole - 40 x 90	6mm	50	Zinc/Galv
FDG1354	4 hole - 90 x 90	6mm	50	Zinc/Galv



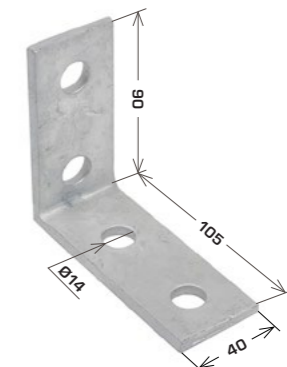
## ANGLE BRACKET - 2 HOLE

CODE	DESCRIPTION	PACK QTY	FINISH
FDG1026G	48 x 51	200	Galv
FDG1026SS	48 x 51	200	SS



## ANGLE BRACKET - 4 HOLE

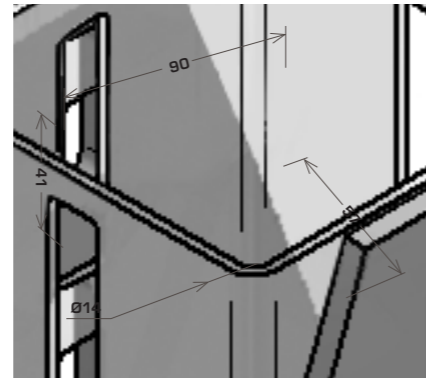
CODE	DESCRIPTION	PACK QTY	FINISH
FDG1325G	105 x 90	10	Galv





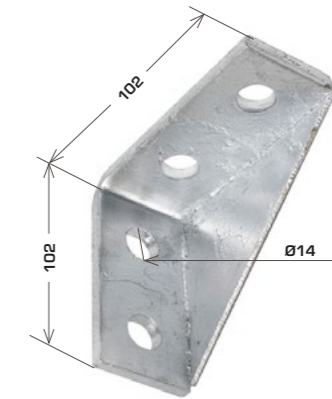
### ANGLE BRACKET - NARROW ANGLE TEE

CODE	DESCRIPTION	PACK QTY	FINISH
FDG1357G	57 x 90	10	Galv



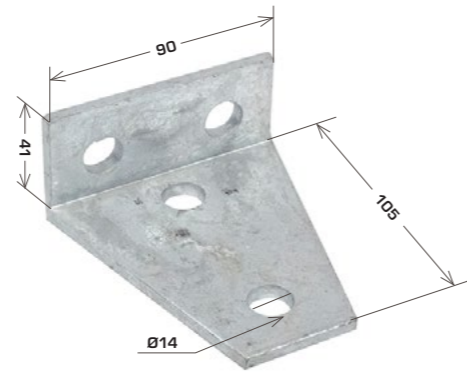
### ANGLE BRACKET - 4 HOLE BRACED

CODE	DESCRIPTION	PACK QTY	FINISH
FDG2484G	102 x 102	10	Galv



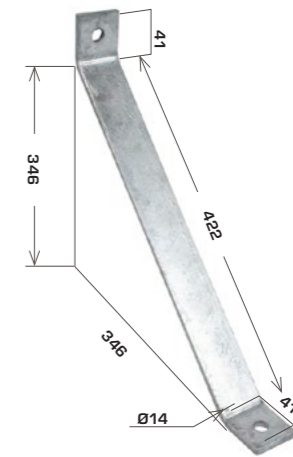
### ANGLE BRACKET - WIDE ANGLE TEE

CODE	DESCRIPTION	PACK QTY	FINISH
FDG1359G	105 x 90	10	Galv



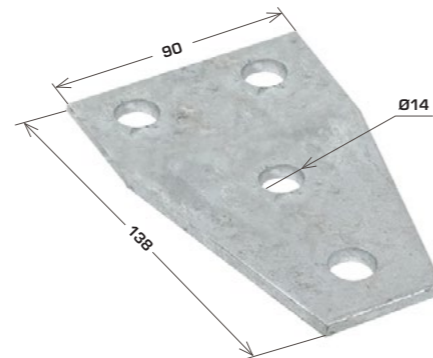
### BRACE FITTING - ANGLE BRACE

CODE	DESCRIPTION	PACK QTY	FINISH
FDG2452G	41 x 346 x 422	100	Galv



### FLAT ANGLE BRACKET

CODE	DESCRIPTION	PACK QTY	FINISH
FDG1358G	138 x 90	10	Galv

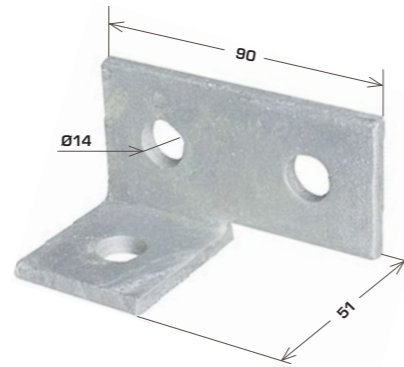


“We were initially hesitant to use ModFrame given we had never seen anything like it in the market before, but after use on one project we will never return to traditional welded frames. It cut overall costs by over 50% due to its endless flexibility and huge time saving advantages when installing on site”

Foreman  
Axis Plumbing

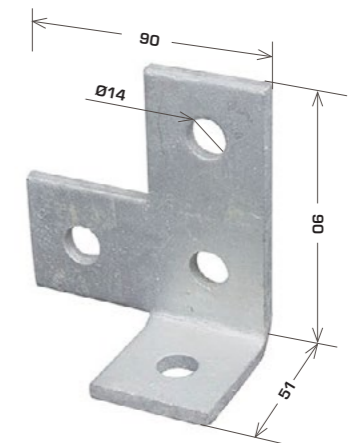
WINGED FITTING - LEFT

CODE	DESCRIPTION	PACK QTY	FINISH
FDG1038G	90 x 51	10	Galv



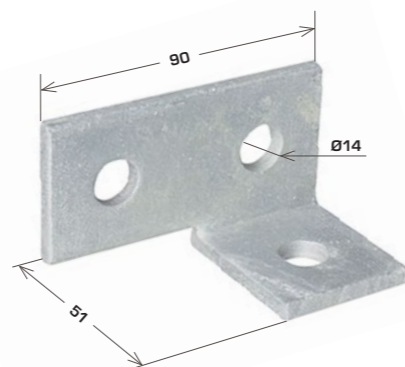
WINGED FITTING - LEFT

CODE	DESCRIPTION	PACK QTY	FINISH
FDG1034G	90 x 90 x 51	10	Galv



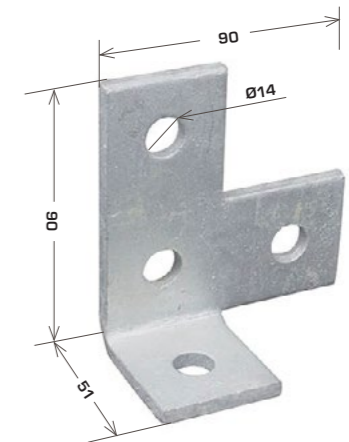
WINGED FITTING - RIGHT

CODE	DESCRIPTION	PACK QTY	FINISH
FDG1037G	90 x 51	10	Galv



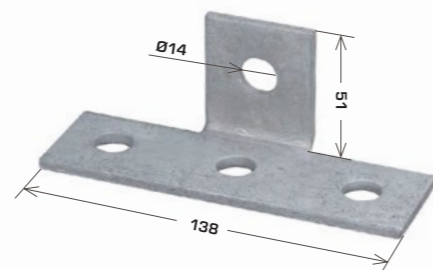
WINGED FITTING - RIGHT

CODE	DESCRIPTION	PACK QTY	FINISH
FDG1035G	90 x 90 x 51	10	Galv



WINGED FITTING - TEE

CODE	DESCRIPTION	PACK QTY	FINISH
FDG1033G	138 x 51	10	Galv



**FDG SHS**



FDG SHS provides a robust structural solution, ideal for applications where strength is required.

- Increased Structural Strength - Ideal for heavy-duty support applications.
- Versatile Usage - Perfect for frames, equipment supports, and custom assemblies.

Want technical specs, sizing options, or to see how SHS can work in your next project?

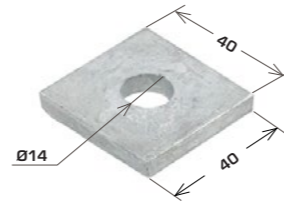
Get in touch today for more info on 0800 555 464!





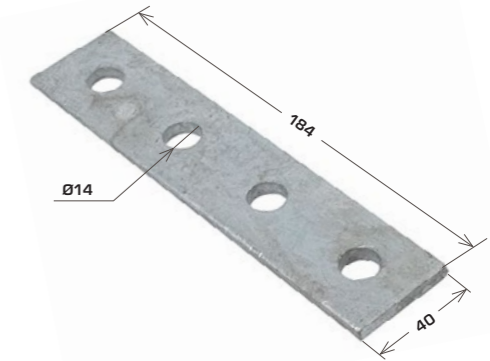
## FLAT PLATE FITTING - 1 HOLE

CODE	DESCRIPTION	PACK QTY	FINISH
W8X40SQX3	40 x 40 x 3mm x M8	100	Galv & SS
W10X40SQX3	40 x 40 x 3mm x M10	100	Galv & SS
W12X40SQX3	40 x 40 x 3mm x M12	100	Galv & SS
W16X40SQX3G	40 x 40 x 3mm x M16	100	Galv
W10X40SQX6G	40 x 40 x 6mm x M10	100	Galv
W12X40SQX6G	40 x 40 x 6mm x M12	100	Galv
W16X40SQX6G	40 x 40 x 6mm x M16	100	Galv



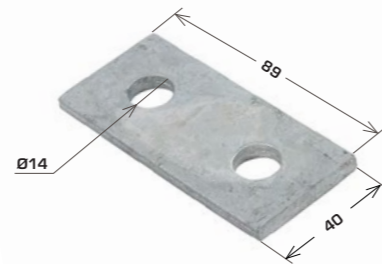
## FLAT PLATE FITTING - 4 HOLE

CODE	DESCRIPTION	PACK QTY	FINISH
FDG1067G	40 x 184	20	Galv



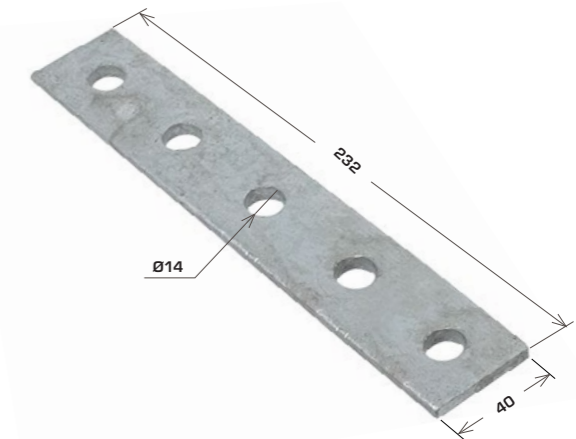
## FLAT PLATE FITTING - 2 HOLE

CODE	DESCRIPTION	PACK QTY	FINISH
FDG1065G	40 x 89	100	Galv



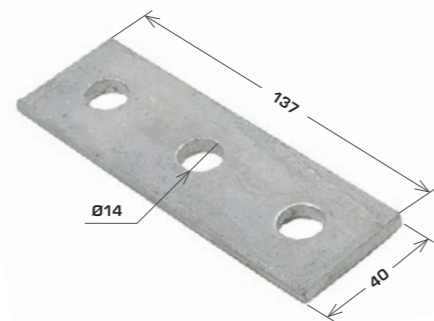
## FLAT PLATE FITTING - 5 HOLE

CODE	DESCRIPTION	PACK QTY	FINISH
FDG1941G	40 x 232	20	Galv



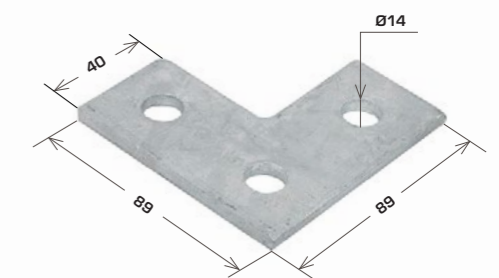
## FLAT PLATE FITTING - 3 HOLE

CODE	DESCRIPTION	PACK QTY	FINISH
FDG1066G	40 x 137	50	Galv



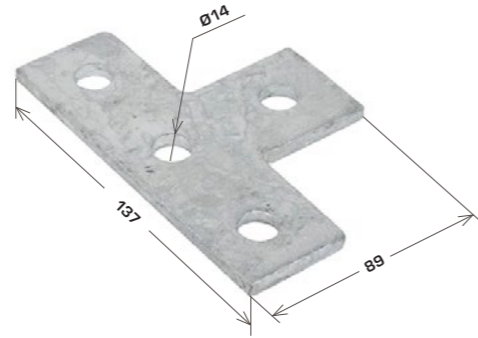
## FLAT PLATE FITTING - RIGHT ANGLE

CODE	DESCRIPTION	PACK QTY	FINISH
FDG1036G	89 x 89	20	Galv



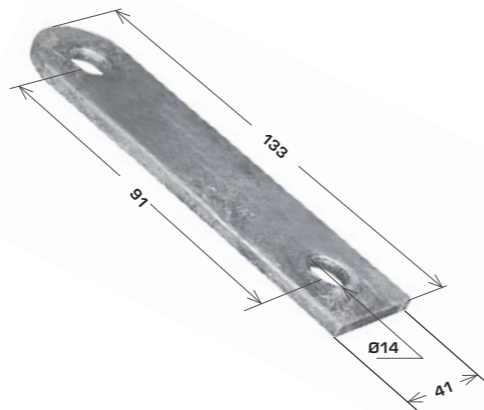
## FLAT PLATE FITTING - TEE

CODE	DESCRIPTION	PACK QTY	FINISH
FDG1031G	89 x 137	20	Galv



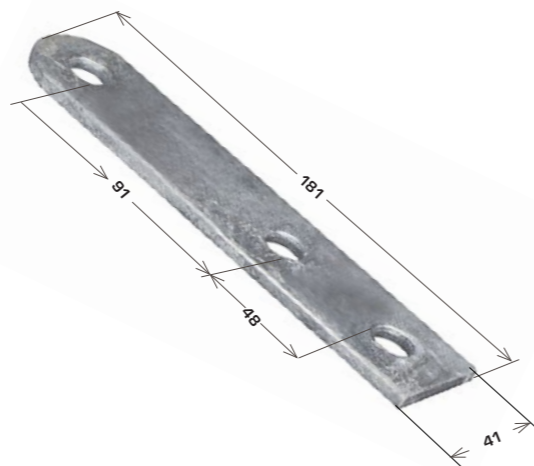
## FLAT PLATE FITTING - 2 HOLE

CODE	DESCRIPTION	PACK QTY	FINISH
FDG2325G	91 x 133	20	Galv



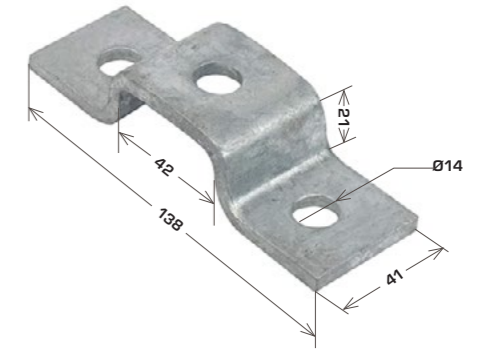
## FLAT PLATE FITTING - 3 HOLE

CODE	DESCRIPTION	PACK QTY	FINISH
FDG2324G	91 x 181	20	Galv



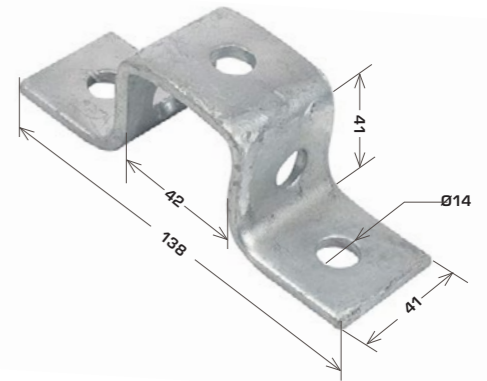
## U SHAPED BRACKET

CODE	DESCRIPTION	PACK QTY	FINISH
FDG4047G	42 x 21 x 138	40	Galv



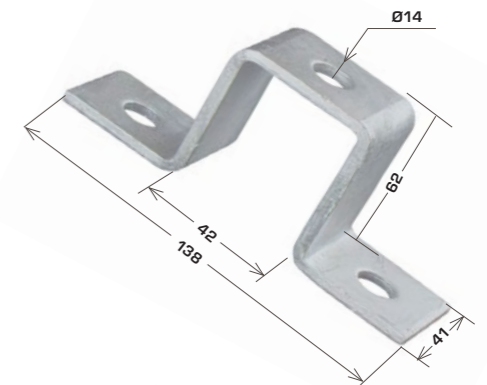
## U SHAPED BRACKET

CODE	DESCRIPTION	PACK QTY	FINISH
FDG1047G	42 x 41 x 138	20	Galv



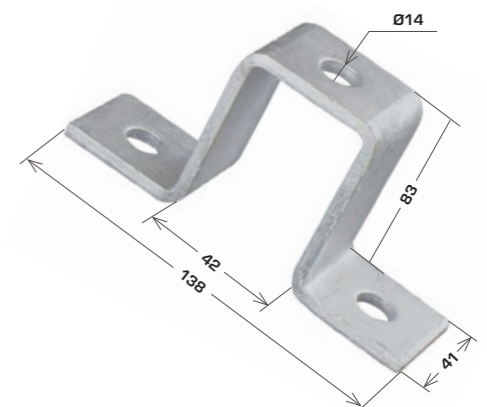
## U SHAPED BRACKET

CODE	DESCRIPTION	PACK QTY	FINISH
FDG5547G	42 x 62 x 138	10	Galv



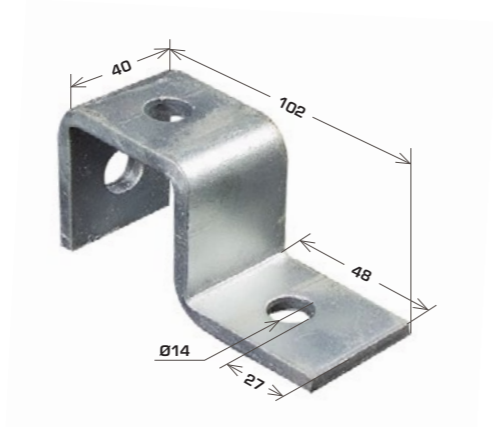
## U SHAPED BRACKET

CODE	DESCRIPTION	PACK QTY	FINISH
FDG1737G	42 x 83 x 138	10	Galv

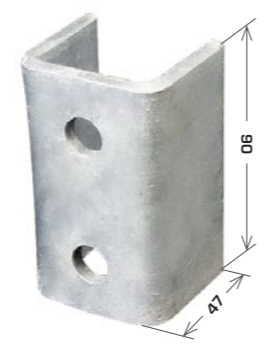




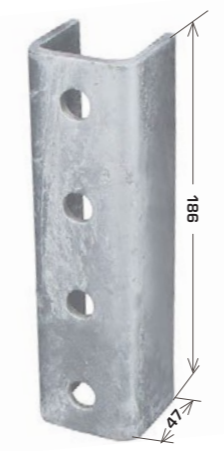
U SHAPED BRACKET			
CODE	DESCRIPTION	PACK QTY	FINISH
FDG1046G	48 x 102	10	Galv



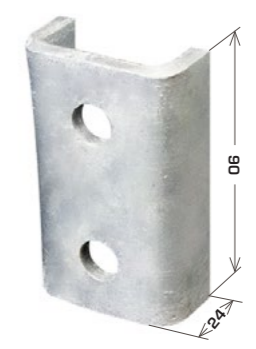
U SHAPE STRUT JOINER			
CODE	DESCRIPTION	PACK QTY	FINISH
FDG1376G	47 x 90	10	Galv



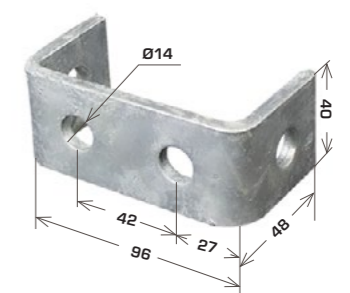
U SHAPED BRACKET			
CODE	DESCRIPTION	PACK QTY	FINISH
FDG1377G	47 x 186	10	Galv



U SHAPE STRUT JOINER			
CODE	DESCRIPTION	PACK QTY	FINISH
FDG4376G	24 x 90	1	Galv



U SHAPE STRUT JOINER			
CODE	DESCRIPTION	PACK QTY	FINISH
FDG1044G	48 x 96	1	Galv



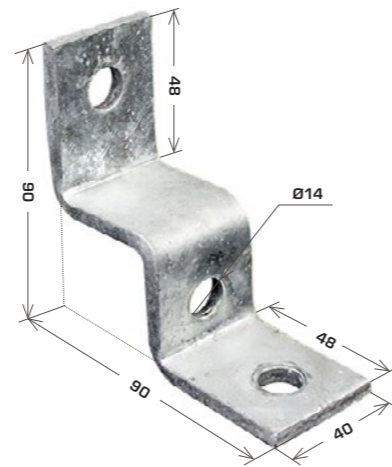
**STAY COMPLIANT**  
 WITH FDG's **C1 & C2 RATED**  
**SEISMIC ANCHORS**

Get in touch today for more info on 0800 555 464!

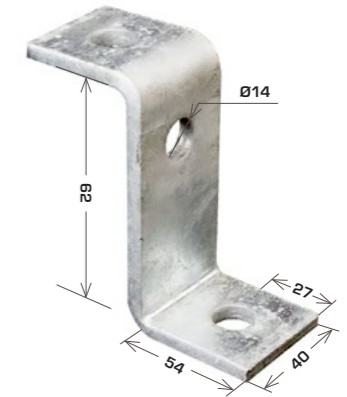




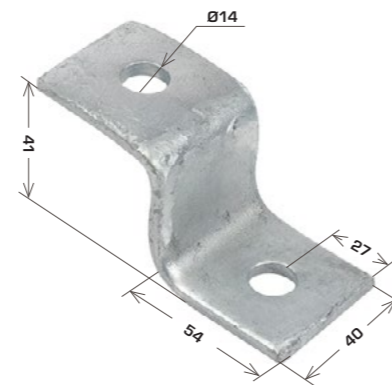
Z SHAPED BRACKET			
CODE	DESCRIPTION	PACK QTY	FINISH
FDG1736G	40 x 90 x 90	10	Galv



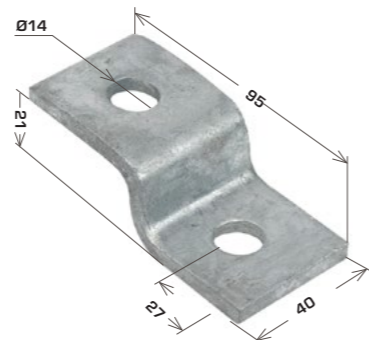
Z SHAPED BRACKET			
CODE	DESCRIPTION	PACK QTY	FINISH
FDG5545G	40 x 65 x 90	10	Galv



Z SHAPED BRACKET			
CODE	DESCRIPTION	PACK QTY	FINISH
FDG1045G	40 x 45 x 94	10	Galv

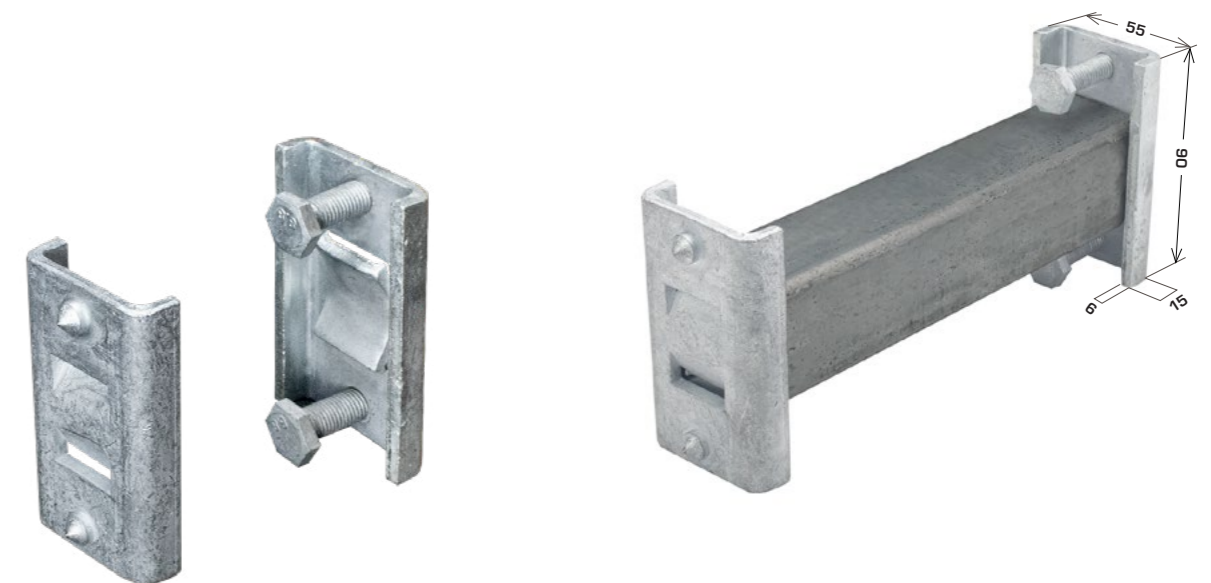


Z SHAPED BRACKET			
CODE	DESCRIPTION	PACK QTY	FINISH
FDG4045G	40 x 25 x 95	10	Galv

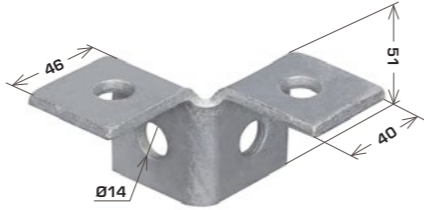


MOUNTING PLATES			
CODE	STRUT	PULLOUT LOAD	SLIP LOAD
FDG3087G	FDG1000G	4.41kN	3.53kN
FDG3087G	FDG2000G	4.41kN	1.32kN

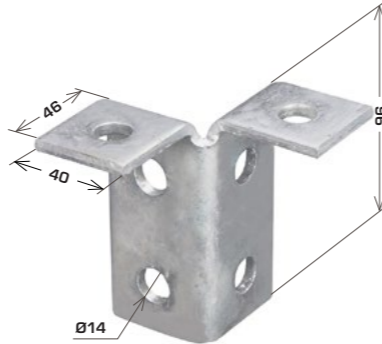
\*2 cone pointed screws included per plate



WING SHAPED BRACKET			
CODE	DESCRIPTION	PACK QTY	FINISH
FDG2223G	46 x 51	1	Galv



WING SHAPED BRACKET			
CODE	DESCRIPTION	PACK QTY	FINISH
FDG2224G	46 x 96	1	Galv



WING SHAPED BRACKET			
CODE	DESCRIPTION	PACK QTY	FINISH
FDG2228G	46 x 96 x 137	200	Galv



WING SHAPED BRACKET			
CODE	DESCRIPTION	PACK QTY	FINISH
FDG2346G	46 x 96 x 137	1	Galv



BEAM CLAMPS FOR THREADED ROD			
CODE	DESCRIPTION	PACK QTY	FINISH
FDGUCBCH10	M10	50	Zinc
FDGUCBCH12	M12	50	Zinc
FDGUCBCH10G	M10	50	Galv
FDGUCBCH12G	M12	50	Galv



BEAM CLAMP			
CODE	DESCRIPTION	PACK QTY	FINISH
FDG1379	82 x 25	20	Galv

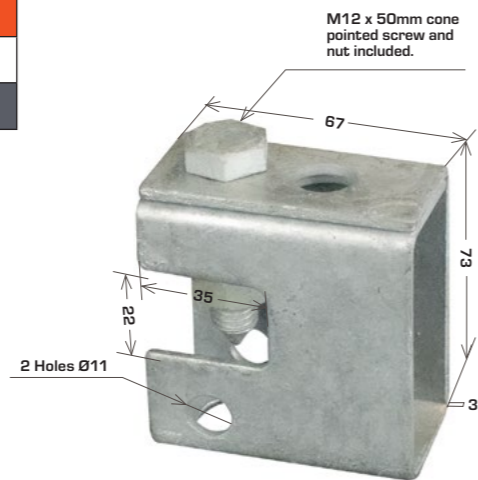
*\*Use in pairs only*



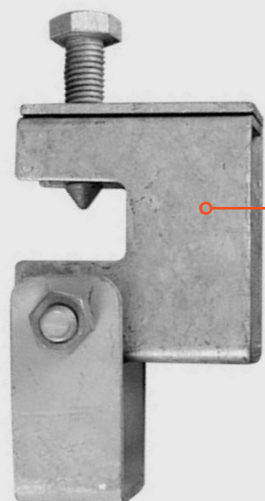
UNIVERSAL JOINT			
CODE	DESCRIPTION	PACK QTY	FINISH
FDGUJ-3PCE-10	M10	25	Zinc
FDGUJ-3PCE-12	M12	25	Zinc




SWIVEL BEAM CLAMP			
CODE	DESCRIPTION	PACK QTY	FINISH
FDG2676G	67 x 73	1	Galv



HANGER FOR FDG2676G			
CODE	DESCRIPTION	PACK QTY	FINISH
FDG2683G	64 x 32	1	Galv



The Combination of  
**BEAM CLAMP** and **HANGER**.



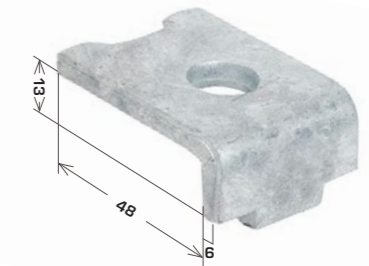
BEAM CLAMPS - ADJUSTABLE			
CODE	DESCRIPTION	PACK QTY	FINISH
FDG2785G	76 x 86	10	Galv
FDG2786G	76 x 127	10	Galv
FDG2785SS	76 x 86	10	Stainless
FDG2786SS	76 x 127	10	Stainless

\*Use in pairs only



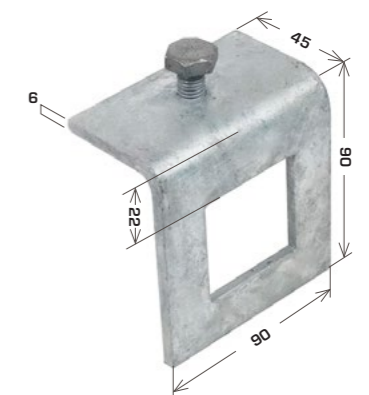
BEAM CLAMPS - LOCKING		
CODE	DESCRIPTION	PACK QTY
FDG1386G	13 x 48	20

\*Use in pairs only



BEAM CLAMPS - WINDOW BRACKET		
CODE	DESCRIPTION	PACK QTY
FDG1796G	Window Bracket	20

\*Use in pairs only

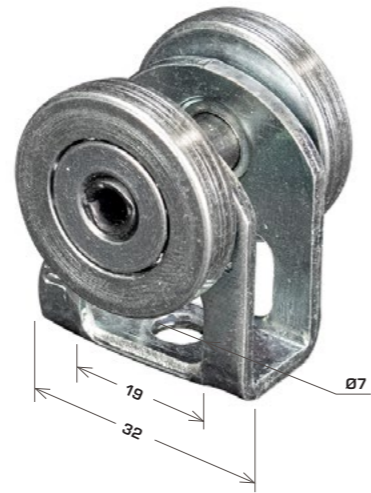
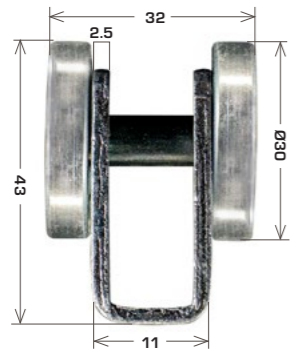


DUCT BRACKET		
CODE	DESCRIPTION	PACK QTY
FDG-BDZ10ZP	Duct Z Bracket with Grommet	1
FDG-BDL10ZP	Duct L Bracket with Grommet	1

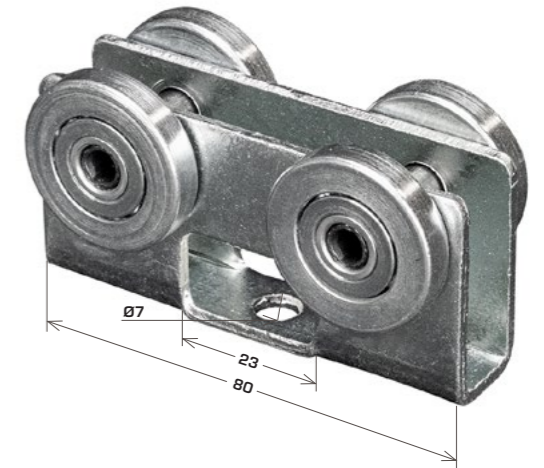
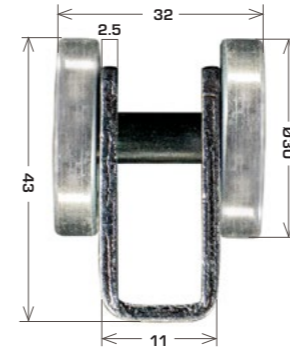




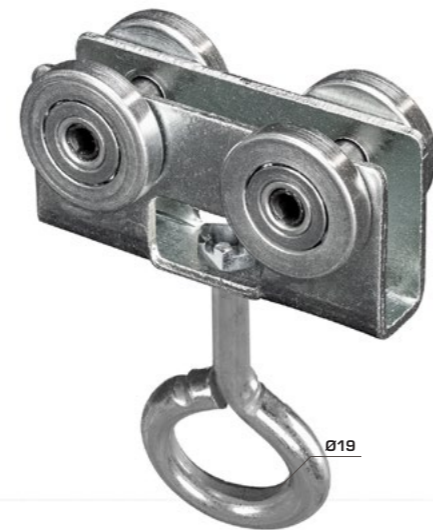
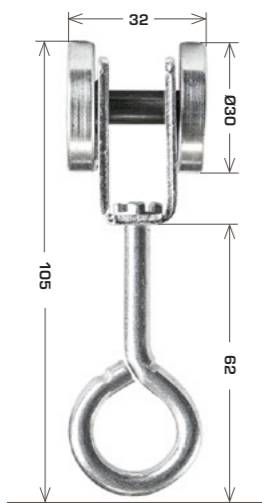
TROLLEY ASSEMBLY - SINGLE			
CODE	DESCRIPTION	PACK QTY	FINISH
FDG2749G	32 x 43	1	Galv



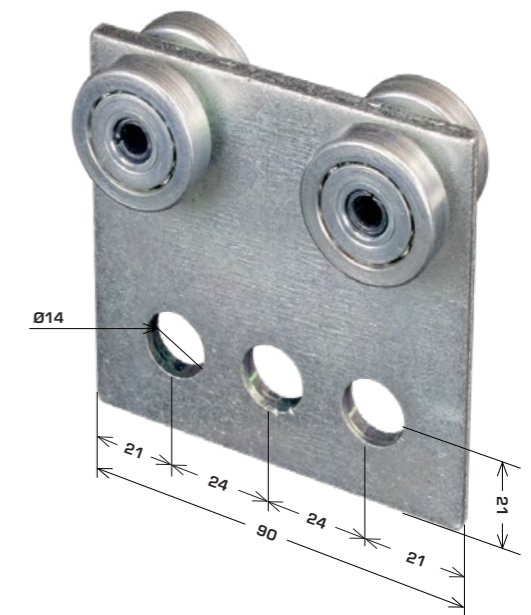
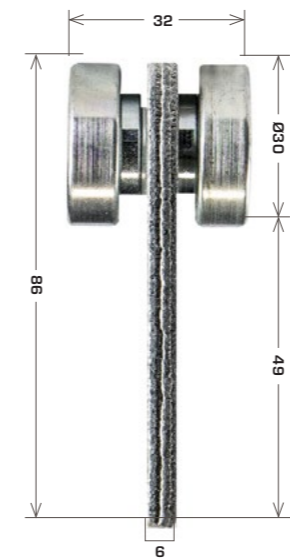
TROLLEY ASSEMBLY			
CODE	DESCRIPTION	PACK QTY	FINISH
FDG2750G	32 x 43	1	Galv



TROLLEY ASSEMBLY			
CODE	DESCRIPTION	PACK QTY	FINISH
FDG2751G	32 x 105	1	Galv

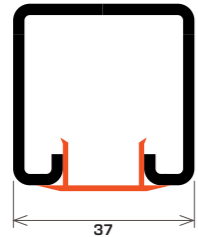



TROLLEY ASSEMBLY			
CODE	DESCRIPTION	PACK QTY	FINISH
FDG2950G	32 x 98	1	Galv





STRUT COVER			
CODE	TYPE	LENGTH	PACK QTY
SC41X3	Plastic	3 Metre	10


STRUT END CAP		
CODE	TYPE	PACK QTY
SSE41X41	Plastic	10



STRUT END CAP		
CODE	TYPE	PACK QTY
SSE41X21	Plastic	10



STRUT END CAP		
CODE	TYPE	PACK QTY
SSE41X41-B	Rubber	10



# SEISMIC DESIGN

## ABOUT SEISMIC DESIGN

At FDG, we don't just supply products - we partner with you to ensure project success. Our in-house design assistance provides tailored support that goes beyond standard supply, helping you solve complex challenges with practical, cost-effective solutions.



## KEY ADVANTAGES

- ✔ **Tailored Solutions:** Designed to meet the specific needs of your project, ensuring performance, safety, and compliance.
- ✔ **Expert Support:** From seismic design to MEP installations, to custom support solutions, our technical team brings the knowledge and precision required to deliver the right solution.
- ✔ **End-to-End Partnership:** From initial concept through to engineered design, our team is with you every step of the way, reducing project risk through a streamlined, end-to-end solution.

## ENGINEERING & DESIGN

FDG offers an engineering and design service for any frames or heavy-duty supports you require throughout your project. We will work together to co-ordinate your design and help you complete your project on-time and on budget.

A full engineering report will be supplied along with a package of layout drawings and a comprehensive bill-of-materials. Engineering data and CAD files are available upon request from the FDG Team, who can assist your internal teams with design in the early stages.



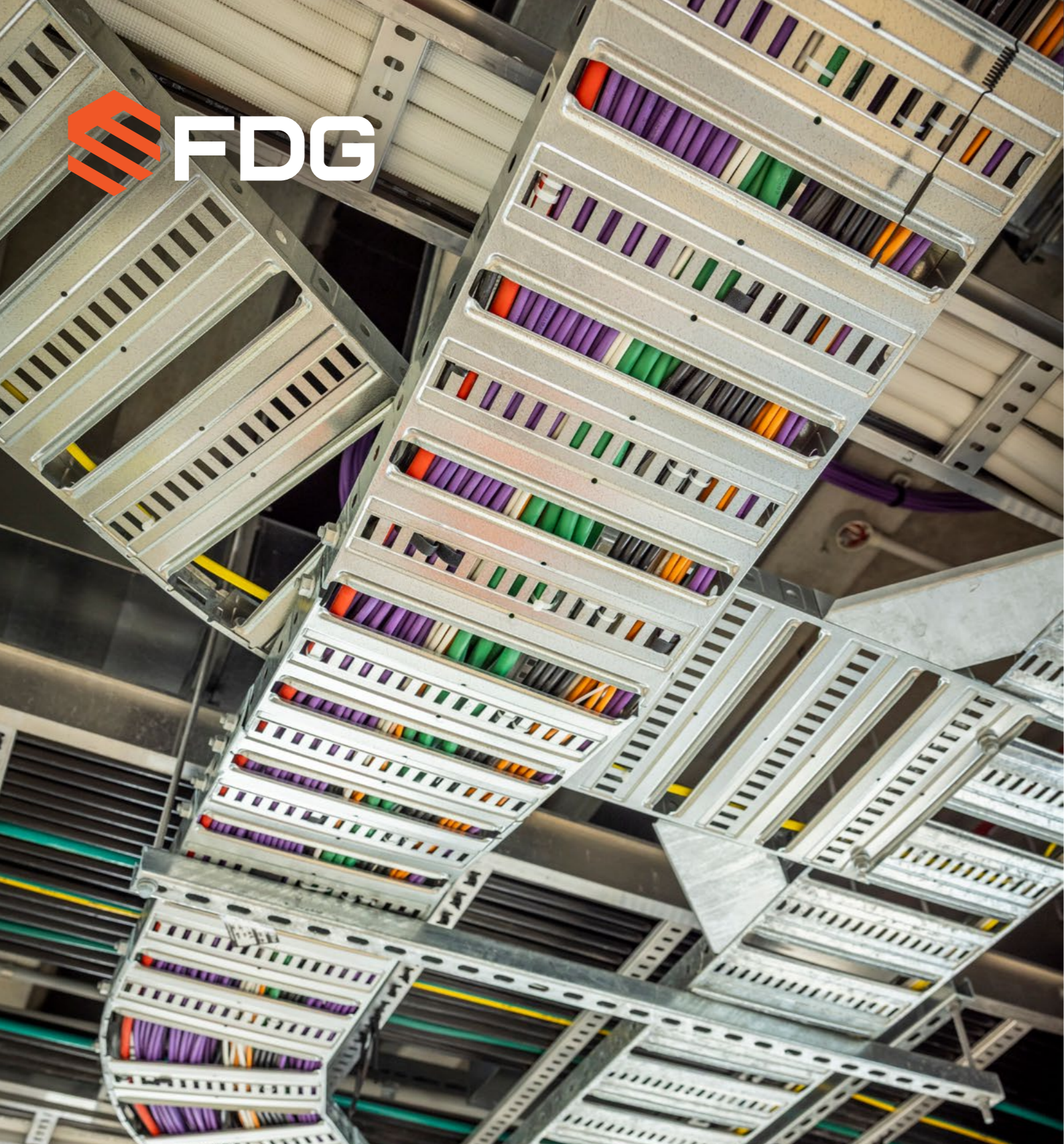


## ***CABLE CONTAINMENT***

<b>CABLE TRAY</b>	<b>44</b>
<b>CABLE LADDER</b>	<b>50</b>
<b>ROLLED EDGE CABLE TRAY</b>	<b>64</b>
<b>CABLE BASKET</b>	<b>66</b>

**KEEPING BUSINESS'S  
MOVING & MAKING**

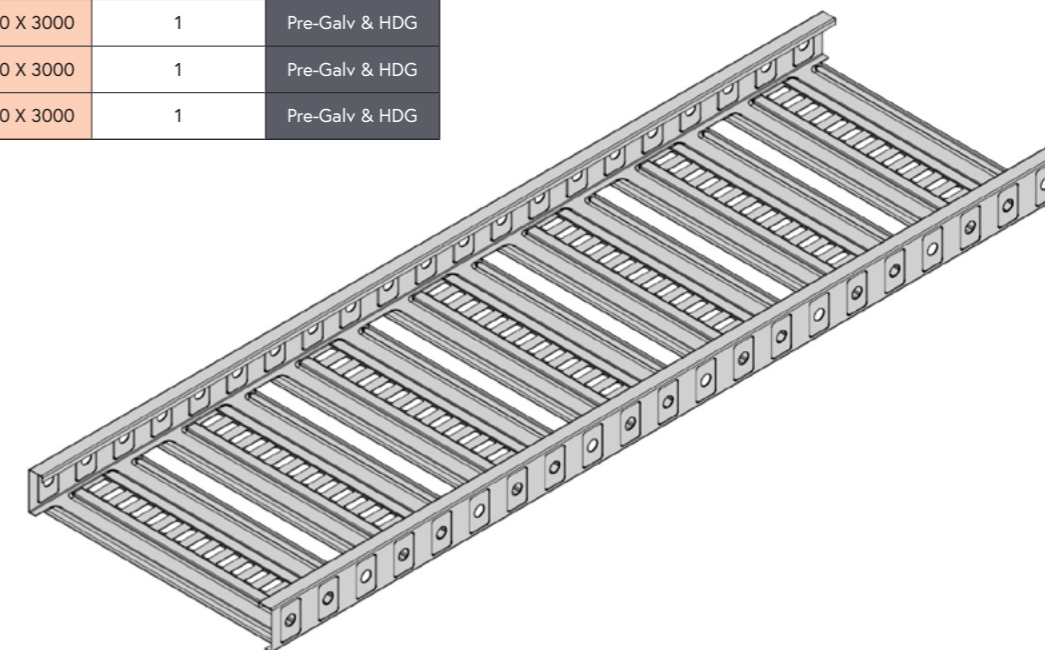
 [www.fdg.nz.com](http://www.fdg.nz.com)  
 [sales@fdg.nz.com](mailto:sales@fdg.nz.com)  
 0800 555 464



# CABLE TRAY

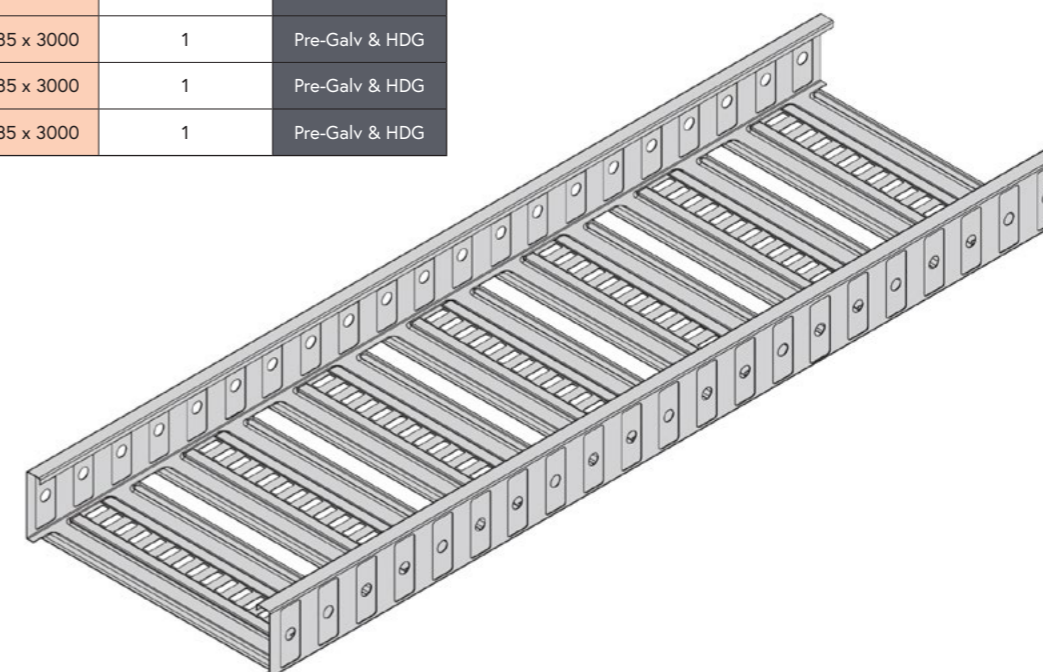
## CT3 CABLE TRAY

CODE	DESCRIPTION	PACK QTY	FINISH
FDG-CT3150PG	150 X 50 X 3000	1	Pre-Galv & HDG
FDG-CT3300PG	300 X 50 X 3000	1	Pre-Galv & HDG
FDG-CT3450PG	450 X 50 X 3000	1	Pre-Galv & HDG
FDG-CT3600PG	600 X 50 X 3000	1	Pre-Galv & HDG



## CT5 CABLE TRAY

CODE	DESCRIPTION	PACK QTY	FINISH
FDG-CT5150PG	150 X 85 x 3000	1	Pre-Galv & HDG
FDG-CT5300PG	300 x 85 x 3000	1	Pre-Galv & HDG
FDG-CT5450PG	450 x 85 x 3000	1	Pre-Galv & HDG
FDG-CT5600PG	600 x 85 x 3000	1	Pre-Galv & HDG



# CABLE TRAY

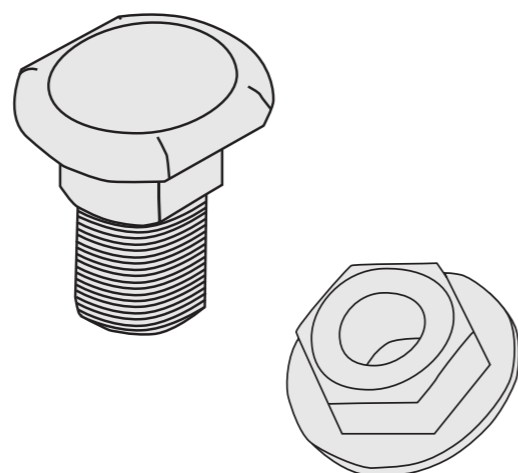


## SPLICE BOLT M10 Z/P

CODE	DESCRIPTION	PACK QTY	FINISH
FDG-CTSB10Z	M10	1	Zinc & HDG & Stainless

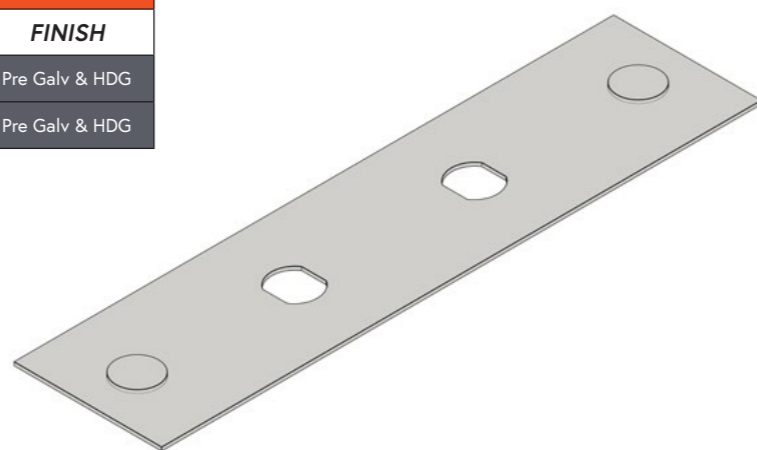
## SPLICE FLANGE NUT M10 Z/P

CODE	DESCRIPTION	PACK QTY	FINISH
FDG-CTSN10Z	M10	1	Zinc & HDG & Stainless



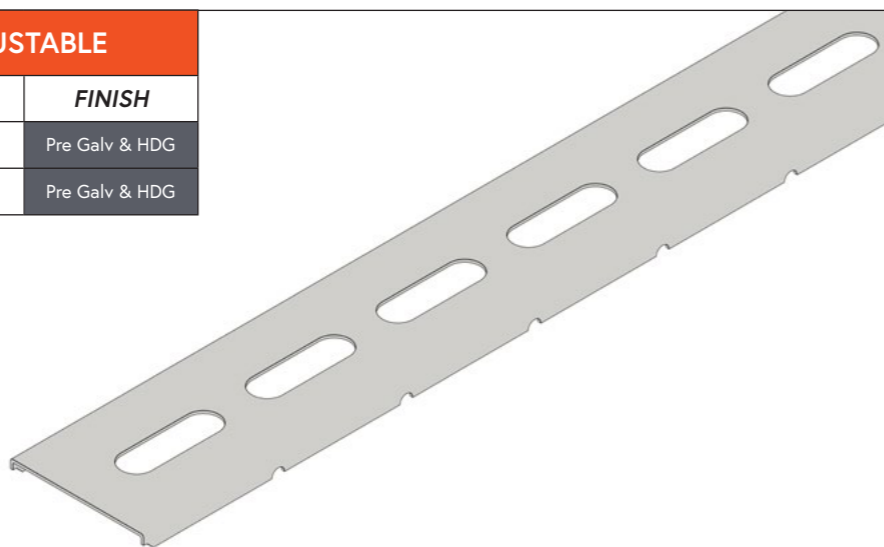
## CABLE TRAY SPLICE PLATE

CODE	DESCRIPTION	PACK QTY	FINISH
FDG-CT3S	45 X 180	1	Pre Galv & HDG
FDG-CT5S	80 X 180	1	Pre Galv & HDG



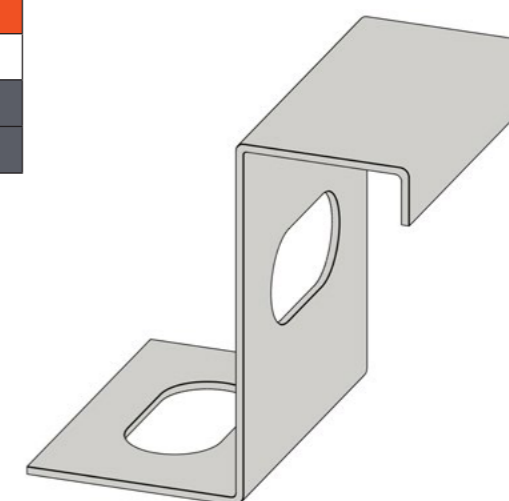
## RADIUS PLATE (BENDS) - ADJUSTABLE

CODE	DESCRIPTION	PACK QTY	FINISH
FDG-CT3RP	50 X 3000	1	Pre Galv & HDG
FDG-CT5RP	85 X 3000	1	Pre Galv & HDG



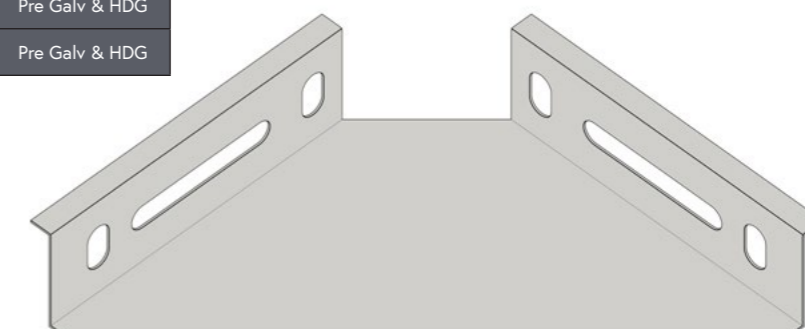
## SIDE HOLD DOWN

CODE	DESCRIPTION	PACK QTY	FINISH
FDG-CT3HD	50 x 30	1	Pre Galv & HDG
FDG-CT5HD	85 x 30	1	Pre Galv & HDG



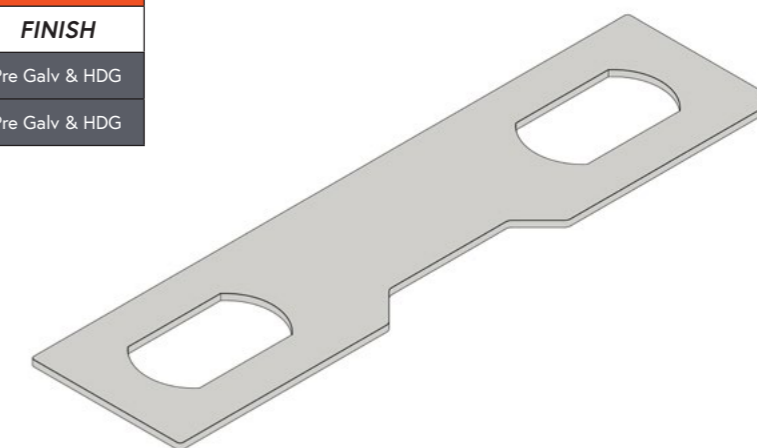
## CABLE TRAY CORNER BRACKET

CODE	DESCRIPTION	PACK QTY	FINISH
FDG-CT3TXH	50 x 150	1	Pre Galv & HDG
FDG-CT5TXH	85 x 150	1	Pre Galv & HDG



## LINK/RISER PLATE

CODE	DESCRIPTION	PACK QTY	FINISH
FDG-CT3RL	100 x 25	1	Pre Galv & HDG
FDG-CT5RL	100 x 55	1	Pre Galv & HDG

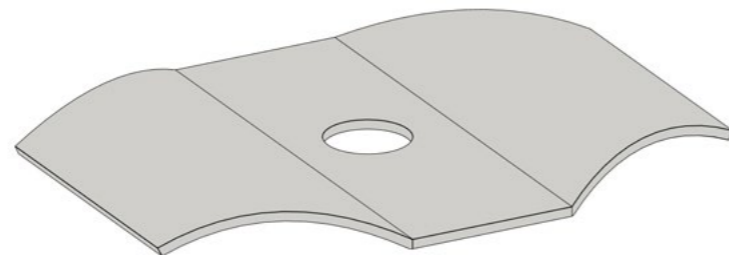




## CENTRE HOLD DOWN

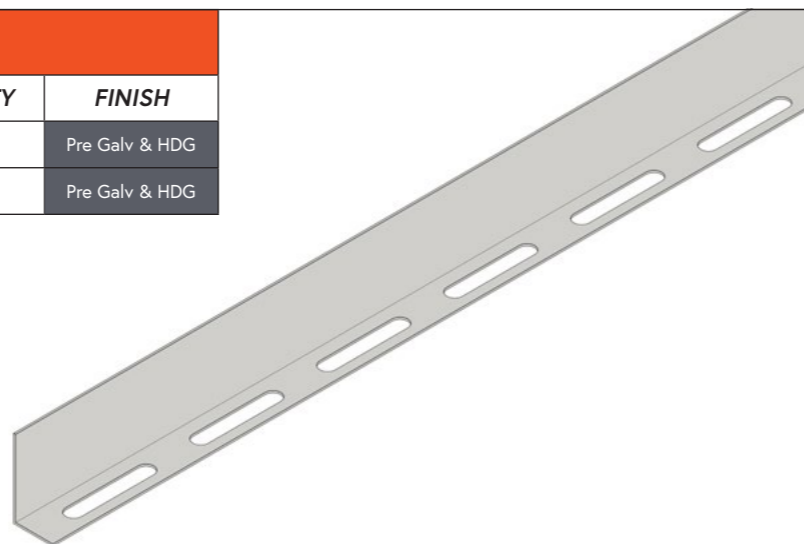
CODE	DESCRIPTION	PACK QTY	FINISH
FDG-CHDC	50 x 55	1	Pre Galv & HDG

\*M8 Bolt Required



## DIVIDER STRIP

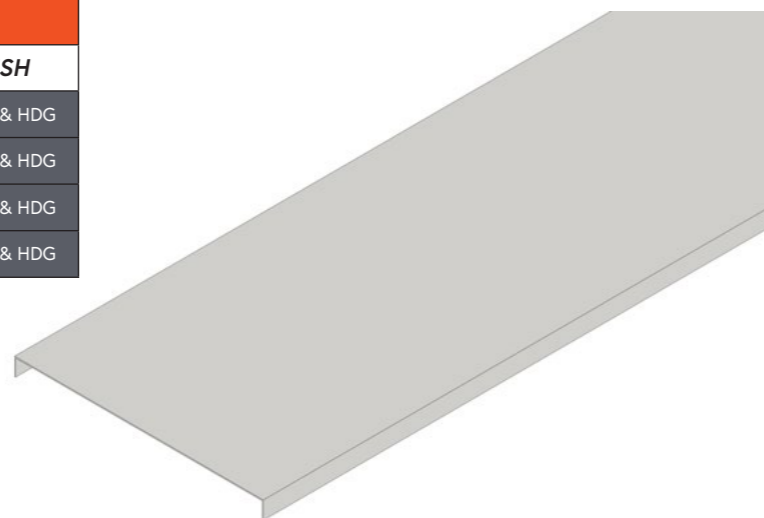
CODE	DESCRIPTION	PACK QTY	FINISH
FDG-CT3BSP	43 x 3000 to Suit CT3 Tray	1	Pre Galv & HDG
FDG-CT5BSP	75 x 3000 to Suit CT5 Tray	1	Pre Galv & HDG



## FLAT COVER

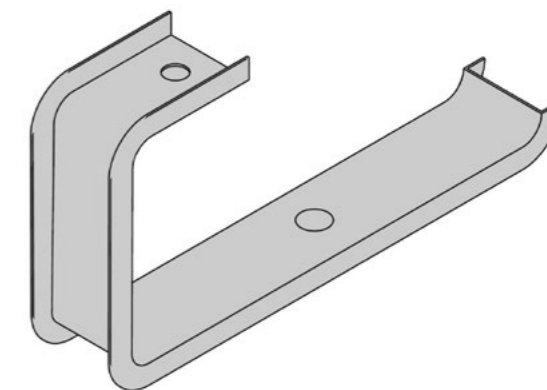
CODE	DESCRIPTION	PACK QTY	FINISH
FDG-CT3150FC	170 x 3000	1	Pre Galv & HDG
FDG-CT3300FC	320 x 3000	1	Pre Galv & HDG
FDG-CT3450FC	470 x 3000	1	Pre Galv & HDG
FDG-CT3600FC	620 x 3000	1	Pre Galv & HDG

\*Peaked and Ventilates Covers available on request



## C HANGER BRACKETS

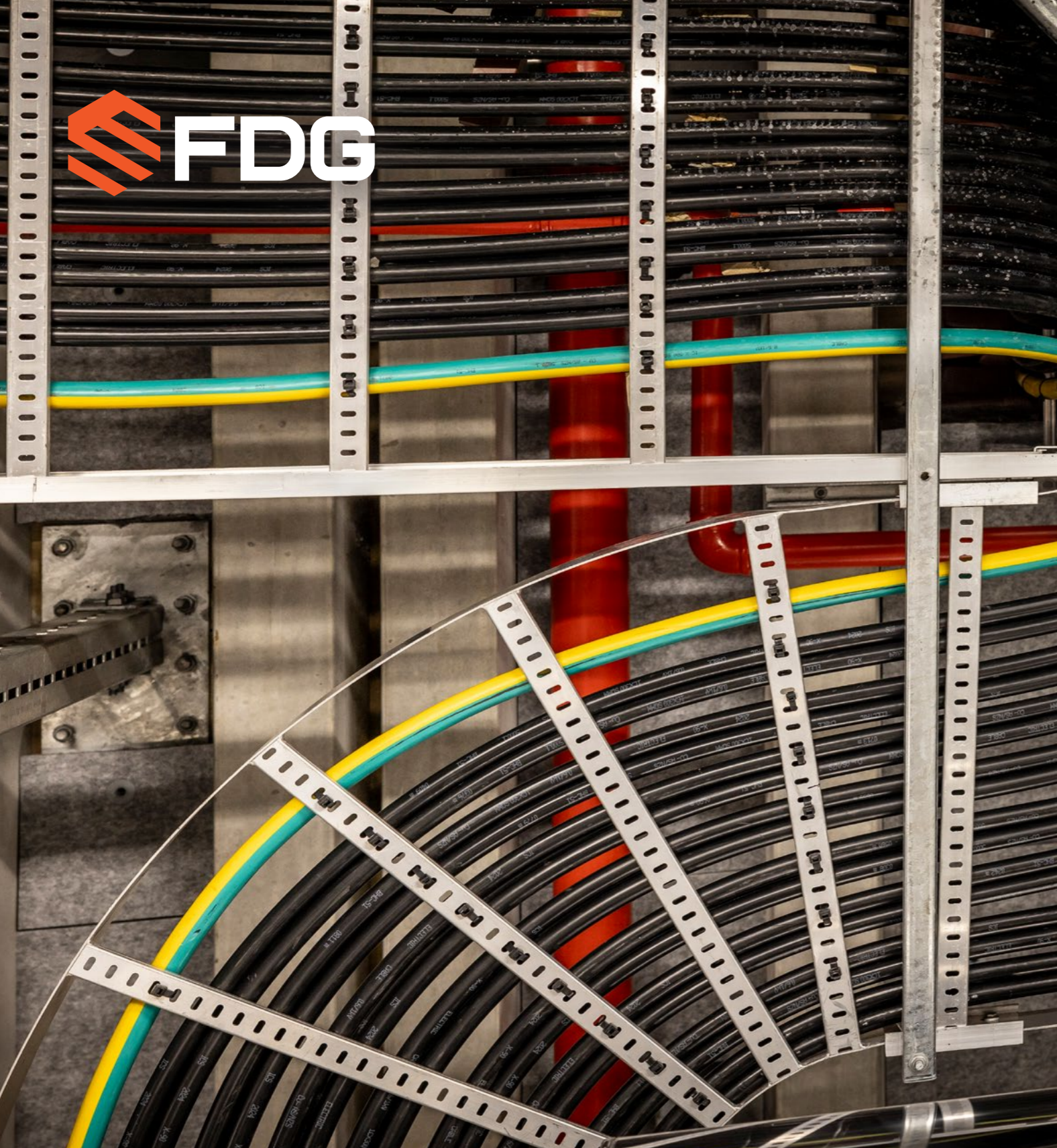
CODE	DESCRIPTION	PACK QTY	FINISH
FDG-CT3150SHB	To suit 150mm	1	Pre Galv & HDG
FDG-CT3300SHB	To suit 300mm	1	Pre Galv & HDG



**FDG**

**POWDER COATING AVAILABLE**

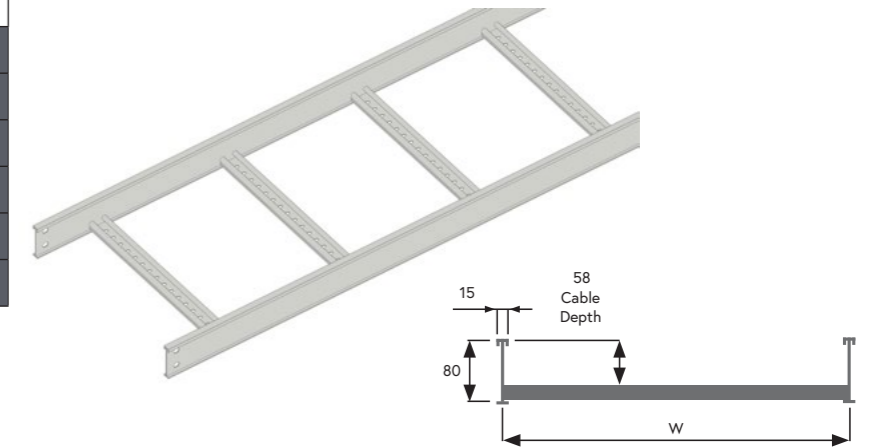
Get in touch today for more info on 0800 555 464!



## NEMA N12A CABLE LADDER

CODE	DESCRIPTION	FINISH
FDGN12A150AL	150 x 80 x 6000	Aluminium
FDGN12A300AL	300 x 80 x 6000	Aluminium
FDGN12A450AL	450 x 80 x 6000	Aluminium
FDGN12A600AL	600 x 80 x 6000	Aluminium
FDGN12A750AL	750 x 80 x 6000	Aluminium
FDGN12A900AL	900 x 80 x 6000	Aluminium

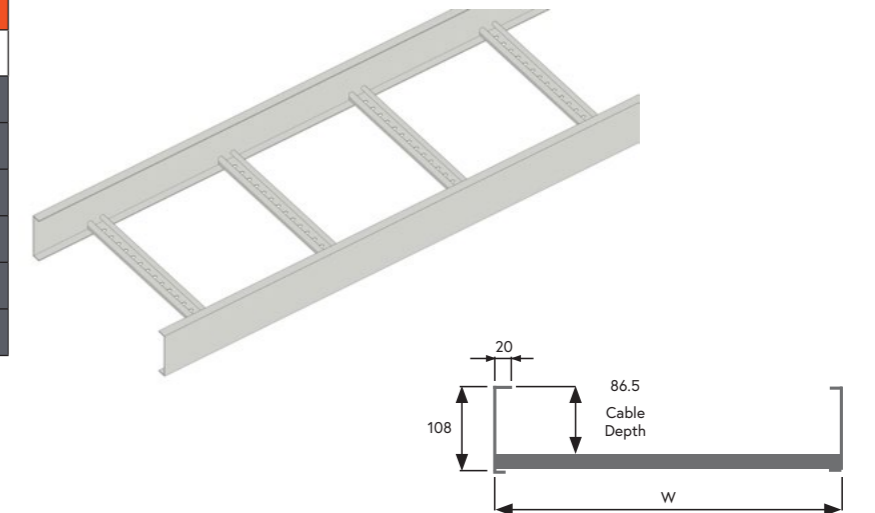
\*Cable Laying Depth = 58mm



## NEMA N12B CABLE LADDER

CODE	DESCRIPTION	FINISH
FDGN12B150AL	150 x 108 x 6000	Aluminium
FDGN12B300AL	300 x 108 x 6000	Aluminium
FDGN12B450AL	450 x 108 x 6000	Aluminium
FDGN12B600AL	600 x 108 x 6000	Aluminium
FDGN12B750AL	750 x 108 x 6000	Aluminium
FDGN12B900AL	900 x 108 x 6000	Aluminium

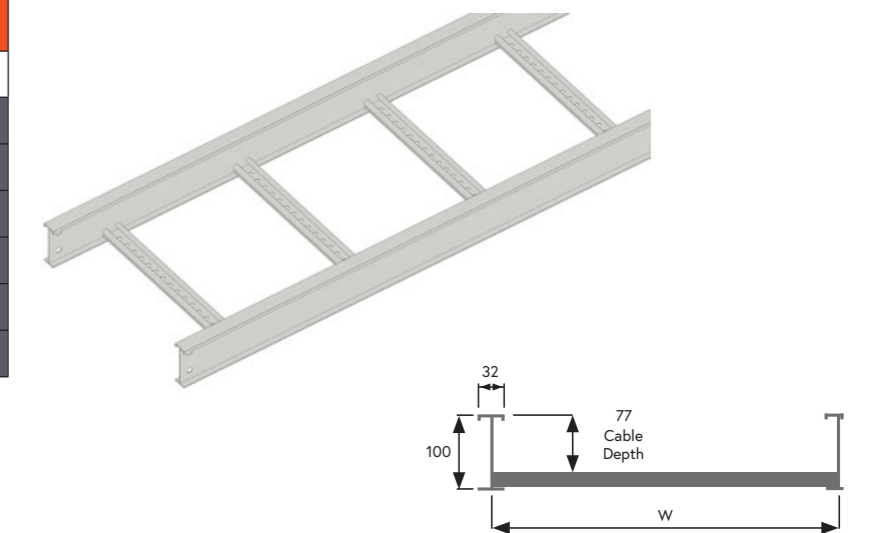
\*Cable Laying Depth = 86.5mm



## NEMA N16A CABLE LADDER

CODE	DESCRIPTION	FINISH
FDGN16A150AL	150 x 100 x 6000	Aluminium
FDGN16A300AL	300 x 100 x 6000	Aluminium
FDGN16A450AL	450 x 100 x 6000	Aluminium
FDGN16A600AL	600 x 100 x 6000	Aluminium
FDGN16A750AL	750 x 100 x 6000	Aluminium
FDGN16A900AL	900 x 100 x 6000	Aluminium

\*Cable Laying Depth = 77mm

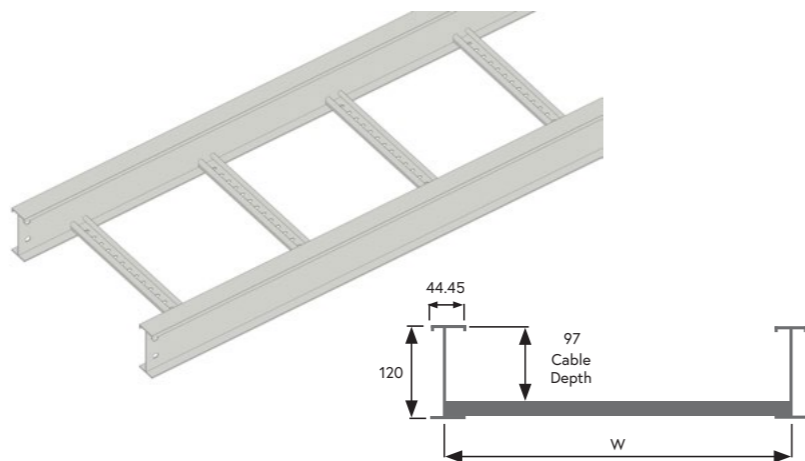


# CABLE LADDER



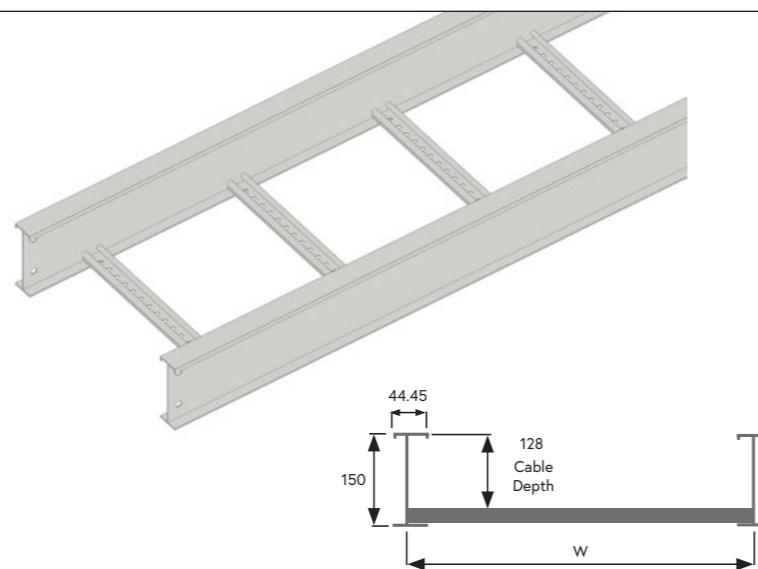
NEMA N20A CABLE LADDER		
CODE	DESCRIPTION	FINISH
FDGN20A150AL	150 x 120 x 6000	Aluminium
FDGN20A300AL	300 x 120 x 6000	Aluminium
FDGN20A450AL	450 x 120 x 6000	Aluminium
FDGN20A600AL	600 x 120 x 6000	Aluminium
FDGN20A750AL	750 x 120 x 6000	Aluminium
FDGN20A900AL	900 x 120 x 6000	Aluminium

\*Cable Laying Depth = 97mm



NEMA N20C CABLE LADDER		
CODE	DESCRIPTION	FINISH
FDGN20C150AL	150 x 150 x 6000	Aluminium
FDGN20C300AL	300 x 150 x 6000	Aluminium
FDGN20C450AL	450 x 150 x 6000	Aluminium
FDGN20C600AL	600 x 150 x 6000	Aluminium
FDGN20C750AL	750 x 150 x 6000	Aluminium
FDGN20C900AL	900 x 150 x 6000	Aluminium

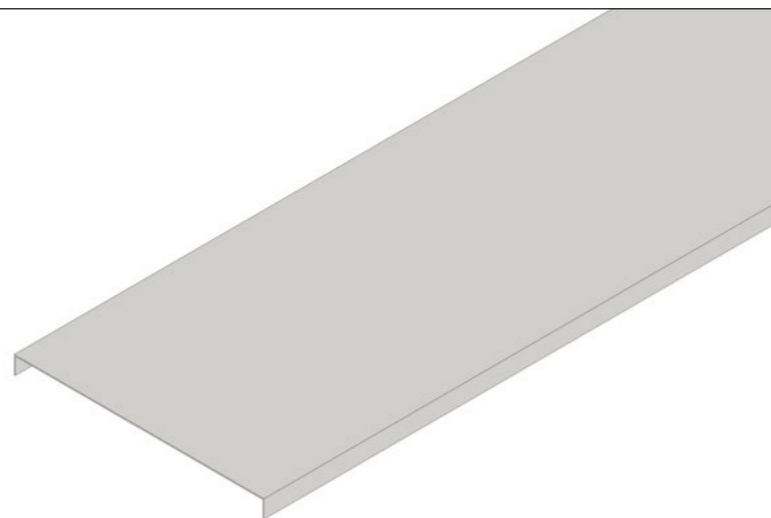
\*Cable Laying Depth = 128mm



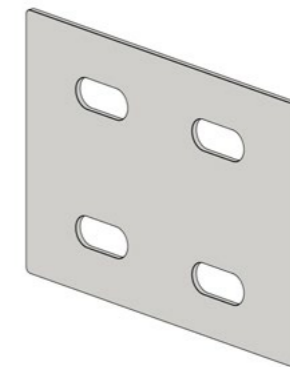
FLAT COVERS	
CODE	FINISH
FDGN12A(Width)FC	Aluminium
FDGN12B(Width)FC	Aluminium
FDGN16A(Width)FC	Aluminium
FDGN20A(Width)FC	Aluminium
FDGN20C(Width)FC	Aluminium

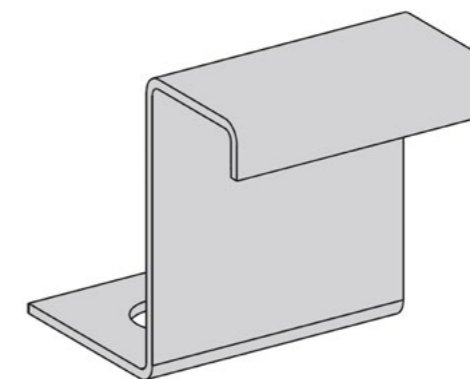
WIDTHS AVAILABLE
150, 300, 450, 600, 750, 900



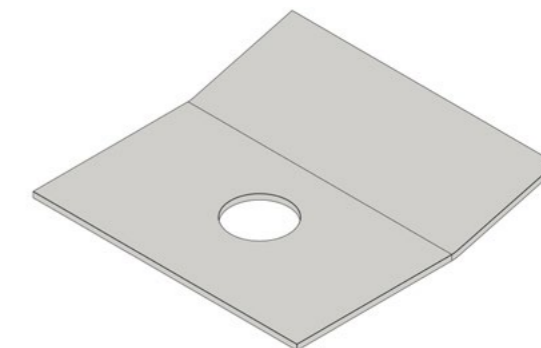
SPLICE PLATE		
CODE	DESCRIPTION	FINISH
FDGN12ASPAL	To suit NEMA 12A	Aluminium
FDGN12BSPAL	To suit NEMA 12B	Aluminium
FDGN16ASPAL	To suit NEMA 16A	Aluminium
FDGN20ASPAL	To suit NEMA 20A	Aluminium
FDGN20CSPAL	To suit NEMA 20C	Aluminium



SIDE HOLD DOWN		
CODE	DESCRIPTION	FINISH
FDGN12AHDCAL	To suit NEMA 12A	Aluminium
FDGN12BHDCAL	To suit NEMA 12B	Aluminium
FDGN16AHDCAL	To suit NEMA 16A	Aluminium
FDGN20AHDCAL	To suit NEMA 20A	Aluminium
FDGN20CHDCAL	To suit NEMA 20C	Aluminium



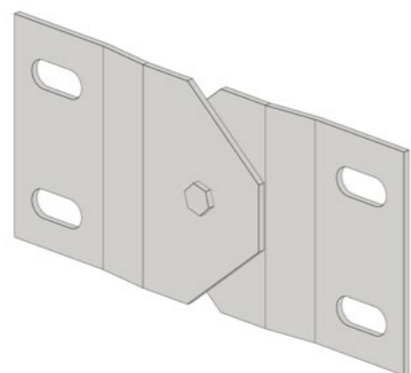
INTERNAL HOLD DOWN		
CODE	DESCRIPTION	FINISH
FDGCHDCAL	Internal Centre Hold Down Clamp	Aluminium





## VERTICAL SPLICE PLATE

CODE	DESCRIPTION	FINISH
FDGN12AVSPAL	To suit NEMA 12A	Aluminium
FDGN12BVSPAL	To suit NEMA 12B	Aluminium
FDGN16AVSPAL	To suit NEMA 16A	Aluminium
FDGN20AVSPAL	To suit NEMA 20A	Aluminium
FDGN20CVSPAL	To suit NEMA 20C	Aluminium



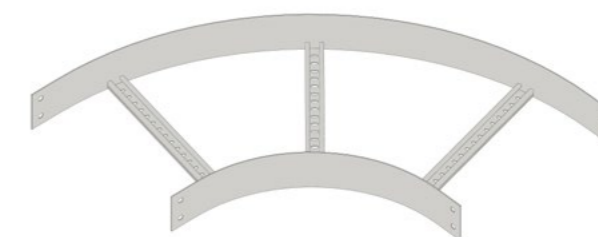
## 90° BENDS

CODE	DESCRIPTION	FINISH
FDGN12A90B(Width)AL	12A	Aluminium
FDGN12B90B(Width)AL	12B	Aluminium
FDGN16A90B(Width)AL	16A	Aluminium
FDGN20A90B(Width)AL	20A	Aluminium
FDGN20C90B(Width)AL	20C	Aluminium

### WIDTHS AVAILABLE

150, 300, 450, 600, 750, 900

\*Standard Radius is 300mm, custom radius's available on request



## HORIZONTAL SPLICE PLATE

CODE	DESCRIPTION	FINISH
FDGN12AHSPAL	To suit NEMA 12A	Aluminium
FDGN12BHSPAL	To suit NEMA 12B	Aluminium
FDGN16AHSPAL	To suit NEMA 16A	Aluminium
FDGN20AHSPAL	To suit NEMA 20A	Aluminium
FDGN20CHSPAL	To suit NEMA 20C	Aluminium



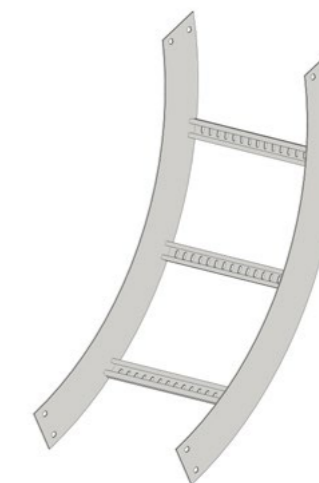
## INTERNAL RISERS

CODE	DESCRIPTION	FINISH
FDGN12AIR(Width)AL	12A	Aluminium
FDGN12BIR(Width)AL	12B	Aluminium
FDGN16AIR(Width)AL	16A	Aluminium
FDGN20AIR(Width)AL	20A	Aluminium
FDGN20CIR(Width)AL	20C	Aluminium

### WIDTHS AVAILABLE

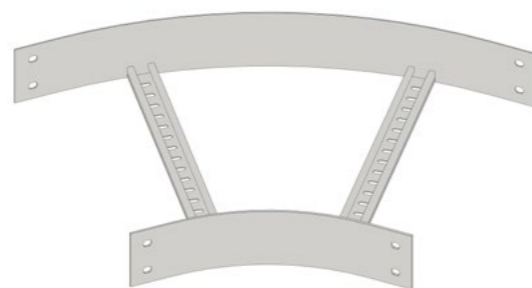
150, 300, 450, 600, 750, 900

\*Standard Radius is 300mm, custom radius's available on request



## 45° BENDS

CODE	DESCRIPTION	FINISH
FDGN12A45B(Width)AL	12A	Aluminium
FDGN12B45B(Width)AL	12B	Aluminium
FDGN16A45B(Width)AL	16A	Aluminium
FDGN20A45B(Width)AL	20A	Aluminium
FDGN20C45B(Width)AL	20C	Aluminium



### WIDTHS AVAILABLE

150, 300, 450, 600, 750, 900

\*Standard Radius is 300mm, custom radius's available on request

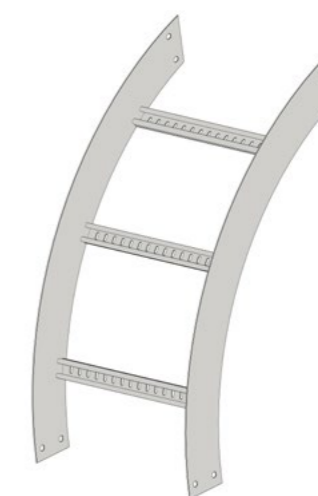
## EXTERNAL RISERS

CODE	DESCRIPTION	FINISH
FDGN12AER(Width)AL	12A	Aluminium
FDGN12BER(Width)AL	12B	Aluminium
FDGN16AER(Width)AL	16A	Aluminium
FDGN20AER(Width)AL	20A	Aluminium
FDGN20CER(Width)AL	20C	Aluminium

### WIDTHS AVAILABLE

150, 300, 450, 600, 750, 900

\*Standard Radius is 300mm, custom radius's available on request





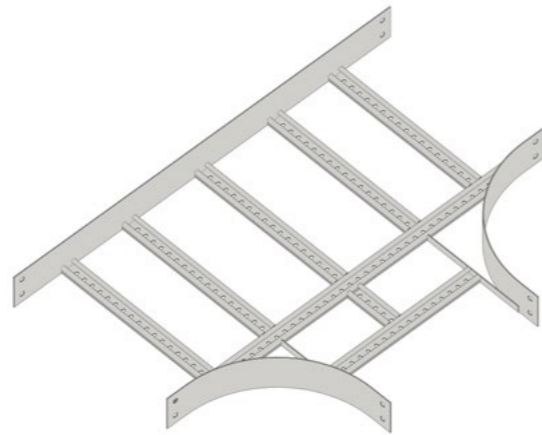
## EQUAL TEE'S

CODE	DESCRIPTION	FINISH
FDGN12AET(Width)AL	12A	Aluminium
FDGN12BET(Width)AL	12B	Aluminium
FDGN16AET(Width)AL	16A	Aluminium
FDGN20AET(Width)AL	20A	Aluminium
FDGN20CET(Width)AL	20C	Aluminium

### WIDTHS AVAILABLE

150, 300, 450, 600, 750, 900

\*Standard Radius is 300mm, custom radius's available on request  
\*\*Unequal Tee's available on request



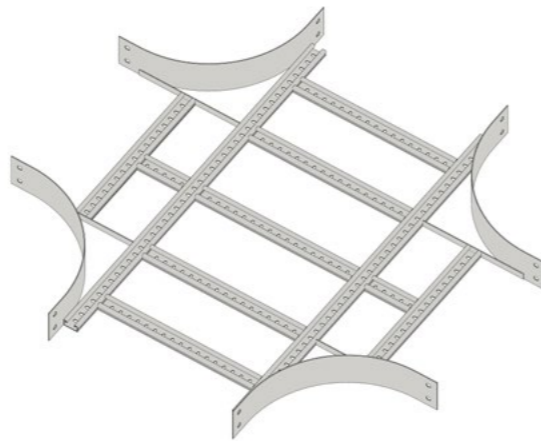
## 4-WAY CROSS

CODE	DESCRIPTION	FINISH
FDGN12ACR(Width)3AL	12A	Aluminium
FDGN12BCR(Width)3AL	12B	Aluminium
FDGN16ACR(Width)3AL	16A	Aluminium
FDGN20ACR(Width)3AL	20A	Aluminium
FDGN20CCR(Width)3AL	20C	Aluminium

### WIDTHS AVAILABLE

150, 300, 450, 600, 750, 900

\*Standard Radius is 300mm, custom radius's available on request  
\*\*Unequal Cross's available on request

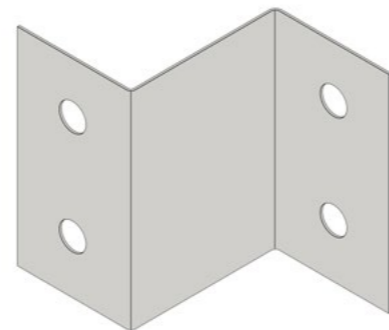


## REDUCER SPLICE PLATE

CODE	DESCRIPTION	FINISH
FDGN(Ladder Profile)R75AL	150mm Reduction	Aluminium
FDGN(Ladder Profile)R150AL	300mm Reduction	Aluminium

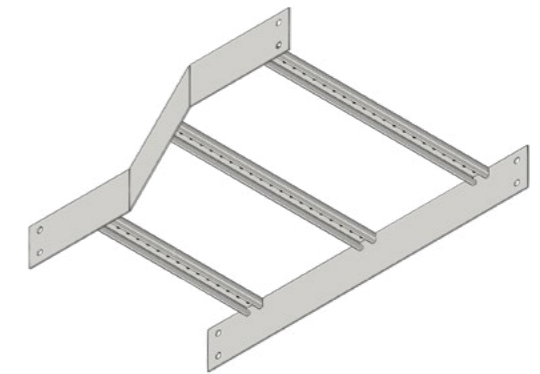
### LADDER PROFILES AVAILABLE

12A, 12B, 16A, 20A, 20C



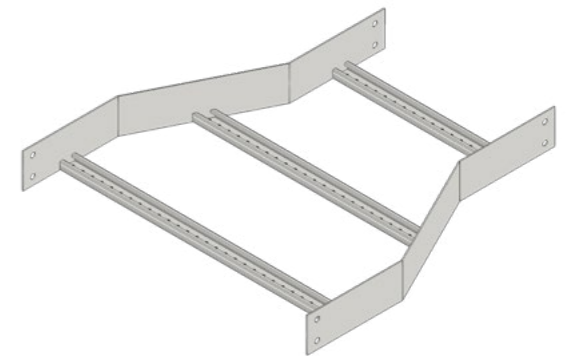
## RIGHT HAND REDUCER

CODE	DESCRIPTION	FINISH
FDGN12ARR(Original Width-New Width)AL	12A	Aluminium
FDGN12BRR(Original Width-New Width)AL	12B	Aluminium
FDGN16ARR(Original Width-New Width)AL	16A	Aluminium
FDGN20ARR(Original Width-New Width)AL	20A	Aluminium
FDGN20CRR(Original Width-New Width)AL	20C	Aluminium



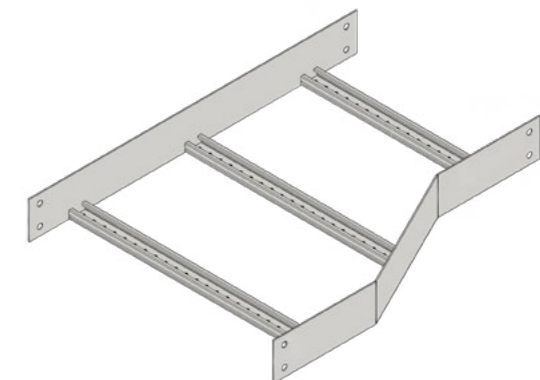
## CONCENTRIC REDUCER

CODE	DESCRIPTION	FINISH
FDGN12ACR(Original Width-New Width)AL	12A	Aluminium
FDGN12BCR(Original Width-New Width)AL	12B	Aluminium
FDGN16ACR(Original Width-New Width)AL	16A	Aluminium
FDGN20ACR(Original Width-New Width)AL	20A	Aluminium
FDGN20CCR(Original Width-New Width)AL	20C	Aluminium



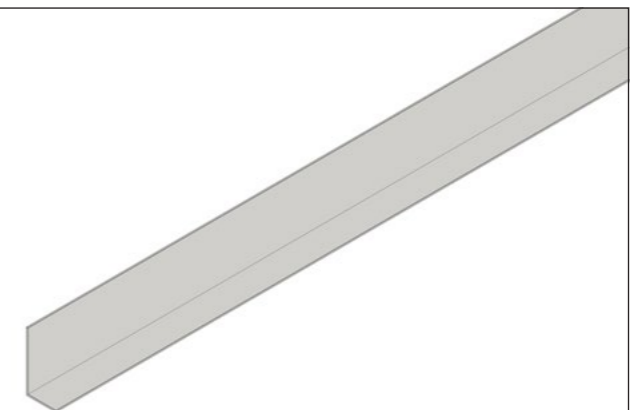
## LEFT HAND REDUCER

CODE	DESCRIPTION	FINISH
FDGN12ALR(Original Width-New Width)AL	12A	Aluminium
FDGN12BLR(Original Width-New Width)AL	12B	Aluminium
FDGN16ALR(Original Width-New Width)AL	16A	Aluminium
FDGN20ALR(Original Width-New Width)AL	20A	Aluminium
FDGN20CLR(Original Width-New Width)AL	20C	Aluminium



## CABLE LADDER DIVIDER STRIPS

CODE	FINISH
FDGN12AADS	Aluminium
FDGN12BADS	Aluminium
FDGN16AADS	Aluminium
FDGN20AADS	Aluminium
FDGN20CADS	Aluminium

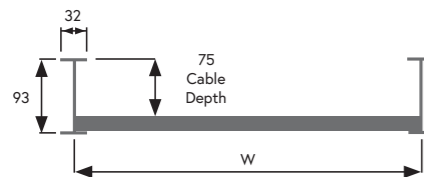
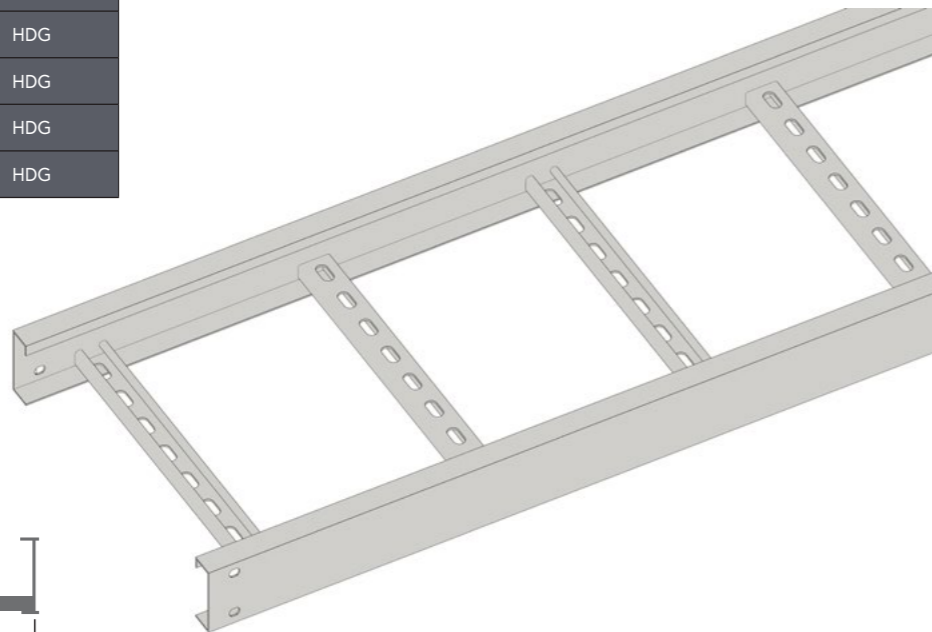




### NEMA N16A CABLE LADDER

CODE	DESCRIPTION	FINISH
FDGN16A150G	150 x 100 x 6000	HDG
FDGN16A300G	300 x 100 x 6000	HDG
FDGN16A450G	450 x 100 x 6000	HDG
FDGN16A600G	600 x 100 x 6000	HDG
FDGN16A750G	750 x 100 x 6000	HDG
FDGN16A900G	900 x 100 x 6000	HDG

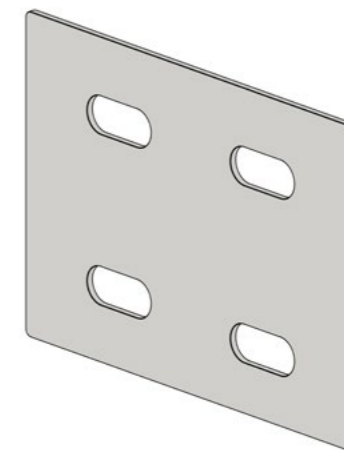
\*Cable Laying Depth = 77mm  
 \*\*Stainless Available on Request



### SPLICE PLATE

CODE	DESCRIPTION	FINISH
FDGN16ASPG	To suit NEMA 16A	HDG
FDGN20BSPG	To suit NEMA 20B	HDG

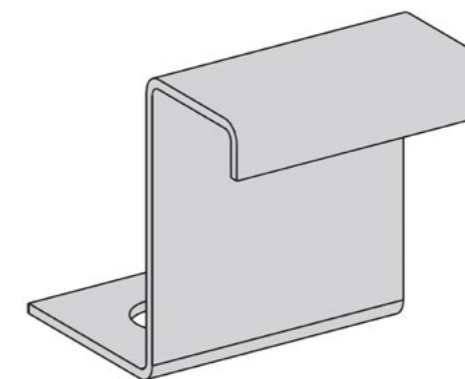
\*Stainless Available on Request



### SIDE HOLD DOWN

CODE	DESCRIPTION	FINISH
FDGN16AHDCG	To suit NEMA 16A	HDG
FDGN20BHDCG	To suit NEMA 20B	HDG

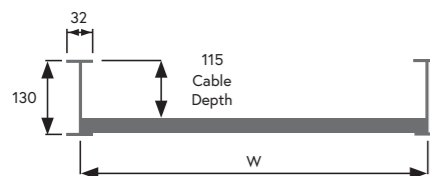
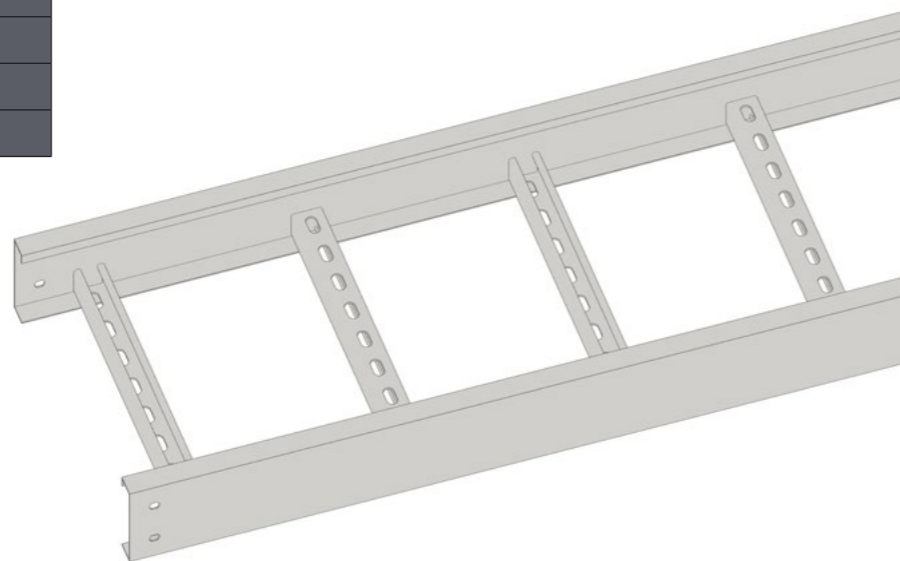
\*Stainless Available on Request



### NEMA N20B CABLE LADDER

CODE	DESCRIPTION	FINISH
FDGN20B150G	150 x 150 x 6000	HDG
FDGN20B300G	300 x 150 x 6000	HDG
FDGN20B450G	450 x 150 x 6000	HDG
FDGN20B600G	600 x 150 x 6000	HDG
FDGN20B750G	750 x 150 x 6000	HDG
FDGN20B900G	900 x 150 x 6000	HDG

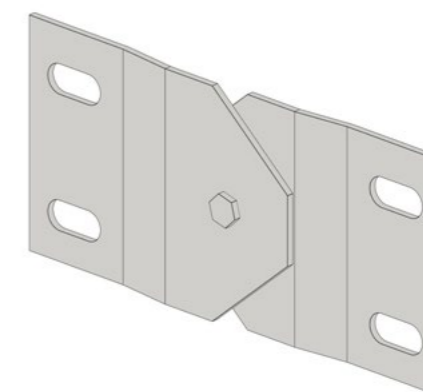
\*Cable Laying Depth = 135mm  
 \*\*Stainless Available on Request



### VERTICAL SPLICE PLATE

CODE	DESCRIPTION	FINISH
FDGN16AVSPG	To suit NEMA 16A	HDG
FDGN20BVSPG	To suit NEMA 20B	HDG

\*Stainless Available on Request

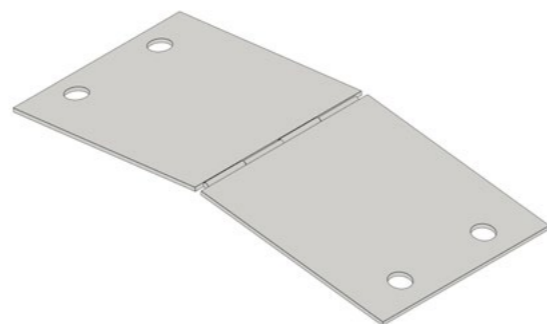




## HORIZONTAL SPLICE PLATE

CODE	DESCRIPTION	FINISH
FDGN16AHSPG	To suit NEMA 16A	HDG
FDGN20BHSPG	To suit NEMA 20B	HDG

\*Stainless Available on Request



## INTERNAL RISERS

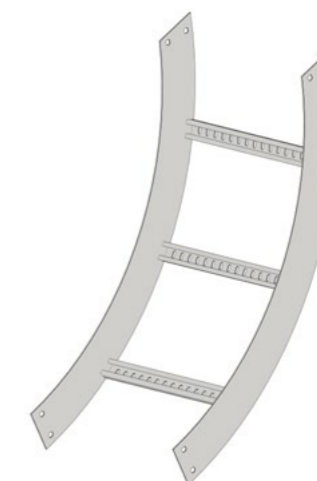
CODE	DESCRIPTION	FINISH
FDGN16AIR(Width)G	16A	HDG
FDGN20BIR(Width)G	20B	HDG

### WIDTHS AVAILABLE

150, 300, 450, 600, 750, 900

\*Stainless Available on Request

\*\*Standard Radius is 300mm, custom radius's available on request



## 45° BENDS

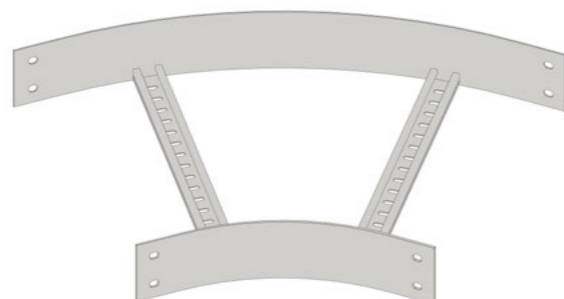
CODE	DESCRIPTION	FINISH
FDGN16A45B(Width)G	16A	HDG
FDGN20B45B(Width)G	20B	HDG

### WIDTHS AVAILABLE

150, 300, 450, 600, 750, 900

\*Stainless Available on Request

\*\*Standard Radius is 300mm, custom radius's available on request



## EXTERNAL RISERS

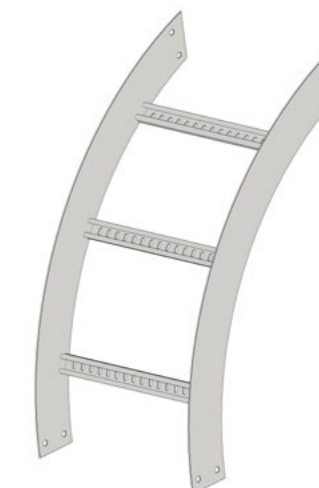
CODE	DESCRIPTION	FINISH
FDGN16AER(Width)G	16A	HDG
FDGN20BER(Width)G	20B	HDG

### WIDTHS AVAILABLE

150, 300, 450, 600, 750, 900

\*Stainless Available on Request

\*\*Standard Radius is 300mm, custom radius's available on request



## 90° BENDS

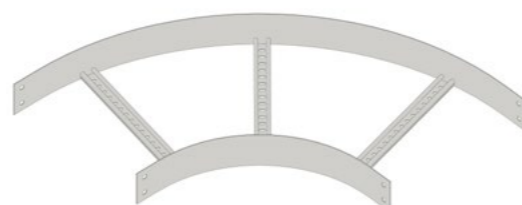
CODE	DESCRIPTION	FINISH
FDGN16A90B(Width)G	16A	HDG
FDGN20B90B(Width)G	20B	HDG

### WIDTHS AVAILABLE

150, 300, 450, 600, 750, 900

\*Stainless Available on Request

\*\*Standard Radius is 300mm, custom radius's available on request



## EQUAL TEE'S

CODE	DESCRIPTION	FINISH
FDGN16AET(Width)G	16A	HDG
FDGN20BET(Width)G	20B	HDG

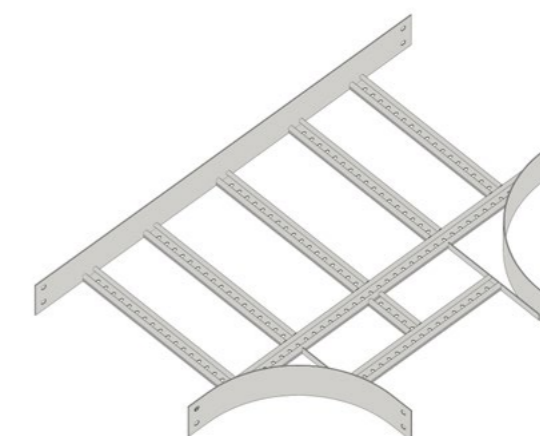
### WIDTHS AVAILABLE

150, 300, 450, 600, 750, 900

\*Stainless Available on Request

\*\*Standard Radius is 300mm, custom radius's available on request

\*\*\*Unequal available on request

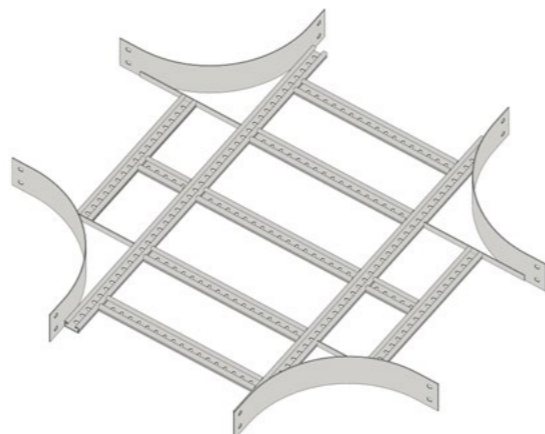




4-WAY CROSS		
CODE	DESCRIPTION	FINISH
FDGN16ACR(Width)3G	16A	HDG
FDGN20BCR(Width)3G	20B	HDG

WIDTHS AVAILABLE
150, 300, 450, 600, 750, 900

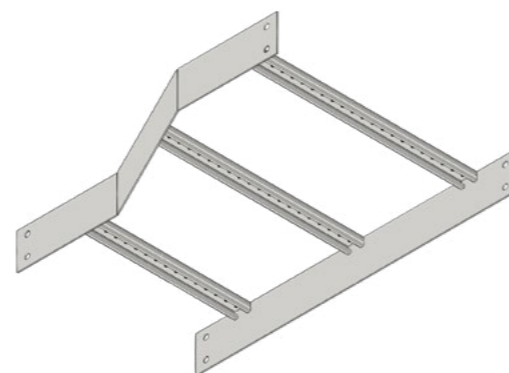


\*Stainless Available on Request  
 \*\*Standard Radius is 300mm, custom radius's available on request  
 \*\*\*Unequal available on request

RIGHT HAND REDUCER		
CODE	DESCRIPTION	FINISH
FDGN16ARR(Original Width-New Width)G	16A	Aluminium
FDGN20BRR(Original Width-New Width)G	20B	Aluminium

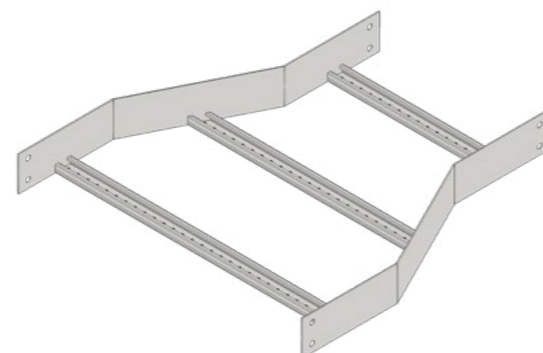
  

WIDTHS AVAILABLE
150, 300, 450, 600, 750, 900



\*Stainless Available on Request

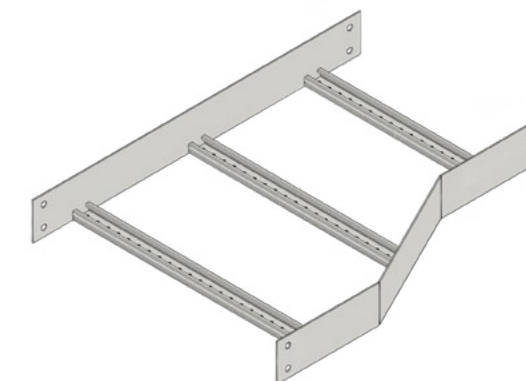
CONCENTRIC REDUCER		
CODE	DESCRIPTION	FINISH
FDGN16ACR(Original Width-New Width)G	16A	Aluminium
FDGN20BCR(Original Width-New Width)G	20B	Aluminium



\*Stainless Available on Request



LEFT HAND REDUCER		
CODE	DESCRIPTION	FINISH
FDGN16ALR(Original Width-New Width)G	16A	Aluminium
FDGN20BLR(Original Width-New Width)G	20B	Aluminium



\*Stainless Available on Request

## FDG CABLE TRUNKING

FDG Trunking a neat, secure, and compliant solution for routing and protecting electrical wiring

- **Clean & Organised Installations**  
Keep cables tidy, protected, and out of sight — ideal for offices, plant rooms, and service corridors.
- **Durable & Easy to Install**  
Made from high-quality materials (steel or PVC), designed for fast and secure installation.
- **Wide Range of Sizes & Accessories**  
Available in multiple sizes, with matching bends, tees, reducers, and fixings for a seamless system.

Technical specs, data sheets, and pricing are available upon request.

Get in touch today for more info on 0800 555 464!





ROLLED EDGE CABLE TRAY			
CODE	DESCRIPTION	PACK QTY	FINISH
FDG-CTRE50PG	50 X 27 X 3000	1	PG, HDG, SS 316 & Aluminium
FDG-CTRE100PG	100 X 27 X 3000	1	PG, HDG, SS 316 & Aluminium
FDG-CTRE150PG	150 X 27 X 3000	1	PG, HDG, SS 316 & Aluminium
FDG-CTRE200PG	200 X 27 X 3000	1	PG, HDG, SS 316 & Aluminium
FDG-CTRE300PG	300 X 27 X 3000	1	PG, HDG, SS 316 & Aluminium
FDG-CTRE450PG	450 X 27 X 3000	1	PG, HDG, SS 316 & Aluminium

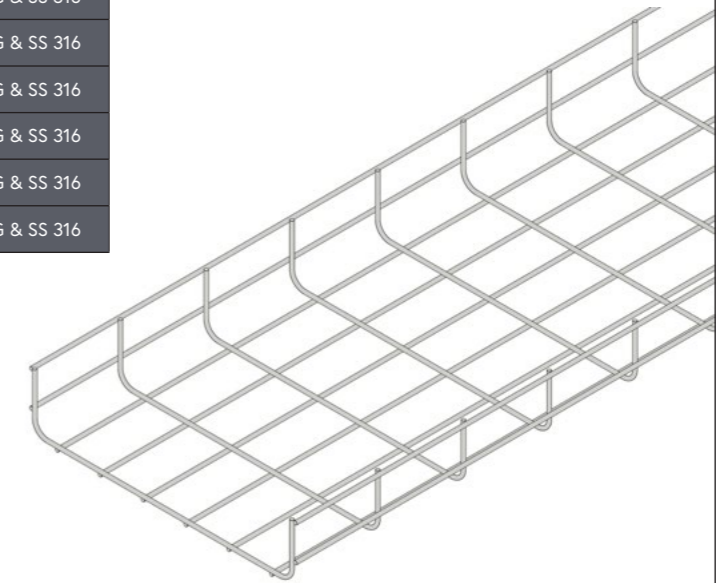


## ROLLED EDGE CABLE TRAY

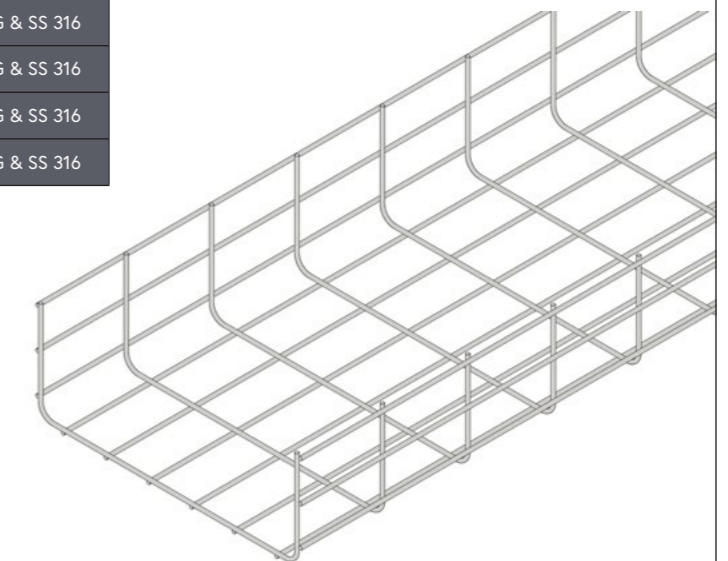


## CABLE BASKET

CABLE BASKET 50mm			
CODE	DESCRIPTION	PACK QTY	FINISH
FDGCB50X50	50 x 50 x 3000	1	PG, HDG & SS 316
FDGCB100X50	100 x 50 x 3000	1	PG, HDG & SS 316
FDGCB150X50	150 x 50 x 3000	1	PG, HDG & SS 316
FDGCB200X50	200 x 50 x 3000	1	PG, HDG & SS 316
FDGCB300X50	300 x 50 x 3000	1	PG, HDG & SS 316
FDGCB400X50	400 x 50 x 3000	1	PG, HDG & SS 316
FDGCB450X50	450 x 50 x 3000	1	PG, HDG & SS 316
FDGCB500X50	500 x 50 x 3000	1	PG, HDG & SS 316
FDGCB600X50	600 x 50 x 3000	1	PG, HDG & SS 316



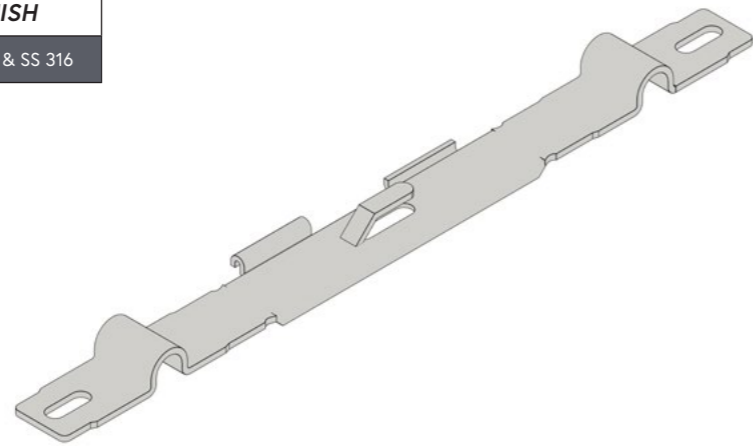
CABLE BASKET 100mm			
CODE	DESCRIPTION	PACK QTY	FINISH
FDGCB100X100	100 x 100 x 3000	1	PG, HDG & SS 316
FDGCB150X100	150 x 100 x 3000	1	PG, HDG & SS 316
FDGCB200X100	200 x 100 x 3000	1	PG, HDG & SS 316
FDGCB300X100	300 x 100 x 3000	1	PG, HDG & SS 316
FDGCB400X100	400 x 100 x 3000	1	PG, HDG & SS 316
FDGCB500X100	500 x 100 x 3000	1	PG, HDG & SS 316
FDGCB600X100	600 x 100 x 3000	1	PG, HDG & SS 316





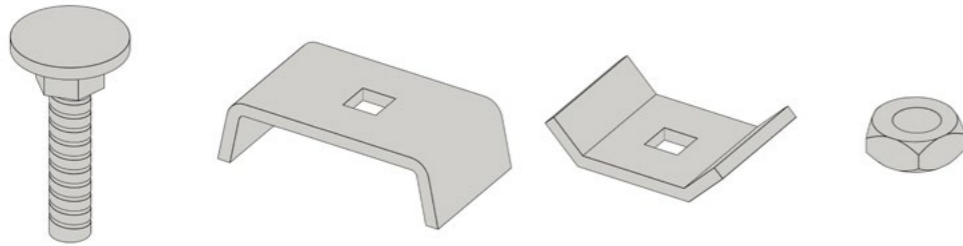
## CONNECTOR PLATES

CODE	PACK QTY	FINISH
FDGCB-CP	1	PG, HDG & SS 316



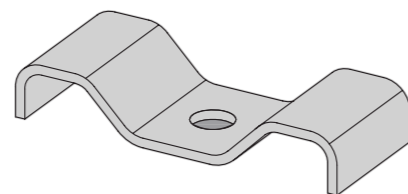
## BASKET COUPLERS

CODE	PACK QTY	FINISH
FDGCB-CC	1	PG, HDG & SS 316



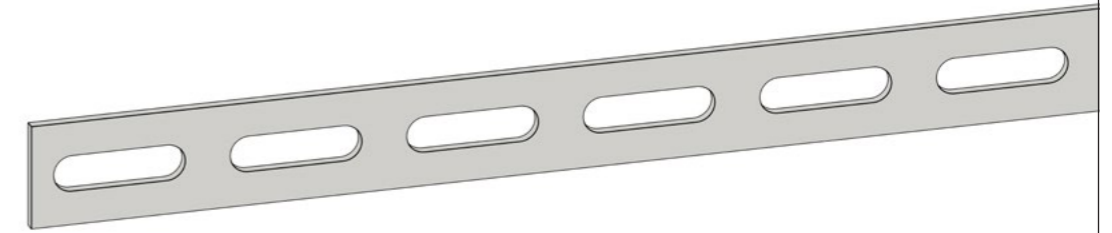
## BASKET HOLD DOWNS

CODE	PACK QTY	FINISH
FDGCB-CHD	1	PG, HDG & SS 316



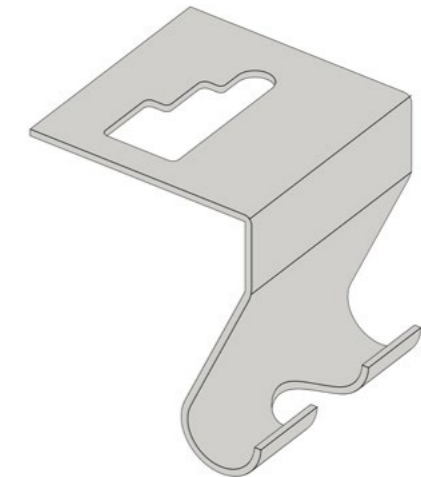
## BASKET RADIUS PLATE

CODE	DESCRIPTION	PACK QTY	FINISH
FDGCB-RP	50 X 3000	1	PG, HDG & SS 316



## BASKET MOUNTING BRACKET

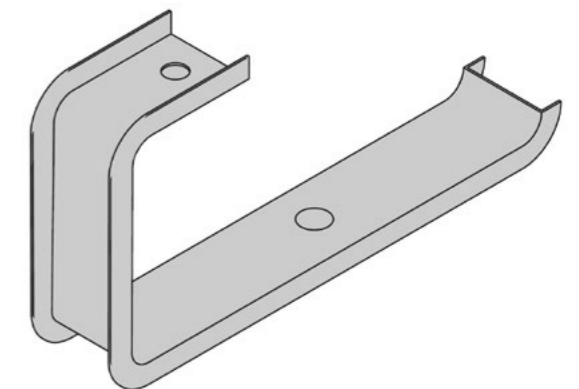
CODE	PACK QTY	FINISH
FDGCB-HH	1	PG, HDG & SS 316



## C HANGER BRACKETS

CODE	PACK QTY	FINISH
FDG-CTSHB150	1	Pre Galv & HDG

\*Suits 75, 100, 150 & 300mm Cable Basket





## **MODFRAME**

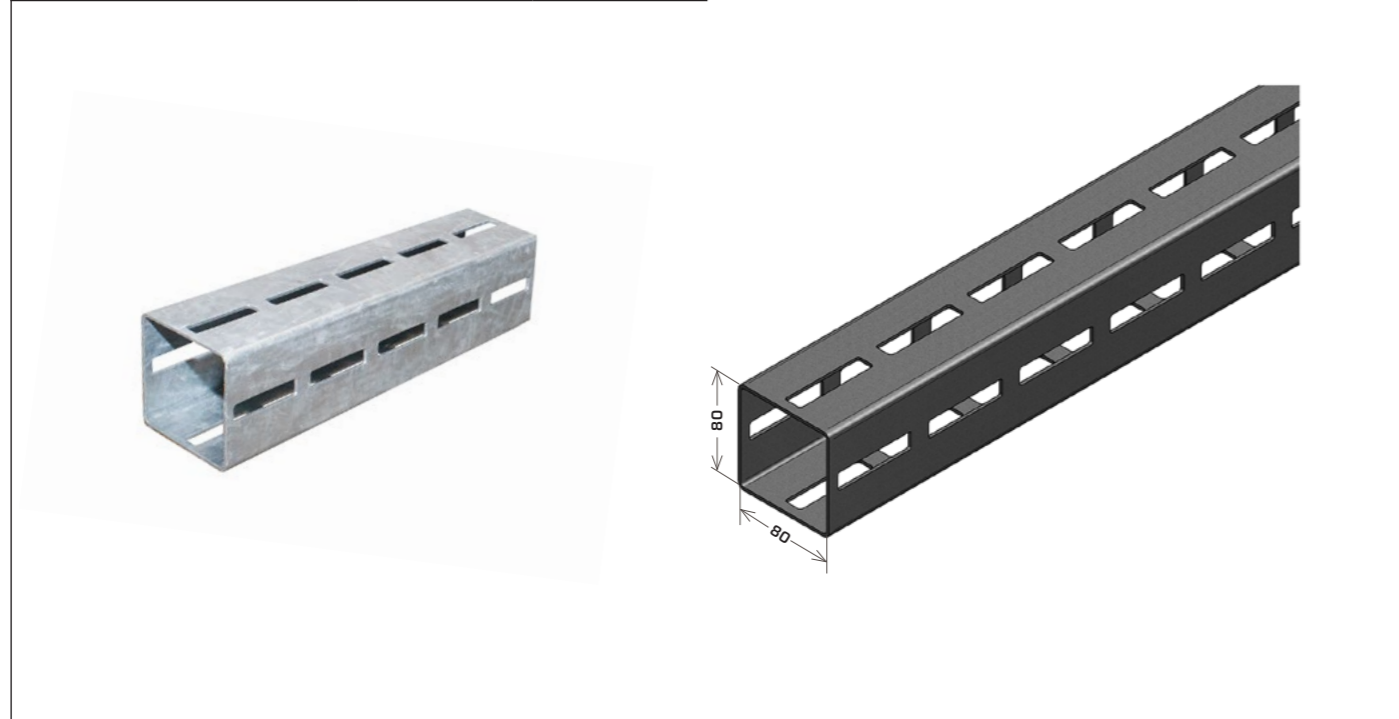
PROFILE	72
BOLTS	74
BASE PLATES	75
BRACKETS	78
CONSOLES	84
COUPLERS	85
PIPE HOLDERS	86
CLAMPING & CONNECTIONS	87

**KEEPING BUSINESS'S  
MOVING & MAKING**

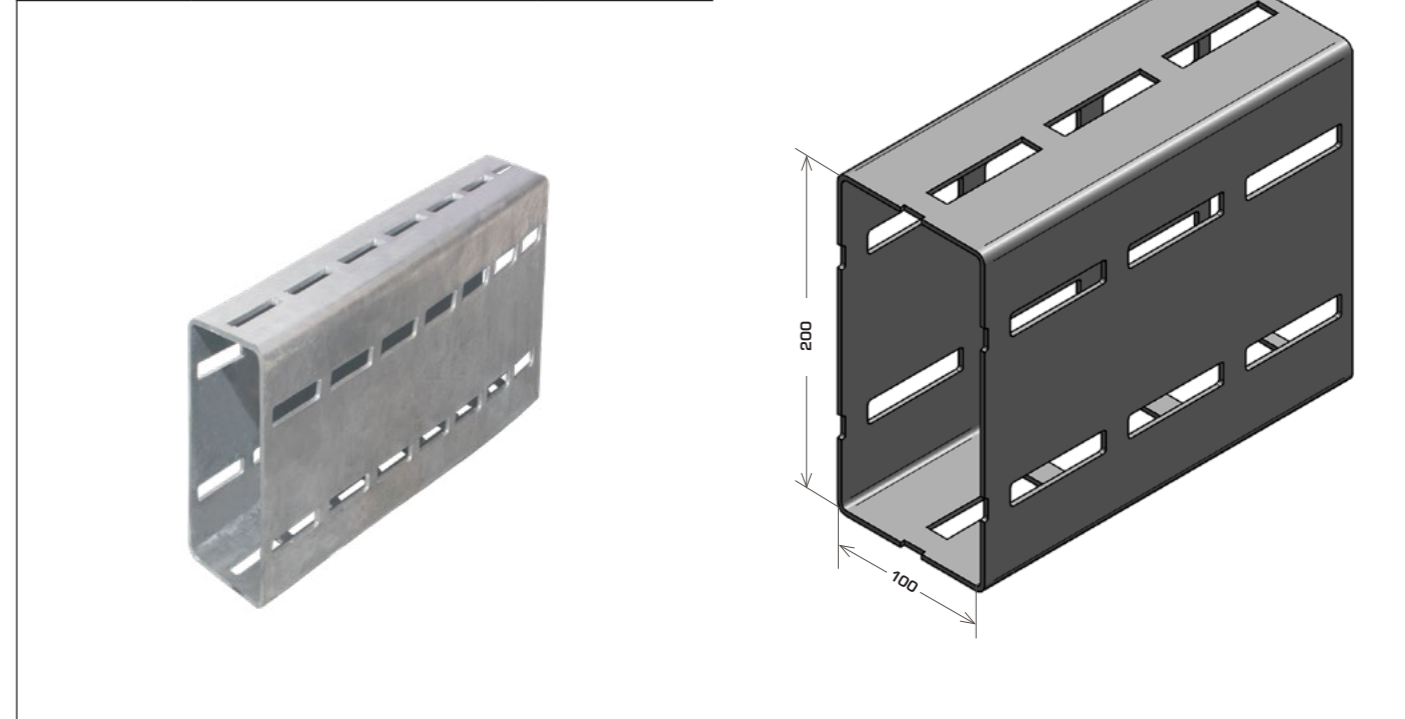
 [www.fdg.nz.com](http://www.fdg.nz.com)  
 [sales@fdg.nz.com](mailto:sales@fdg.nz.com)  
 0800 555 464



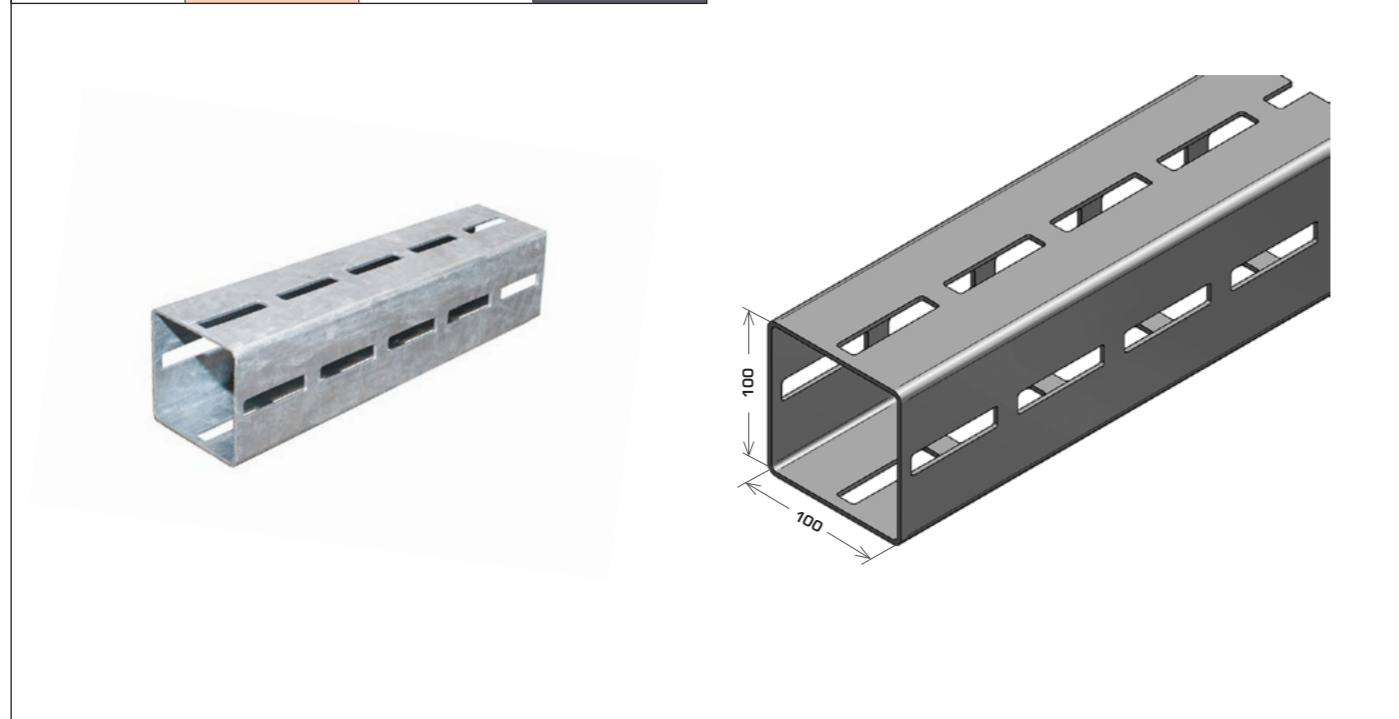
MOD 80 PROFILE			
CODE	DESCRIPTION	LENGTH	FINISH
MOD80HDG	80 x 80 x 2.5	6M	Galv



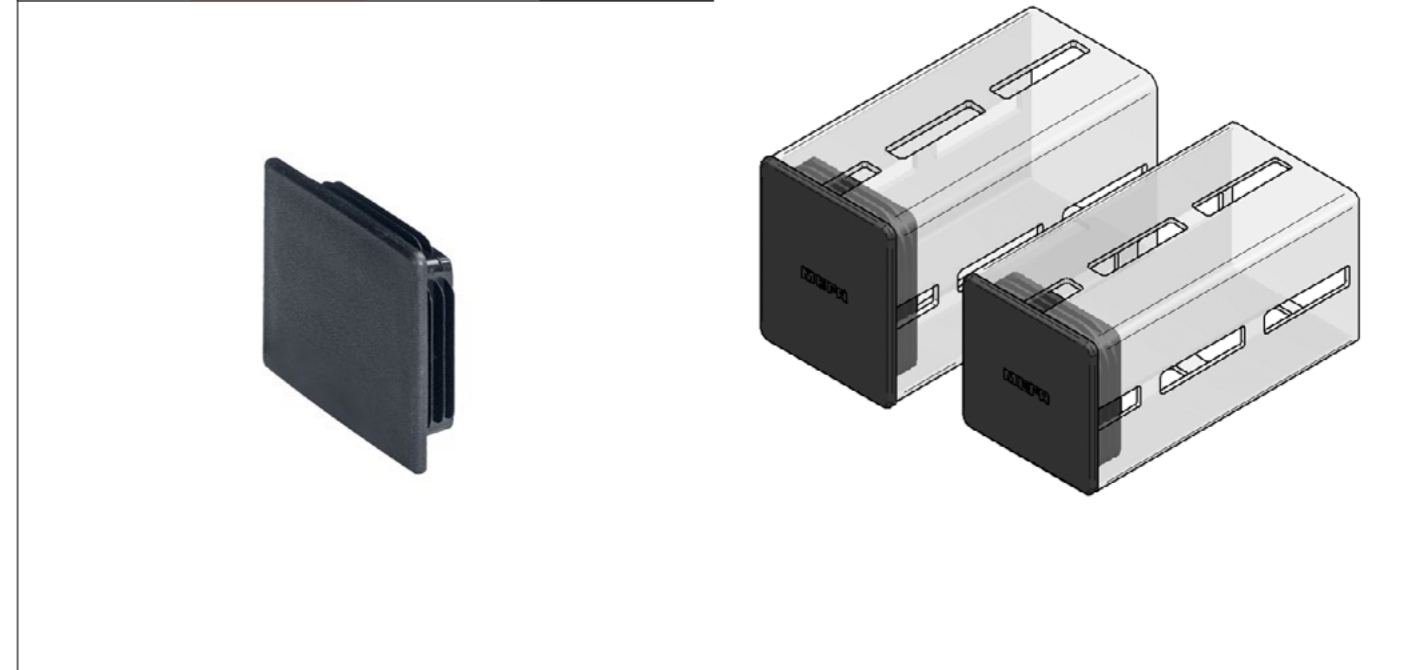
MOD 200 PROFILE			
CODE	DESCRIPTION	LENGTH	FINISH
MOD200HDG	200 x 100 x 5	6M	Galv



MOD 100 PROFILE			
CODE	DESCRIPTION	LENGTH	FINISH
MOD100HDG	100 x 100 x 3	6M	Galv



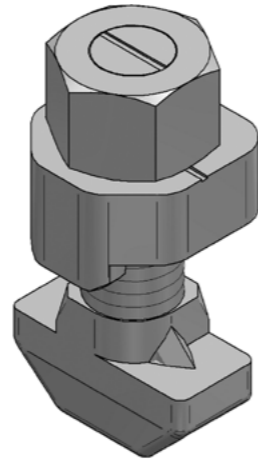
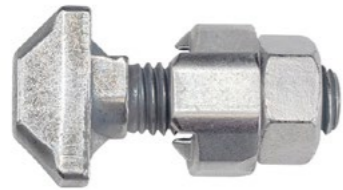
PROTECTING CAP			
CODE	DESCRIPTION	LENGTH	FINISH
MOD80CAP	80 x 80	6M	Galv
MOD100CAP	100 x 100	6M	Galv





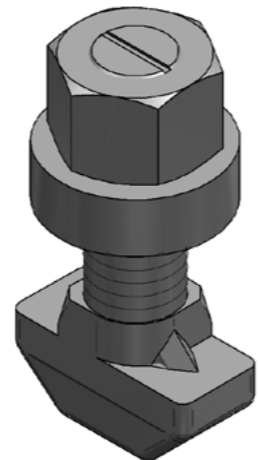
T-LOCK HEAD M12 X 40 TOOTHED

CODE	DESCRIPTION	PACK QTY	FINISH
MODTB/S-AT	12 x 40	1	Galv



T-LOCK HEAD M12 X 40 WASHER

CODE	DESCRIPTION	PACK QTY	FINISH
MODTB/W	12 x 40	1	Galv



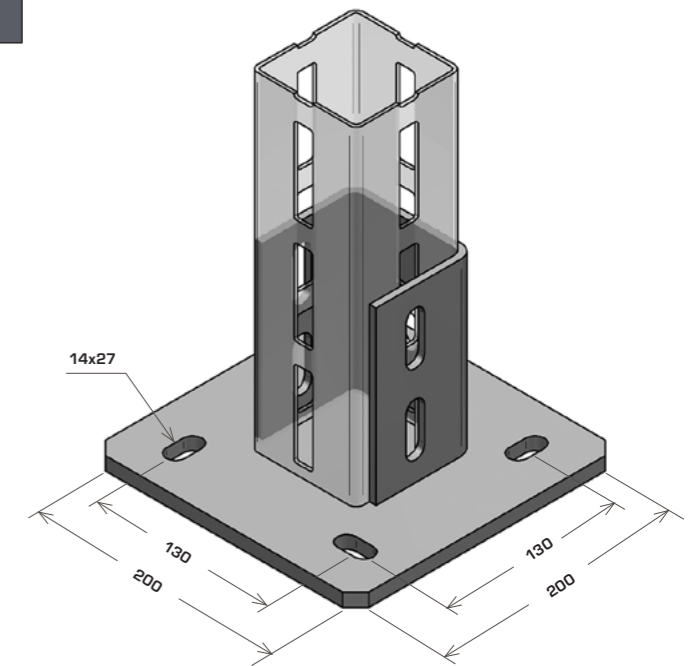
FIXBOBS

CODE	DESCRIPTION	PACK QTY	FINISH
MODFB	12 x 40	1	Zinc Plate



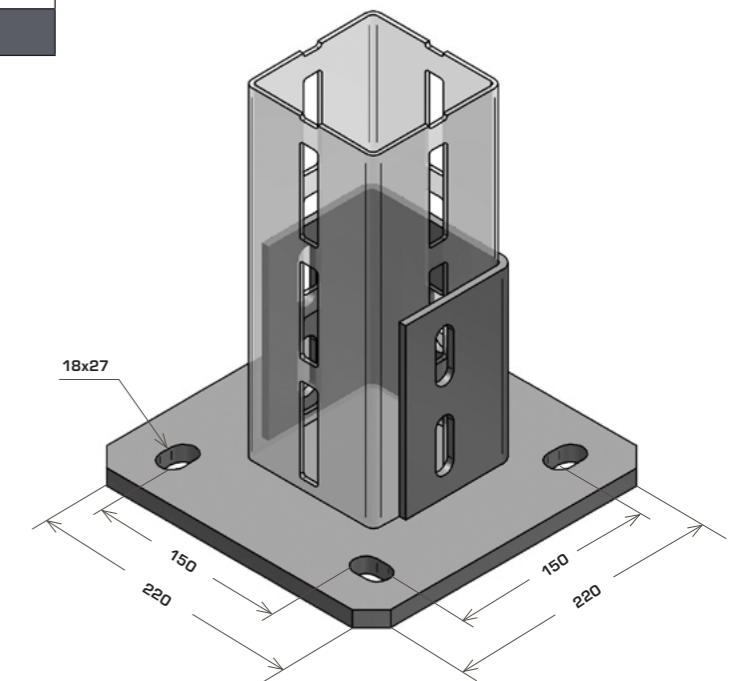
MOD 80 BASE PLATE

CODE	DESCRIPTION	PACK QTY	FINISH
MOD80BP	200 x 200 x 10	1	Galv



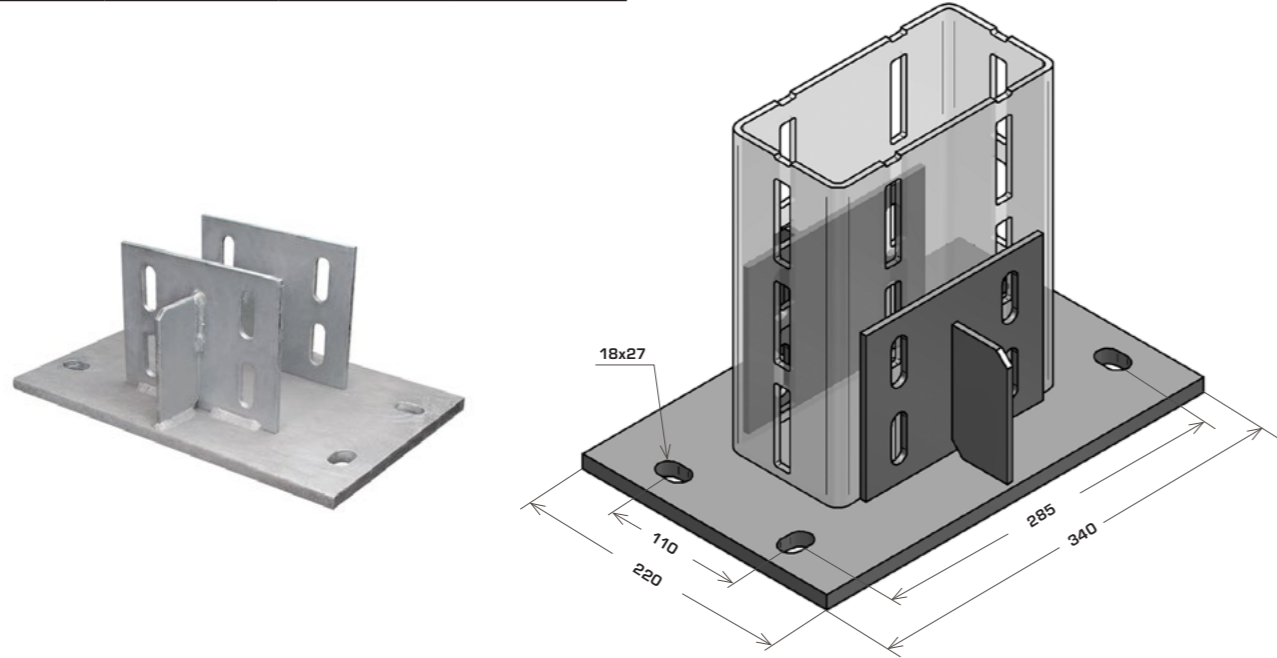
MOD 100 BASE PLATE

CODE	DESCRIPTION	PACK QTY	FINISH
MOD100BP	220 x 220 x 10	1	Galv

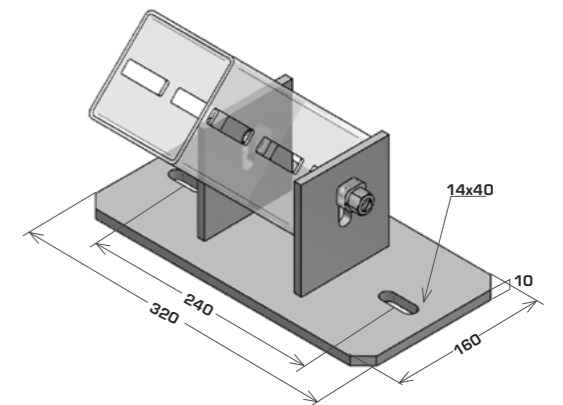




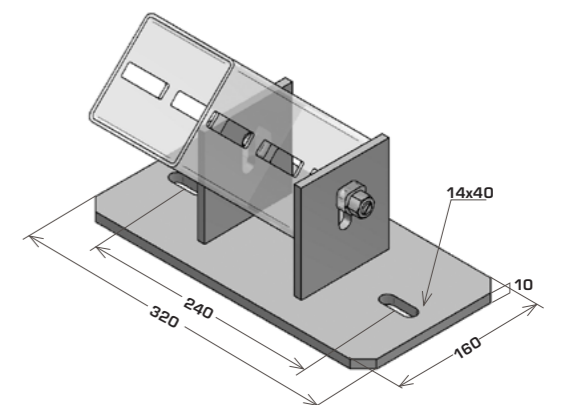
MOD 200 HOLDER			
CODE	DESCRIPTION	PACK QTY	FINISH
MOD200BP	340 x 220 x 10	1	Galv



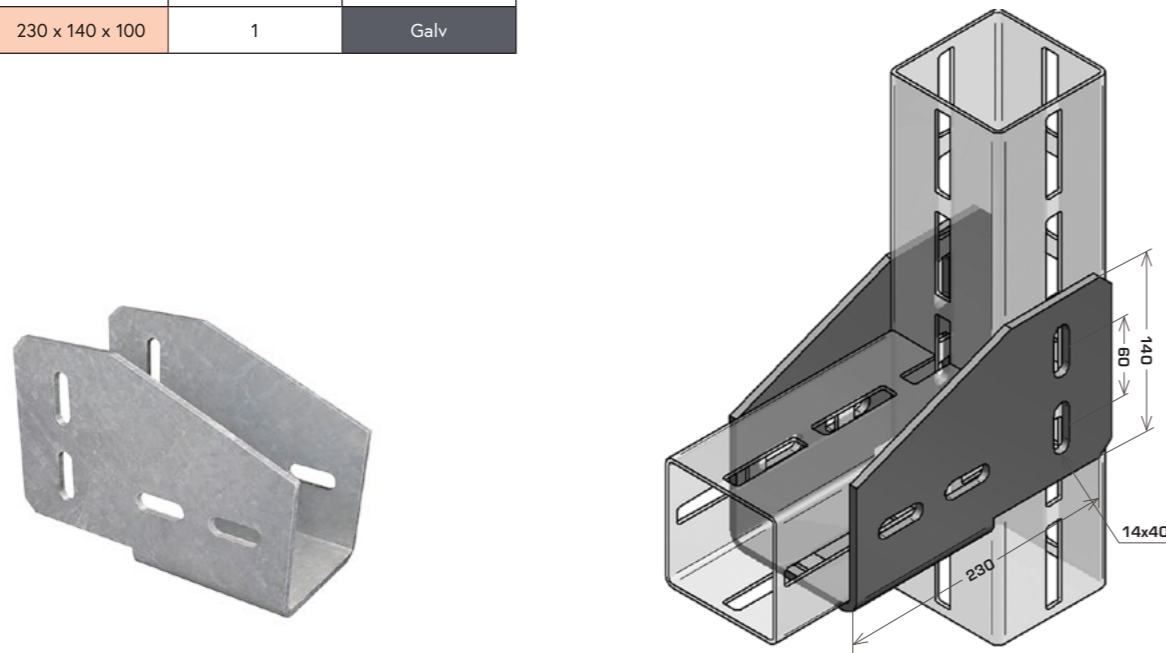
MOD 100 JOINT HOLDER HORIZONTAL			
CODE	DESCRIPTION	PACK QTY	FINISH
MOD100HHB	320 x 160 x 10	1	Galv



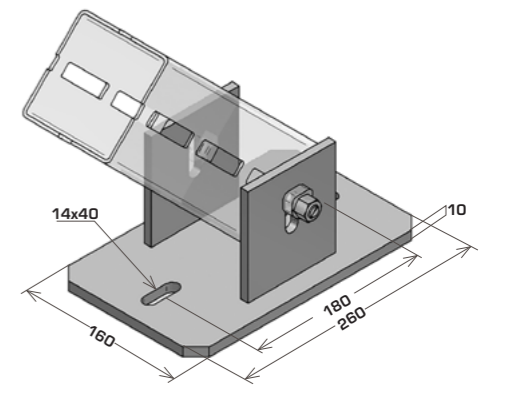
MOD 80 JOINT HOLDER HORIZONTAL			
CODE	DESCRIPTION	PACK QTY	FINISH
MOD80HHB	320 x 160 x 10	1	Galv



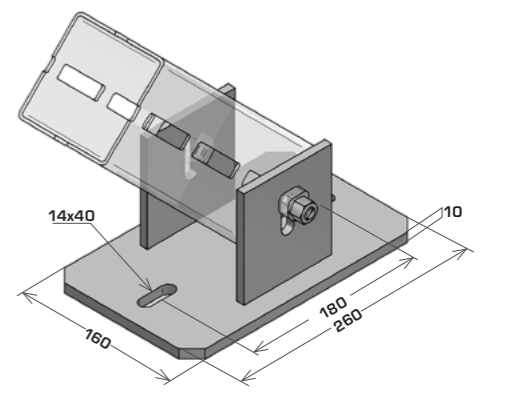
MOD 100 ANGLE-SHOE			
CODE	DESCRIPTION	PACK QTY	FINISH
MOD100AS	230 x 140 x 100	1	Galv



MOD 100 JOINT HOLDER VERTICAL			
CODE	DESCRIPTION	PACK QTY	FINISH
MOD100VHB	260 x 160 x 10	1	Galv



MOD 80 JOINT HOLDER VERTICAL			
CODE	DESCRIPTION	PACK QTY	FINISH
MOD80VHB	260 x 160 x 10	1	Galv

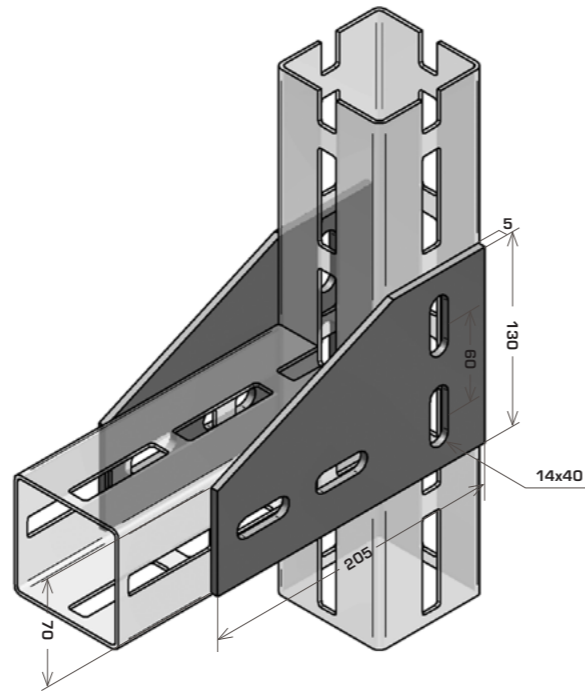




### MOD 80 CORNER PLATE

CODE	DESCRIPTION	PACK QTY	FINISH
MOD80CP	205 x 130 x 6	1	Galv

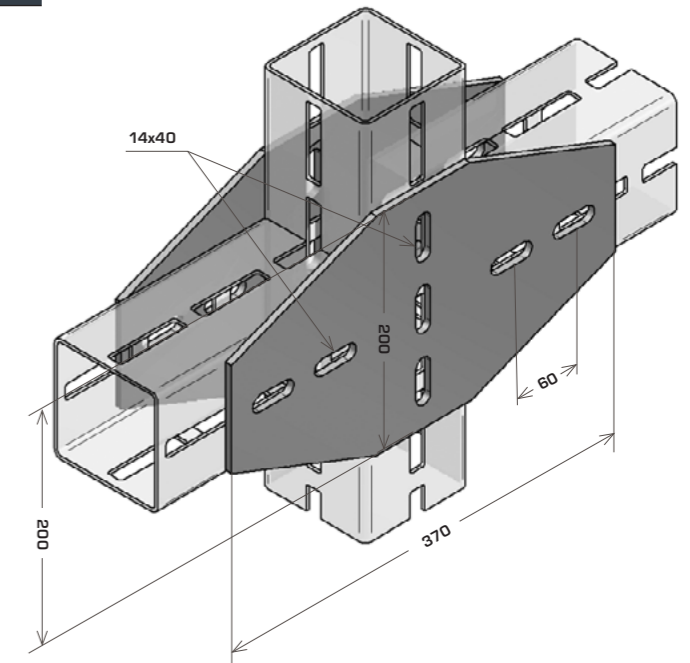
*\*Use in pairs only*



### MOD 100 CROSS PLATE

CODE	DESCRIPTION	PACK QTY	FINISH
MOD100XP	370 x 200 x 6	1	Galv

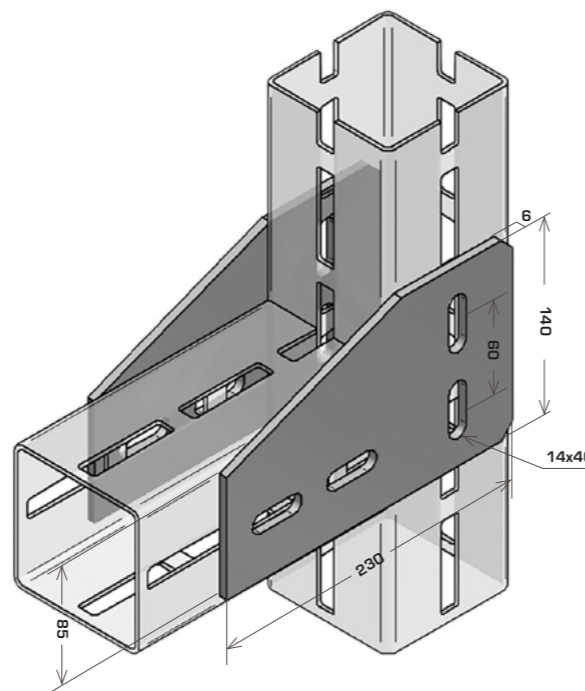
*\*Use in pairs only*



### MOD 100 CORNER PLATE

CODE	DESCRIPTION	PACK QTY	FINISH
MOD100CP	230 x 140 x 6	1	Galv

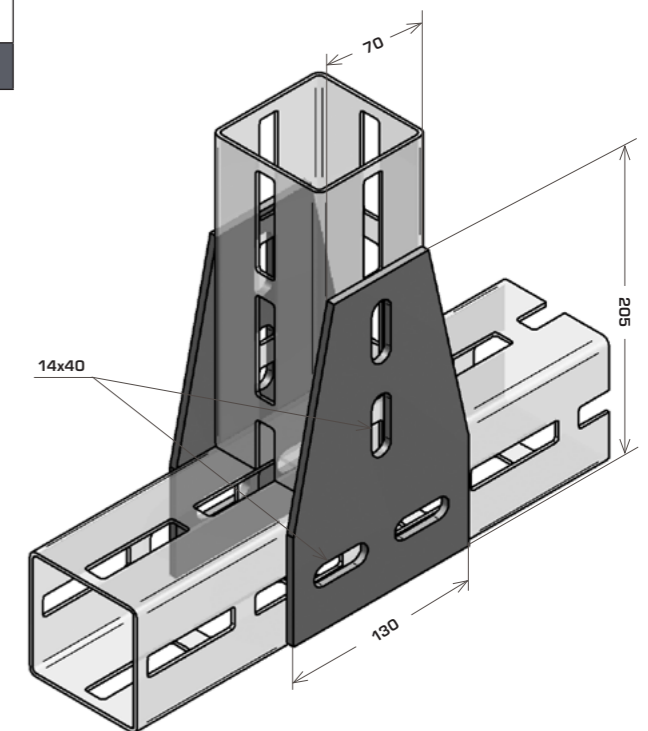
*\*Use in pairs only*



### MOD 80 T-PLATE

CODE	DESCRIPTION	PACK QTY	FINISH
MOD80TP	130 x 205 x 6	1	Galv

*\*Use in pairs only*

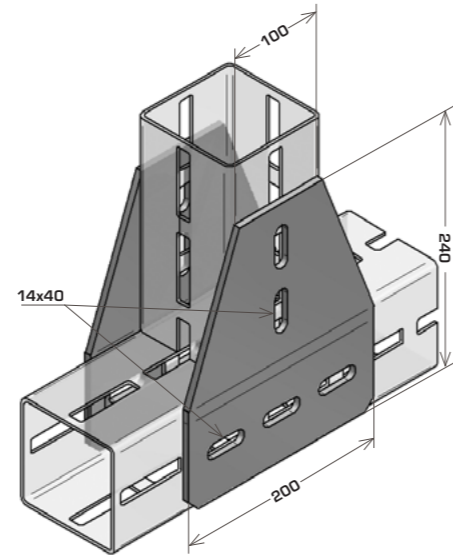




## MOD 100 T-PLATE

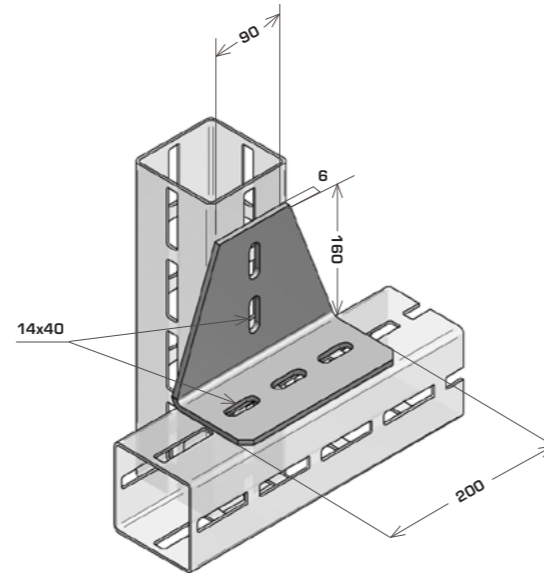
CODE	DESCRIPTION	PACK QTY	FINISH
MOD100TP	200 x 240 x 6	1	Galv

*\*Use in pairs only*



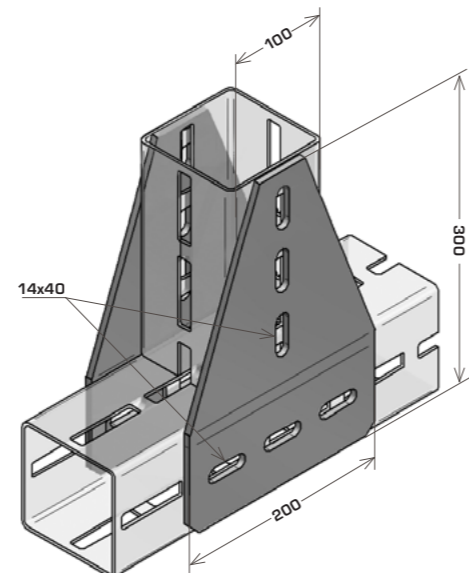
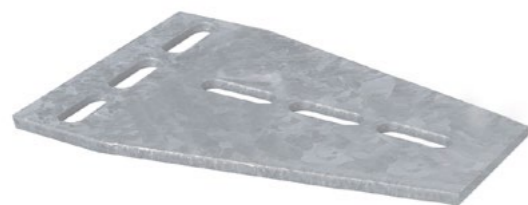
## MOD 100 T-PLATE ANGLED

CODE	DESCRIPTION	PACK QTY	FINISH
MOD100ATP	200 x 160 x 6	1	Galv



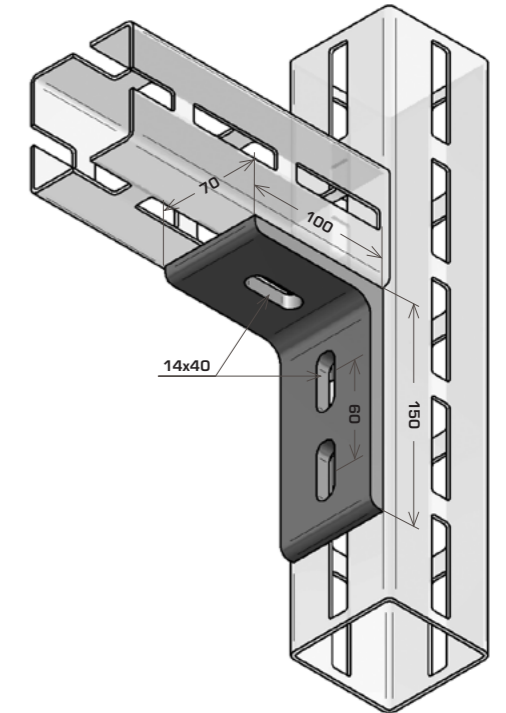
## MOD 100 T-PLATE LARGE

CODE	DESCRIPTION	PACK QTY	FINISH
MOD100TPL	200 x 300 x 6	1	Galv



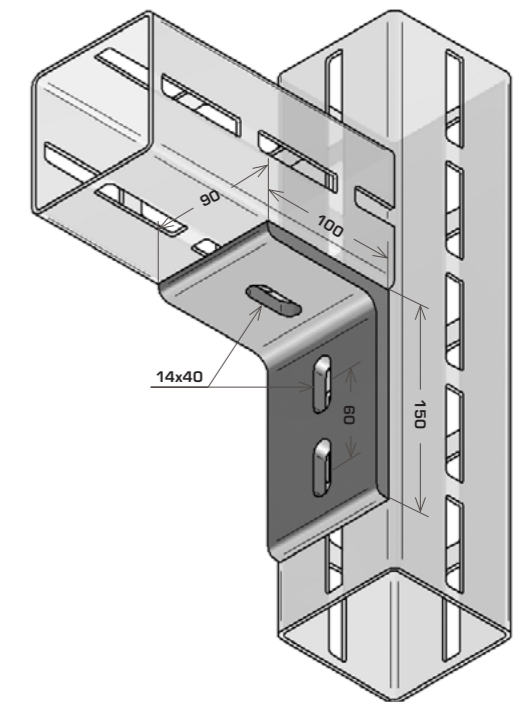
## MOD 80, 3-HOLE ANGLE

CODE	DESCRIPTION	PACK QTY	FINISH
MOD80AB3H	150 x 100 x 70	1	Galv



## MOD 100, 3-HOLE ANGLE

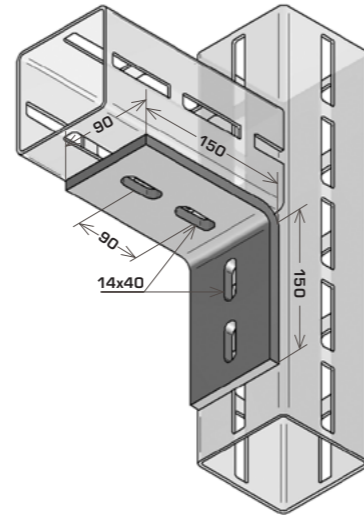
CODE	DESCRIPTION	PACK QTY	FINISH
MOD100AB3H	150 x 100 x 90	1	Galv





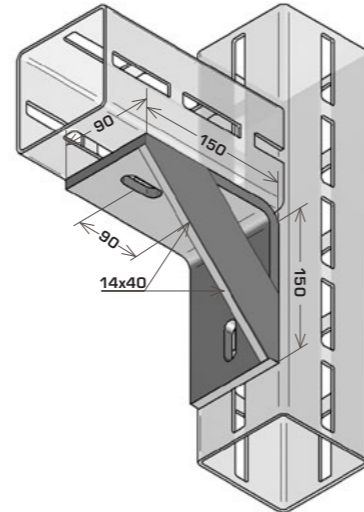
### MOD 100, 4-HOLE ANGLE

CODE	DESCRIPTION	PACK QTY	FINISH
MOD100AB4H	150 x 150 x 90	1	Galv



### 4-HOLE ANGLE WITH BRACE

CODE	DESCRIPTION	PACK QTY	FINISH
MOD80AB4HB	150 x 150 x 70	1	Galv
MOD100AB4HB	150 x 150 x 90	1	Galv



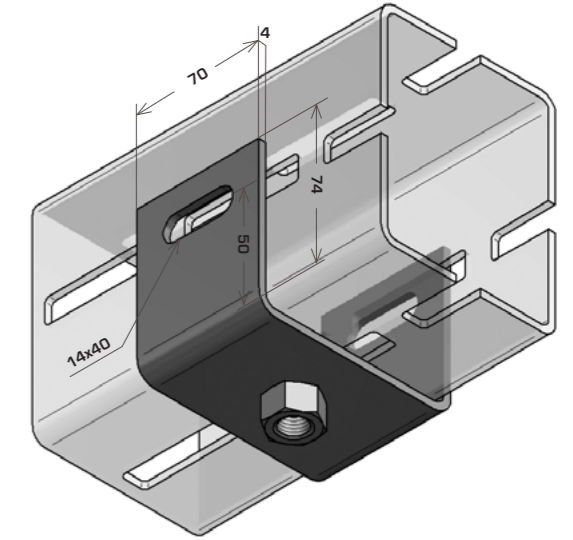
### 2-HOLE ANGLE BRACKET

CODE	DESCRIPTION	PACK QTY	FINISH
MOD100AB2H	100 x 100 x 90	1	Galv



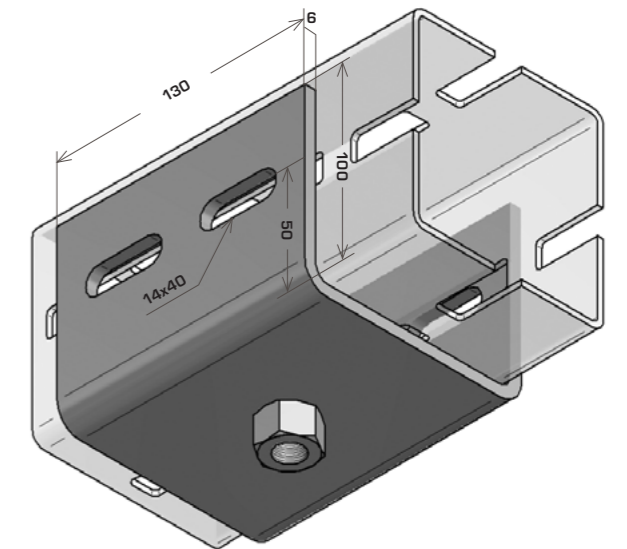
### THREAD CONNECTOR

CODE	DESCRIPTION	PACK QTY	FINISH
MOD100TC12	70 x 100 x 4	1	Galv
MOD100TC16	70 x 100 x 4	1	Galv



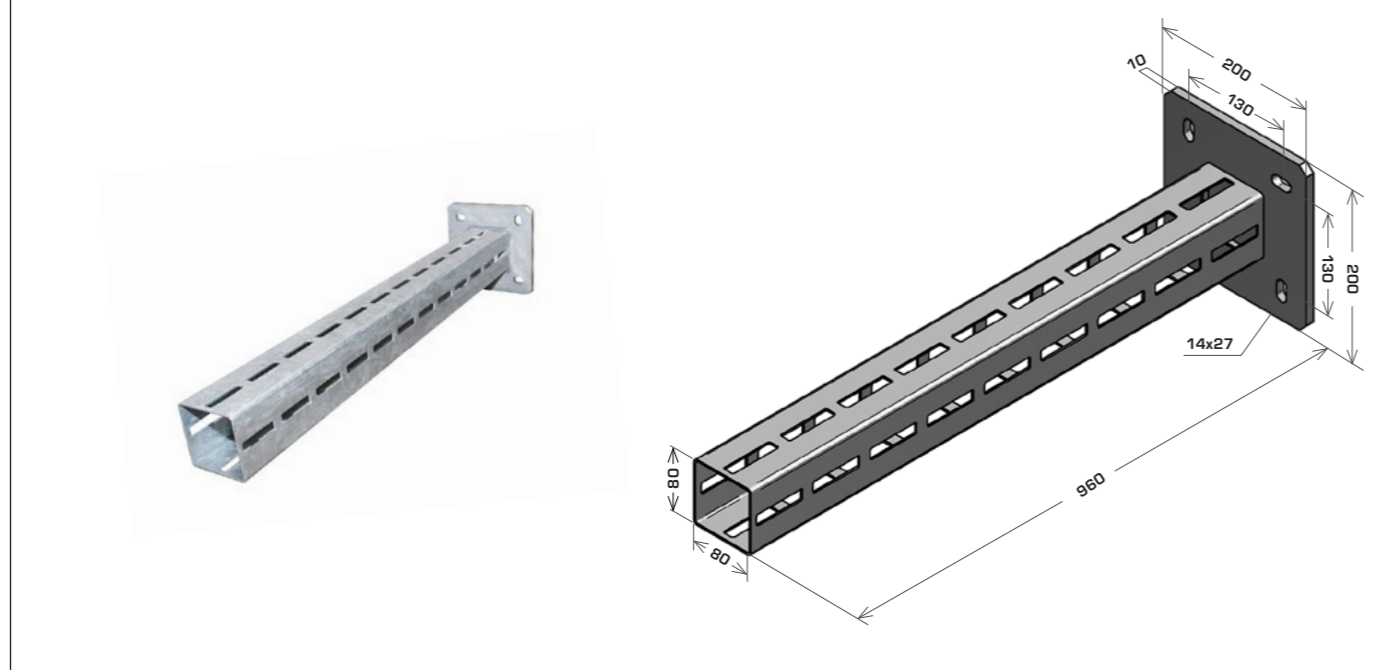
### MASSIVE CONNECTOR

CODE	DESCRIPTION	PACK QTY	FINISH
MOD100MTC16	130 x 100 x 6	1	Galv

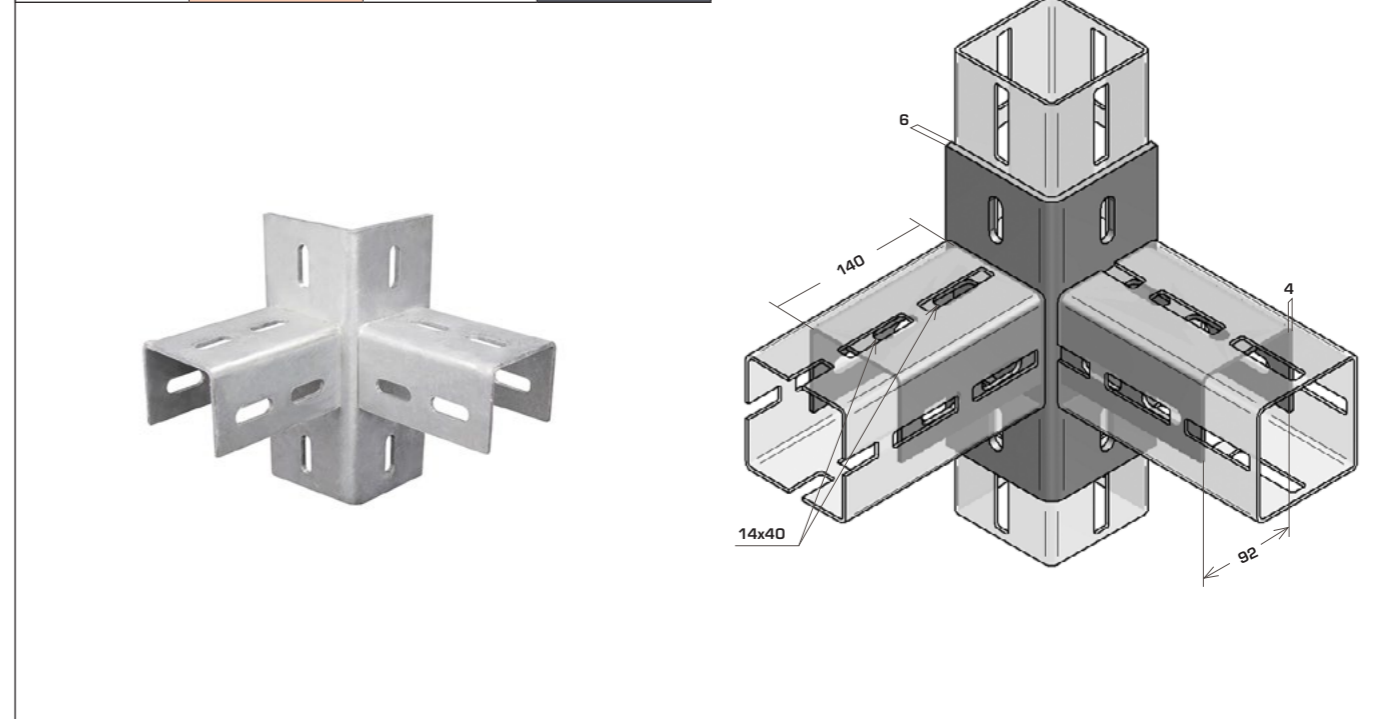




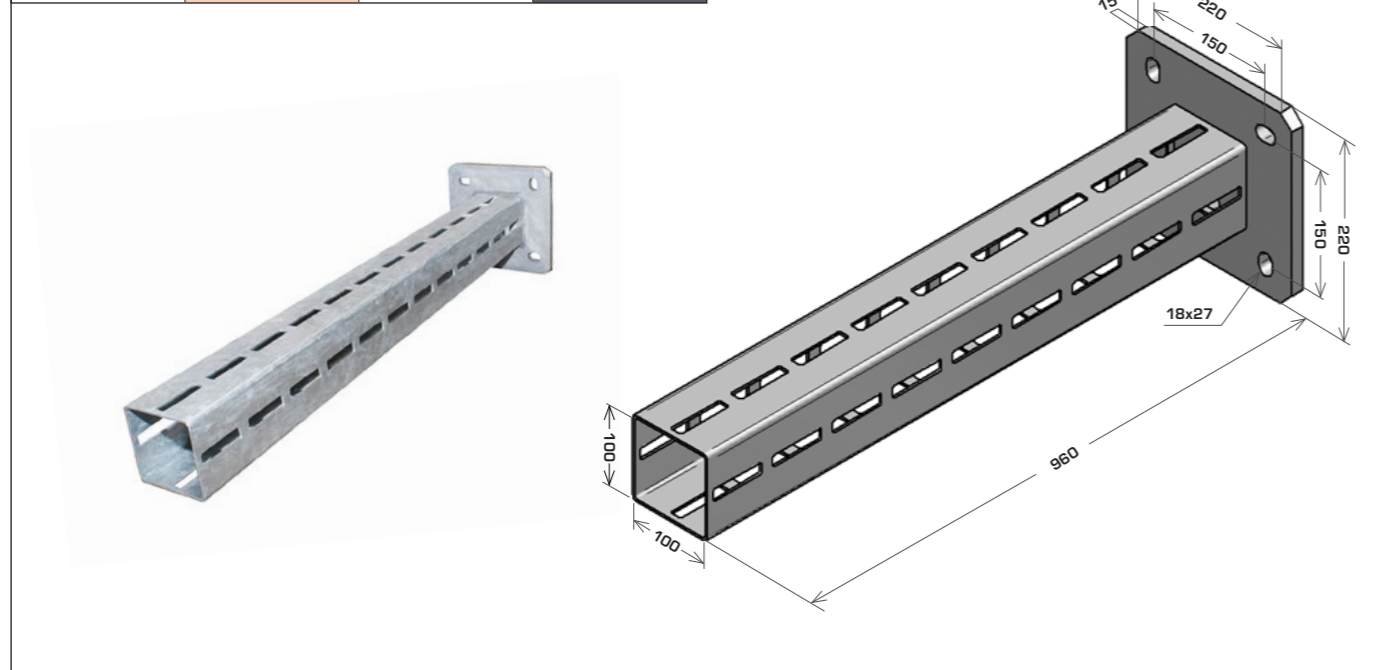
MOD 80 CONSOLE			
CODE	DESCRIPTION	PACK QTY	FINISH
MOD80C960	80 x 80 x 960	1	Galv
MOD80C1440	80 x 80 x 1440	1	Galv



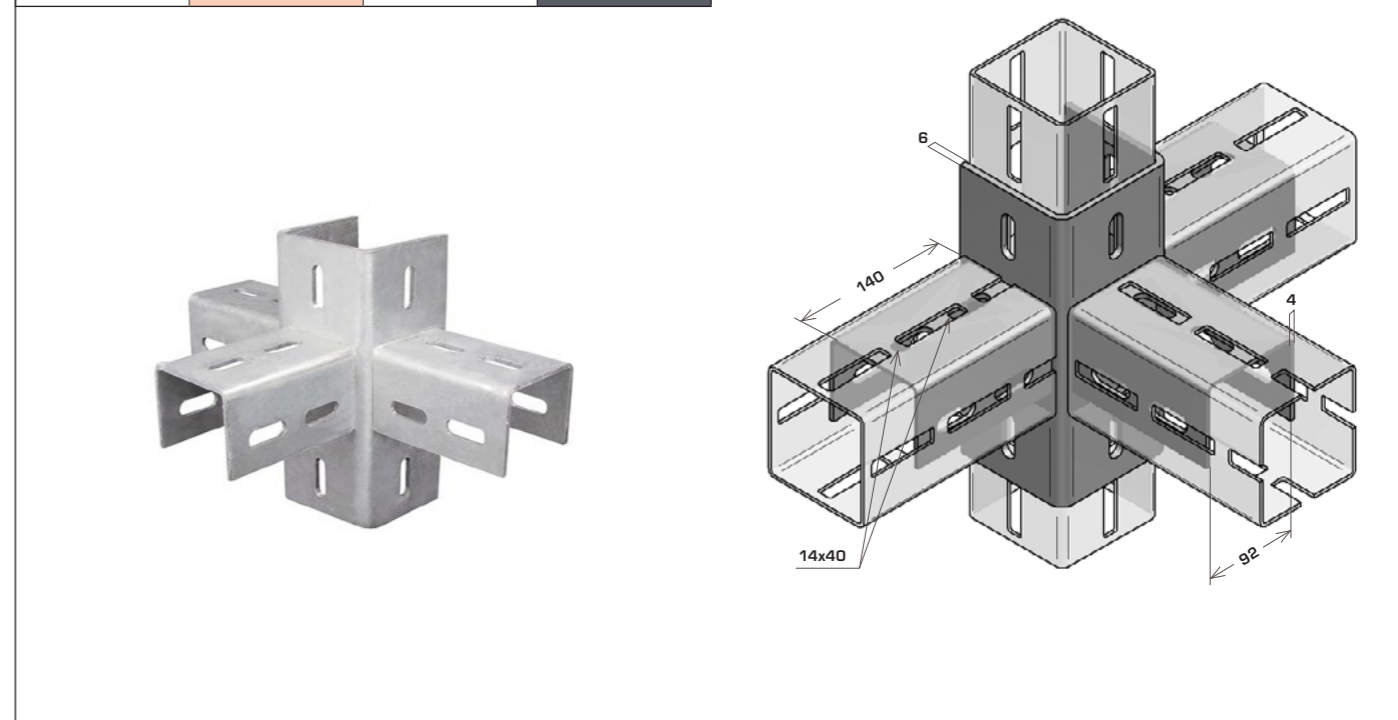
MOD 100 ANGLE COUPLER 90°			
CODE	DESCRIPTION	PACK QTY	FINISH
MOD100AC90	260 x 260	1	Galv



MOD 100 CONSOLE			
CODE	DESCRIPTION	PACK QTY	FINISH
MOD100C960	100 x 100 x 960	1	Galv
MOD100C1440	100 x 100 x 1440	1	Galv



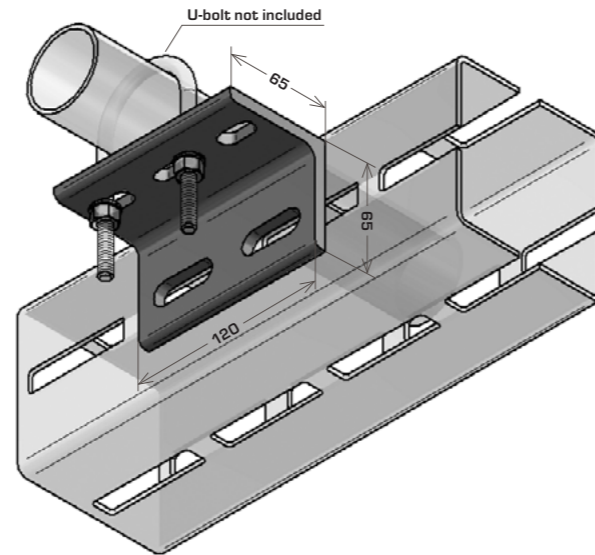
MOD 100 ANGLE COUPLER 180°			
CODE	DESCRIPTION	PACK QTY	FINISH
MOD100AC180	260 x 390	1	Galv





### PIPE HOLDER M10 Ø21.3 - 76.1 MM

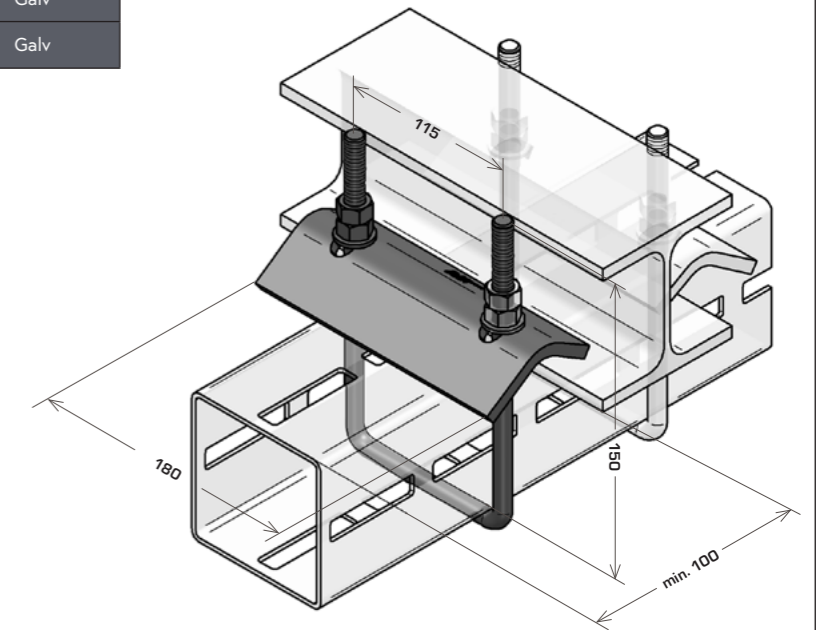
CODE	DESCRIPTION	PACK QTY	FINISH
MODPH130X65	120 x 65	1	Galv



### CLAMPING BOW

CODE	DESCRIPTION	PACK QTY	FINISH
MOD80CB	80 x 150	1	Galv
MOD100CB	100 x 150	1	Galv

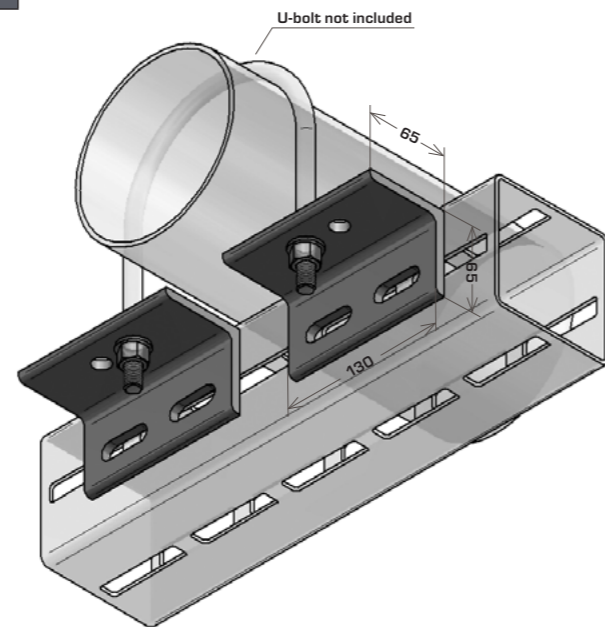
*\*Use in pairs only*



### PIPE HOLDER M10 Ø88.9 - 219.1 MM

CODE	DESCRIPTION	PACK QTY	FINISH
MODPH65X65	130 x 65	1	Galv

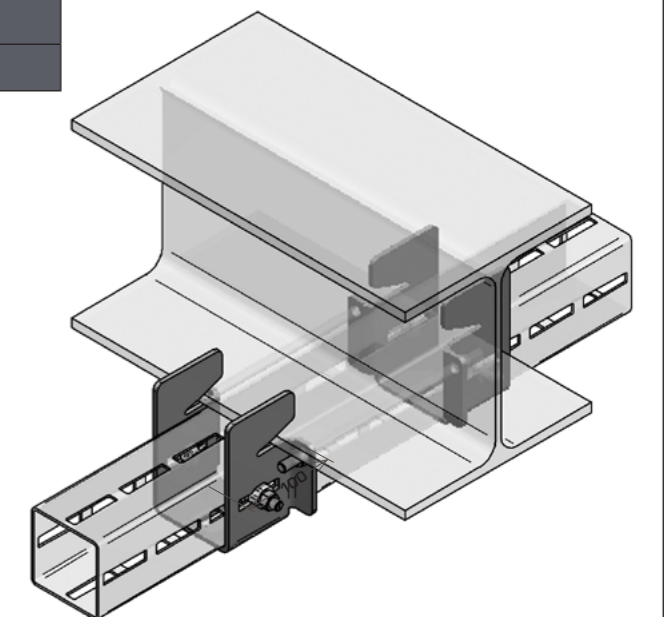
*\*Use in pairs only*



### CLAMPING SHOE

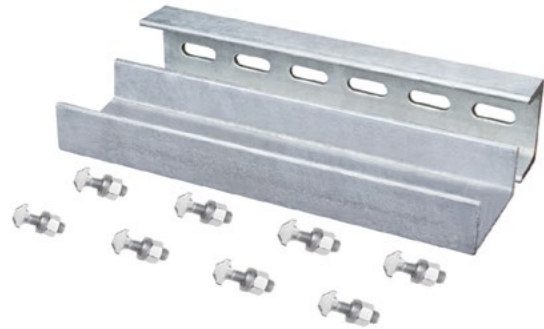
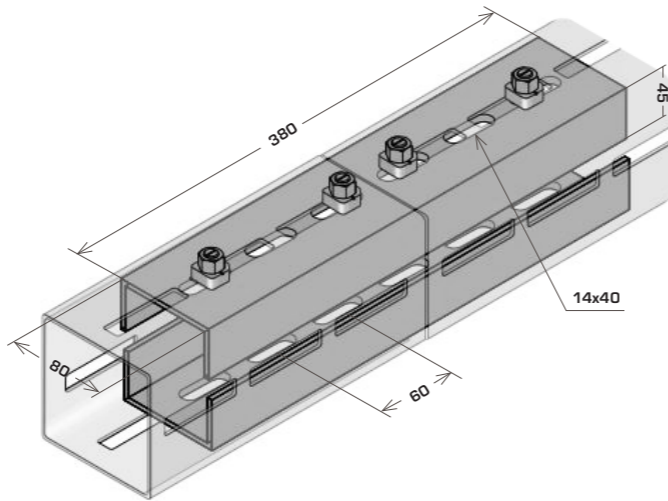
CODE	FLANGE THICKNESS	PACK QTY	FINISH
MODCS-100S	5-10	2	Galv
MODCS-100M	8-15	2	Galv
MODCS-100L	13-20	2	Galv
MODCS-100XL	19-30	2	Galv

*\*Use in pairs only*

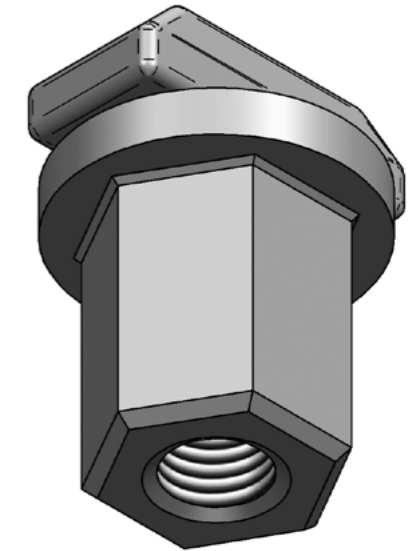




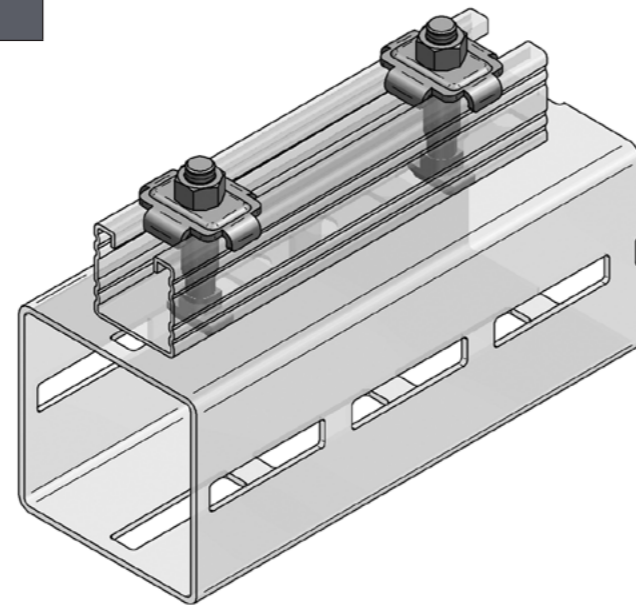
CONNECTOR SET			
CODE	DESCRIPTION	PACK QTY	FINISH
MOD80CS	380 x 80	1	Galv
MOD100CS	380 x 100	1	Galv



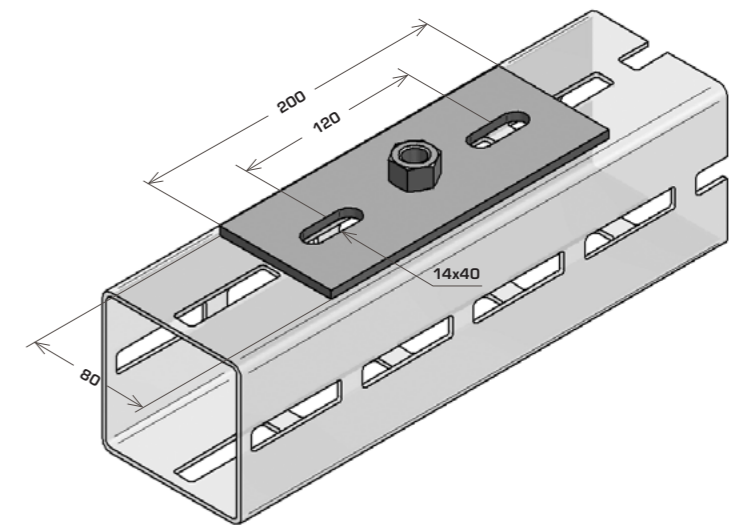
DIRECT CONNECTOR			
CODE	DESCRIPTION	PACK QTY	FINISH
MODDC-10	M10	100	Zinc
MODDC-12	M12	100	Zinc



C-PROFILE CONNECTOR			
CODE	DESCRIPTION	PACK QTY	FINISH
MODSC45	12 x 45	1	Galv
MODSC65	12 x 65	1	Galv



BASE PLATE M16			
CODE	DESCRIPTION	PACK QTY	FINISH
MOD100BP-16	200 x 80	1	Galv

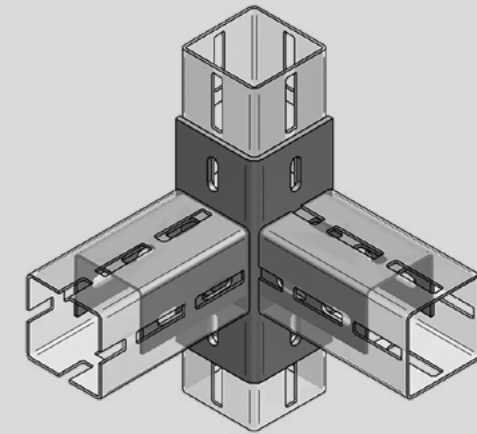


# MODFRAME

German manufactured and designed Modular Framing System — *No Welding Required!*

## ABOUT MODFRAME

FDG's ModFrame is ideally suited to supporting, heavy pipework, HVAC Equipment, large ducts and cable ladders. This high quality, German manufactured system has been extensively used on projects throughout New Zealand and the world. Fixed together using a system of unique modular components and fastened together with a patented T-bolt, ModFrame is an easy yet effective alternative to welded systems. ModFrame is bringing flexibility and efficiency to the construction industry and is becoming the new norm as a replacement for traditional costly welded frames.



## KEY ADVANTAGES

- ✓ Eliminates the need for welding, drilling and galvanizing.
- ✓ Gain up to 60% time savings and significantly reduced material weights.
- ✓ All components are Hot Dipped Galvanized, with the exception of T-Bolts, which are zinc-nickel (electroplated).
- ✓ A standard range of system components are stocked and readily available.
- ✓ Its modular nature means site modifications are easily completed.
- ✓ Frames, supports and modules can be designed by the FDG Team to be fully compliant with NZS 1170.5.

## ENGINEERING & DESIGN

FDG offers an engineering and design service for any frames or heavy-duty supports you require throughout your project. We will work together to co-ordinate your design and help you complete your project on-time and on budget.

A full engineering report will be supplied along with a package of layout drawings and a comprehensive bill-of-materials. Engineering data and CAD files are available upon request from the FDG Team, who can assist your internal teams with design in the early stages.





## PIPE CLAMPS

RUBBER LINED CLAMPS	94
DUCT CLAMPS	95
WELDED BOSS CLAMPS	97
LIGHT DUTY PIPE CLAMPS	99
PIPE U-BOLTS	102
MEDIUM DUTY PIPE CLAMPS	103
HEAVY DUTY PIPE CLAMPS	106
CHANNEL CLIP	108
PIPE STICKERS	110
RUBBER PROFILE	112

**KEEPING BUSINESS'S  
MOVING & MAKING**

 [www.fdg.nz.com](http://www.fdg.nz.com)  
 [sales@fdg.nz.com](mailto:sales@fdg.nz.com)  
 0800 555 464

**QUICK LOCK CLAMP - ZINC PLATE**

RANGE	CODE	PACK QTY
12-14mm	HCPB12-14ZP	150
15-19mm	HCPB15-19ZP	150
21-23mm	HCPB21-23ZP	100
26-28mm	HCPB26-28ZP	100
32-35mm	HCPB32-35ZP	100
38-45mm	HCPB38-45ZP	50
48-56mm	HCPB48-56ZP	50
57-61mm	HCPB57-61ZP	50
63-70mm	HCPB63-70ZP	50
74-80mm	HCPB74-80ZP	50
83-91mm	HCPB83-91ZP	50
100-105mm	HCPB100-105ZP	25
108-114mm	HCPB108-114ZP	25
115-125mm	HCPB115-125ZP	25
159-169mm	HCPB159-169ZP	20



**QUICK LOCK CLAMP - DACROMET**

RANGE	CODE	PACK QTY
12-14mm	HCPB12-14D	150
15-19mm	HCPB15-19D	150
21-23mm	HCPB21-23D	100
26-28mm	HCPB26-28D	100
32-35mm	HCPB32-35D	100
38-45mm	HCPB38-45D	50
48-56mm	HCPB48-56D	50
57-61mm	HCPB57-61D	50
63-65mm	HCPB63-65D	50
74-80mm	HCPB74-80D	50
83-91mm	HCPB83-91D	50
100-105mm	HCPB100-105D	25
108-114mm	HCPB108-114D	25
115-125mm	HCPB115-125D	25
135-140mm	HCPB135-140D	20
140-146mm	HCPB140-146D	20
159-169mm	HCPB159-169D	20
204-210mm	HCPB204-210D	20



**QUICK LOCK CLAMP - STAINLESS**

RANGE	CODE	PACK QTY
15-19mm	HCPB15-19A4	150
21-23mm	HCPB21-23A4	100
26-28mm	HCPB26-28A4	100
32-35mm	HCPB32-35A4	100
38-45mm	HCPB38-45A4	50
48-56mm	HCPB48-56A4	50
63-70mm	HCPB63-70A4	50
74-80mm	HCPB74-80A4	50
83-91mm	HCPB83-91A4	50
108-114mm	HCPB108-114A4	25
159-169mm	HCPB159-169A4	20



**SPIRAL DUCT CLAMP**

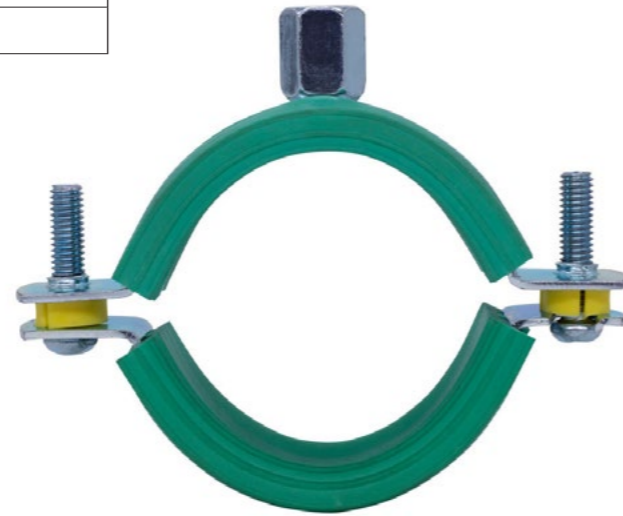
RANGE	CODE	PACK QTY
100mm	HCDB100ZP	25
125mm	HCDB125ZP	25
150mm	HCDB150ZP	20
180mm	HCDB180ZP	20
200mm	HCDB200ZP	15
250mm	HCDB250ZP	10
300mm	HCDB300ZP	10
350mm	HCDB350ZP	10
400mm	HCDB400ZP	10
450mm	HCDB450ZP	5
500mm	HCDB500ZP	5
600mm	HCDB600ZP	5



\*Other sizes available on request

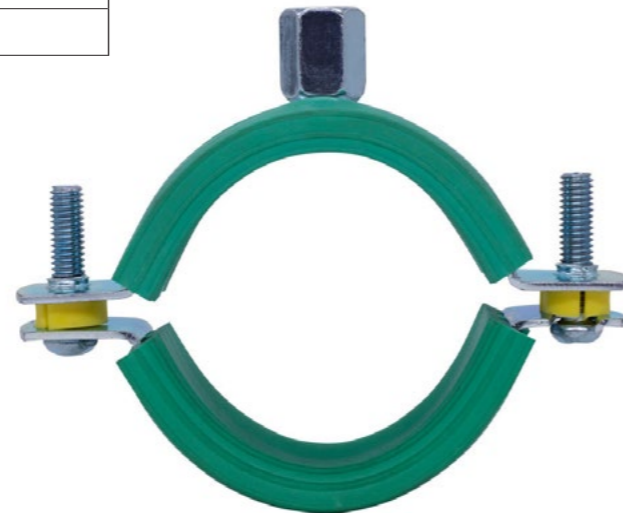
## GREEN QUICK LOCK CLAMP - ZINC

RANGE	CODE	PACK QTY
26-28mm	HCPG26-28ZP	100
32-35mm	HCPG32-35ZP	100
38-43mm	HCPG38-43ZP	50



## GREEN QUICK LOCK CLAMP - DACROMET

RANGE	CODE	PACK QTY
26-28mm	HCPG26-28D	100
32-35mm	HCPG32-35D	100
38-43mm	HCPG38-43D	50



## WELDED BOSS CLAMP ZINC PLATE

CODE	DESCRIPTION	BOSS
HCDB15Z-AON	21.2od (15NB) Zinc Pipe Clamp - Welded Boss - AON Listed	M10 & M12
HCDB20Z-AON	27.0od (20NB) Zinc Pipe Clamp - Welded Boss - AON Listed	M10 & M12
HCDB25Z-AON	34.0od (25NB) Zinc Pipe Clamp - Welded Boss - AON Listed	M10 & M12
HCDB32Z-AON	43.0od (32NB) Zinc Pipe Clamp - Welded Boss - AON Listed	M10 & M12
HCDB40Z-AON	48.0od (40NB) Zinc Pipe Clamp - Welded Boss - AON Listed	M10 & M12
HCDB50Z-AON	60.0od (50NB) Zinc Pipe Clamp - Welded Boss - AON Listed	M10 & M12
HCDB65Z-AON	76.0od (65NB) Zinc Pipe Clamp - Welded Boss - AON Listed	M10 & M12
HCDB80Z-AON	89.0od (80NB) Zinc Pipe Clamp - Welded Boss - AON Listed	M10 & M12
HCDB100Z-AON	115od (100NB) Zinc Pipe Clamp - Welded Boss - AON Listed	M10 & M12
HCDB125Z-AON	140od (125NB) Zinc Pipe Clamp - Welded Boss - AON Listed	M10 & M12
HCDB150Z-AON	168od (150NB) Zinc Pipe Clamp - Welded Boss - AON Listed	M10 & M12

Listed By **AON**  
Complies to NZS4541:2020



## WELDED BOSS CLAMP HDG

CODE	DESCRIPTION	BOSS
HCDB15G-AON	21.2od (15NB) HDG Pipe Clamp - Welded Boss - AON Listed	M10 & M12
HCDB20G-AON	27.0od (20NB) HDG Pipe Clamp - Welded Boss - AON Listed	M10 & M12
HCDB25G-AON	34.0od (25NB) HDG Pipe Clamp - Welded Boss - AON Listed	M10 & M12
HCDB32G-AON	43.0od (32NB) HDG Pipe Clamp - Welded Boss - AON Listed	M10 & M12
HCDB40G-AON	48.0od (40NB) HDG Pipe Clamp - Welded Boss - AON Listed	M10 & M12
HCDB50G-AON	60.0od (50NB) HDG Pipe Clamp - Welded Boss - AON Listed	M10 & M12
HCDB65G-AON	76.0od (65NB) HDG Pipe Clamp - Welded Boss - AON Listed	M10 & M12
HCDB80G-AON	89.0od (80NB) HDG Pipe Clamp - Welded Boss - AON Listed	M10 & M12
HCDB100G-AON	115od (100NB) HDG Pipe Clamp - Welded Boss - AON Listed	M10 & M12
HCDB125G-AON	140od (125NB) HDG Pipe Clamp - Welded Boss - AON Listed	M10 & M12
HCDB150G-AON	168od (150NB) HDG Pipe Clamp - Welded Boss - AON Listed	M10 & M12

Listed By **AON**  
Complies to NZS4541:2020



WELDED BOSS CLAMP STAINLESS A4		
CODE	DESCRIPTION	BOSS
HCDB15A4-AON	21.2od (15NB) Stainless Pipe Clamp - Welded Boss - AON Listed	M10
HCDB20A4-AON	27.0od (20NB) Stainless Pipe Clamp - Welded Boss - AON Listed	M10
HCDB25A4-AON	34.0od (25NB) Stainless Pipe Clamp - Welded Boss - AON Listed	M10
HCDB32A4-AON	43.0od (32NB) Stainless Pipe Clamp - Welded Boss - AON Listed	M10
HCDB40A4-AON	48.0od (40NB) Stainless Pipe Clamp - Welded Boss - AON Listed	M10
HCDB50A4-AON	60.0od (50NB) Stainless Pipe Clamp - Welded Boss - AON Listed	M10
HCDB65A4-AON	76.0od (65NB) Stainless Pipe Clamp - Welded Boss - AON Listed	M10
HCDB80A4-AON	89.0od (80NB) Stainless Pipe Clamp - Welded Boss - AON Listed	M10
HCDB100A4-AON	115od (100NB) Stainless Pipe Clamp - Welded Boss - AON Listed	M10
HCDB125A4-AON	140od (125NB) Stainless Pipe Clamp - Welded Boss - AON Listed	M10
HCDB150A4-AON	168od (150NB) Stainless Pipe Clamp - Welded Boss - AON Listed	M10



LIGHT DUTY SADDLE CLAMP				
CODE	DIAMETER	W X T	DESCRIPTION	STEEL PIPE SIZE
FDG4-016G	16 mm	25 x 3	16mm (16 CU) Light Duty Saddle Clamp HDG	16 CU
FDG4-019G	19 mm	25 x 3	19mm (20 CU) Light Duty Saddle Clamp HDG	20 CU
FDG4-021G	21 mm	25 x 3	21mm (15 NB) Light Duty Saddle Clamp HDG	15 NB
FDG4-025G	25mm	25 x 3	25mm (25 CU) Light Duty Saddle Clamp HDG	25 CU
FDG4-027G	27mm	25 x 3	27mm (20 NB) Light Duty Saddle Clamp HDG	20 NB
FDG4-032G	32mm	25 x 3	32mm (32 CU) Light Duty Saddle Clamp HDG	32 CU
FDG4-034G	34mm	25 x 3	34mm (25 NB) Light Duty Saddle Clamp HDG	25 NB
FDG4-038G	38mm	25 x 3	38mm (38 CU) Light Duty Saddle Clamp HDG	38 CU
FDG4-043G	43mm	25 x 3	43mm (32 NB) Light Duty Saddle Clamp HDG	32 NB
FDG4-048G	48mm	25 x 3	48mm (40 NB) Light Duty Saddle Clamp HDG	40 NB
FDG4-051G	51mm	25 x 3	51mm (50 CU) Light Duty Saddle Clamp HDG	50 CU
FDG4-060G	60mm	25 x 3	60mm (50 NB) Light Duty Saddle Clamp HDG	50 NB
FDG4-064G	64mm	25 x 3	64mm (65 CU) Light Duty Saddle Clamp HDG	65 CU
FDG4-073G	73mm	25 x 3	73mm (65 NB) Light Duty Saddle Clamp HDG	65 NB
FDG4-076G	76mm	25 x 3	76mm (80 CU) Light Duty Saddle Clamp HDG	80 CU
FDG4-089G	89mm	25 x 3	89mm (80 NB) Light Duty Saddle Clamp HDG	80 NB
FDG4-095G	95mm	25 x 3	95mm (95 CU) Light Duty Saddle Clamp HDG	95 CU
FDG4-102G	102mm	25 x 3	102mm (100 CU) Light Duty Saddle Clamp HDG	100 CU
FDG4-114G	114mm	25 x 3	114mm (100 NB) Light Duty Saddle Clamp HDG	100 NB

\* Note: Custom sizes and finishes available on request.



# CUSTOM-MADE CLAMPS AVAILABLE

TALK TO US TODAY TO FIND OUT MORE ABOUT WHAT WE HAVE ON OFFER: 0800 555 464 OR [sales@fdgnz.com](mailto:sales@fdgnz.com)

**LIGHT DUTY TWO-PIECE PIPE CLAMP**

CODE	DIAMETER	W X T	DESCRIPTION	STEEL PIPE SIZE
FDG6-019G	19 mm	25 x 3	19mm (20 CU) Light Duty Two-Piece Pipe Clamp HDG	20 CU
FDG6-021G	21 mm	25 x 3	21mm (15 NB) Light Duty Two-Piece Pipe Clamp HDG	15 NB
FDG6-025G	25 mm	25 x 3	25mm (25 CU) Light Duty Two-Piece Pipe Clamp HDG	25 CU
FDG6-027G	27 mm	25 x 3	27mm (20 NB) Light Duty Two-Piece Pipe Clamp HDG	20 NB
FDG6-032G	32 mm	25 x 3	32mm (32 CU) Light Duty Two-Piece Pipe Clamp HDG	32 CU
FDG6-034G	34 mm	25 x 3	34mm (25 NB) Light Duty Two-Piece Pipe Clamp HDG	25 NB
FDG6-038G	38 mm	25 x 3	38mm (38 CU) Light Duty Two-Piece Pipe Clamp HDG	38 CU
FDG6-043G	43 mm	25 x 3	43mm (32 NB) Light Duty Two-Piece Pipe Clamp HDG	32 NB
FDG6-048G	48 mm	25 x 3	48mm (40 NB) Light Duty Two-Piece Pipe Clamp HDG	40 NB
FDG6-051G	51 mm	25 x 3	51mm (50 CU) Light Duty Two-Piece Pipe Clamp HDG	50 CU
FDG6-060G	60 mm	25 x 3	60mm (50 NB) Light Duty Two-Piece Pipe Clamp HDG	50 NB
FDG6-064G	64 mm	25 x 3	64mm (65 CU) Light Duty Two-Piece Pipe Clamp HDG	65 CU
FDG6-073G	73 mm	25 x 3	73mm (65 NB) Light Duty Two-Piece Pipe Clamp HDG	65 NB
FDG6-076G	76 mm	25 x 3	76mm (80 CU) Light Duty Two-Piece Pipe Clamp HDG	80 CU
FDG6-089G	89 mm	25 x 3	89mm (80 NB) Light Duty Two-Piece Pipe Clamp HDG	80 NB
FDG6-102G	102 mm	25 x 3	102mm (102 CU) Light Duty Two-Piece Pipe Clamp HDG	100 CU
FDG6-114G	114 mm	25 x 3	114mm (100 NB) Light Duty Two-Piece Pipe Clamp HDG	100 NB
FDG6-127G	127 mm	25 x 3	127mm (125 CU) Light Duty Two-Piece Pipe Clamp HDG	125 CU
FDG6-140G	140 mm	25 x 3	140mm (125 CU) Light Duty Two-Piece Pipe Clamp HDG	125 NB
FDG6-152G	152 mm	25 x 3	152mm (150 CU) Light Duty Two-Piece Pipe Clamp HDG	150 CU
FDG6-165G	165 mm	25 x 3	165mm (165 CU) Light Duty Two-Piece Pipe Clamp HDG	165 CU

\* Note: Custom sizes and finishes available on request.



**LIGHT DUTY TWO-PIECE YOKE CLAMP**

CODE	DIAMETER	W X T	DESCRIPTION	STEEL PIPE SIZE
FDG8-019G	19 mm	20 x 3	19mm (20 CU) Light Duty Two-Piece Yoke Clamp HDG	20 CU
FDG8-021G	21 mm	20 x 3	21mm (15 NB) Light Duty Two-Piece Yoke Clamp HDG	15 NB
FDG8-025G	25 mm	20 x 3	25mm (25 CU) Light Duty Two-Piece Yoke Clamp HDG	25 CU
FDG8-027G	27 mm	20 x 3	27mm (20 NB) Light Duty Two-Piece Yoke Clamp HDG	20 NB
FDG8-032G	32 mm	20 x 3	32mm (32 CU) Light Duty Two-Piece Yoke Clamp HDG	32 CU
FDG8-034G	34 mm	20 x 3	34mm (25 NB) Light Duty Two-Piece Yoke Clamp HDG	25 NB
FDG8-038G	38 mm	20 x 3	38mm (38 CU) Light Duty Two-Piece Yoke Clamp HDG	38 CU
FDG8-043G	43 mm	20 x 3	43mm (32 NB) Light Duty Two-Piece Yoke Clamp HDG	32 NB
FDG8-048G	48 mm	20 x 3	48mm (40 NB) Light Duty Two-Piece Yoke Clamp HDG	40 NB
FDG8-051G	51 mm	20 x 3	51mm (50 CU) Light Duty Two-Piece Yoke Clamp HDG	50 CU
FDG8-060G	60 mm	20 x 3	60mm (50 NB) Light Duty Two-Piece Yoke Clamp HDG	50 NB
FDG8-064G	64 mm	20 x 3	64mm (65 CU) Light Duty Two-Piece Yoke Clamp HDG	65 CU
FDG8-073G	73 mm	20 x 3	73mm (65 NB) Light Duty Two-Piece Yoke Clamp HDG	65 NB
FDG8-076G	76 mm	20 x 3	76mm (80 CU) Light Duty Two-Piece Yoke Clamp HDG	80 CU
FDG8-089G	89 mm	20 x 3	89mm (80 NB) Light Duty Two-Piece Yoke Clamp HDG	80 NB
FDG8-102G	102 mm	20 x 3	102mm (100 CU) Light Duty Two-Piece Yoke Clamp HDG	100 CU
FDG8-114G	114 mm	20 x 3	114mm (100 NB) Light Duty Two-Piece Yoke Clamp HDG	100 NB
FDG8-127G	127 mm	20 x 3	127mm (125 CU) Light Duty Two-Piece Yoke Clamp HDG	125 CU
FDG8-140G	140 mm	20 x 3	140mm (125 CB) Light Duty Two-Piece Yoke Clamp HDG	125 NB
FDG8-152G	152 mm	20 x 3	152mm (150 CU) Light Duty Two-Piece Yoke Clamp HDG	150 CU
FDG8-165G	165 mm	20 x 3	165mm (165 CU) Light Duty Two-Piece Yoke Clamp HDG	165 CU

\* Note: Custom sizes and finishes available on request.



PIPE U - BOLTS

CODE	DIAMETER	W X T	DESCRIPTION	STEEL PIPE SIZE
FDG14-021G	21 mm	M10 x 65	M10 x 65mm Medium Duty U Bolts HDG	15 NB
FDG14-027G	27 mm	M10 x 77	M10 x 77mm Medium Duty U Bolts HDG	20 NB
FDG14-034G	34 mm	M10 x 85	M10 x 85mm Medium Duty U Bolts HDG	25 NB
FDG14-043G	43 mm	M10 x 93	M10 x 93mm Medium Duty U Bolts HDG	32 NB
FDG14-048G	48 mm	M10 x 100	M10 x 100mm Medium Duty U Bolts HDG	40 NB
FDG14-051G	51 mm	M10 x 103	M10 x 103mm Medium Duty U Bolts HDG	50 CU
FDG14-060G	60 mm	M10 x 110	M10 x 110mm Medium Duty U Bolts HDG	50 NB
FDG14-076G	76 mm	M12 x 127	M12 x 127mm Medium Duty U Bolts HDG	65 NB
FDG14-089G	89 mm	M12 x 140	M12 x 140mm Medium Duty U Bolts HDG	80 NB
FDG14-102G	102 mm	M12 x 152	M12 x 152mm Medium Duty U Bolts HDG	90 NB
FDG14-114G	114 mm	M12 x 165	M12 x 165mm Medium Duty U Bolts HDG	100 NB
FDG14-140G	140 mm	M12 x 190	M12 x 190mm Medium Duty U Bolts HDG	125 NB
FDG14-165G	165 mm	M12 x 215	M12 x 215mm Medium Duty U Bolts HDG	165 CU
FDG14-168G	168 mm	M12 x 220	M12 x 220mm Medium Duty U Bolts HDG	150 NB
FDG14-219G	219 mm	M16 x 295	M16 x 296mm Medium Duty U Bolts HDG	200 NB
FDG14-273G	273 mm	M20 x 370	M20 x 370mm Medium Duty U Bolts HDG	250 NB
FDG14-324G	324 mm	M20 x 420	M20 x 420mm Medium Duty U Bolts HDG	300 NB
FDG14-356G	356 mm	M20 x 455	M20 x 455mm Medium Duty U Bolts HDG	350 NB
FDG14-406G	406 mm	M20 x 505	M20 x 505mm Medium Duty U Bolts HDG	400 NB
FDG14-457G	457 mm	M24 x 555	M24 x 555mm Medium Duty U Bolts HDG	450 NB
FDG14-508G	508 mm	M24 x 605	M24 x 605mm Medium Duty U Bolts HDG	500 NB
FDG14-610G	610 mm	M24 x 710	M24 x 710mm Medium Duty U Bolts HDG	600 NB

\* Note: Custom sizes and finishes available on request.



MEDIUM DUTY SADDLE CLAMP

CODE	DIAMETER	W X T	DESCRIPTION	STEEL PIPE SIZE
FDG15-021G	21 mm	40 x 5	21mm (15 NB) Medium Duty Saddle Clamp HDG	15 NB
FDG15-027G	27 mm	40 x 5	27mm (20 NB) Medium Duty Saddle Clamp HDG	20 NB
FDG15-034G	34 mm	40 x 5	34mm (25 NB) Medium Duty Saddle Clamp HDG	25 NB
FDG15-043G	43 mm	40 x 5	43mm (32 NB) Medium Duty Saddle Clamp HDG	32 NB
FDG15-048G	48 mm	40 x 5	48mm (40 NB) Medium Duty Saddle Clamp HDG	40 NB
FDG15-051G	51 mm	40 x 5	51mm (50 CU) Medium Duty Saddle Clamp HDG	50 CU
FDG15-060G	60 mm	40 x 5	60mm (50 NB) Medium Duty Saddle Clamp HDG	50 NB
FDG15-073G	73 mm	40 x 5	73mm (65 NB) Medium Duty Saddle Clamp HDG	65 NB
FDG15-076G	76 mm	40 x 5	76mm (80 CU) Medium Duty Saddle Clamp HDG	80 CU
FDG15-089G	89 mm	40 x 5	89mm (80 NB) Medium Duty Saddle Clamp HDG	80 NB
FDG15-102G	102 mm	40 x 5	102mm (90 NB) Medium Duty Saddle Clamp HDG	90 NB
FDG15-114G	114 mm	40 x 6	114mm (100 NB) Medium Duty Saddle Clamp HDG	100 NB
FDG15-140G	140 mm	40 x 6	140mm (125 NB) Medium Duty Saddle Clamp HDG	125 NB
FDG15-152G	152 mm	50 x 6	152mm (150 CU) Medium Duty Saddle Clamp HDG	150 CU
FDG15-165G	165 mm	50 x 6	165mm (165 CU) Medium Duty Saddle Clamp HDG	165 CU
FDG15-168G	168 mm	50 x 6	168mm (150 NB) Medium Duty Saddle Clamp HDG	150 NB
FDG15-203G	203 mm	50 x 6	203mm (200 CU) Medium Duty Saddle Clamp HDG	200 CU
FDG15-219G	219 mm	50 x 6	219mm (200 NB) Medium Duty Saddle Clamp HDG	200 NB

\* Note Custom sizes and finishes available on request.



MEDIUM DUTY TWO-PIECE PIPE CLAMP

CODE	DIAMETER	W X T	DESCRIPTION	STEEL PIPE SIZE
FDG16-060G	60 mm	40 x 5	60mm (50 NB) Medium Duty Two-Piece pipe Clamp HDG	50 NB
FDG16-073G	73 mm	41 x 5	73mm (65 NB) Medium Duty Two-Piece pipe Clamp HDG	65 NB
FDG16-076G	76 mm	40 x 5	76mm (80 CU) Medium Duty Two-Piece pipe Clamp HDG	80 CU
FDG16-089G	89 mm	40 x 5	89mm (80 NB) Medium Duty Two-Piece pipe Clamp HDG	80 NB
FDG16-102G	102 mm	40 x 5	102mm (100 CU) Medium Duty Two-Piece pipe Clamp HDG	100 CU
FDG16-114G	114 mm	40 x 6	114mm (100 NB) Medium Duty Two-Piece pipe Clamp HDG	100 NB
FDG16-127G	127 mm	40 x 6	127mm (125 CU) Medium Duty Two-Piece pipe Clamp HDG	125 CU
FDG16-140G	140 mm	40 x 6	140mm (125 NB) Medium Duty Two-Piece pipe Clamp HDG	125 NB
FDG16-152G	152 mm	40 x 6	152mm (150 CU) Medium Duty Two-Piece pipe Clamp HDG	150 CU
FDG16-165G	165 mm	40 x 6	165mm (165 CU) Medium Duty Two-Piece pipe Clamp HDG	165 CU
FDG16-168G	168 mm	40 x 6	168mm (150 NB) Medium Duty Two-Piece pipe Clamp HDG	150 NB
FDG16-178G	178 mm	40 x 6	178mm (175 CU) Medium Duty Two-Piece pipe Clamp HDG	175 CU
FDG16-190G	190 mm	40 x 6	190mm (190 NS) Medium Duty Two-Piece pipe Clamp HDG	190 NS
FDG16-203G	203 mm	40 x 6	203mm (200 CU) Medium Duty Two-Piece pipe Clamp HDG	200 CU
FDG16-219G	219 mm	40 x 6	219mm (200 NB) Medium Duty Two-Piece pipe Clamp HDG	219 NB
FDG16-230G	230 mm	40 x 6	230mm (230 CU) Medium Duty Two-Piece pipe Clamp HDG	230 CU
FDG16-240G	240 mm	40 x 6	240mm (240 NS) Medium Duty Two-Piece pipe Clamp HDG	240 CU
FDG16-250G	250 mm	40 x 6	250mm (250 CU) Medium Duty Two-Piece pipe Clamp HDG	250 CU
FDG16-273G	273 mm	40 x 6	273mm (250 NB) Medium Duty Two-Piece pipe Clamp HDG	250 NB
FDG16-324G	324 mm	40 x 6	324mm (300 NB) Medium Duty Two-Piece pipe Clamp HDG	300 NB

\* Note Custom sizes and finishes available on request.



MEDIUM DUTY TWO-PIECE YOKE CLAMP

CODE	DIAMETER	W X T	DESCRIPTION	STEEL PIPE SIZE
FDG18-060G	60 mm	40 x 5	60mm (60 CU) Medium Duty Two-Piece Yoke Clamp HDG	60 CU
FDG18-073G	73 mm	40 x 50	73mm (65 NB) Medium Duty Two-Piece Yoke Clamp HDG	65 NB
FDG18-076G	76 mm	40 x 5	76mm (80 CU) Medium Duty Two-Piece Yoke Clamp HDG	80 CU
FDG18-089G	89 mm	40 x 5	89mm (80 NB) Medium Duty Two-Piece Yoke Clamp HDG	80 NB
FDG18-102G	102 mm	40 x 5	102mm (100 CU) Medium Duty Two-Piece Yoke Clamp HDG	100 CU
FDG18-114G	114 mm	40 x 6	114mm (100 NB) Medium Duty Two-Piece Yoke Clamp HDG	100 NB
FDG18-127G	127 mm	40 x 6	127mm (125 CU) Medium Duty Two-Piece Yoke Clamp HDG	125 CU
FDG18-140G	140 mm	40 x 6	140mm (125 NB) Medium Duty Two-Piece Yoke Clamp HDG	125 NB
FDG18-152G	152 mm	40 x 6	152mm (150 CU) Medium Duty Two-Piece Yoke Clamp HDG	152 CU
FDG18-165G	165 mm	40 x 6	165mm (165 CU) Medium Duty Two-Piece Yoke Clamp HDG	165 CU
FDG18-168G	168 mm	40 x 6	168mm (150 NB) Medium Duty Two-Piece Yoke Clamp HDG	150 NB
FDG18-178G	178 mm	40 x 6	178mm (175 CU) Medium Duty Two-Piece Yoke Clamp HDG	175 CU
FDG18-203G	203 mm	40 x 6	203mm (200 CU) Medium Duty Two-Piece Yoke Clamp HDG	200 CU
FDG18-219G	219 mm	40 x 6	219mm (200 NB) Medium Duty Two-Piece Yoke Clamp HDG	200 NB
FDG18-230G	230 mm	40 x 6	230mm (230 CU) Medium Duty Two-Piece Yoke Clamp HDG	230 CU

\* Note Custom sizes and finishes available on request.



## HEAVY DUTY SADDLE CLAMP

CODE	DIAMETER	W X T	DESCRIPTION	STEEL PIPE SIZE
FDG30-168G	168 mm	75 x 10	168mm (150 NB) Heavy Duty Saddle Clamp HDG	150 NB
FDG30-219G	219 mm	75 x 10	219mm (200 NB) Heavy Duty Saddle Clamp HDG	200 NB
FDG30-273G	273 mm	75 x 10	273mm (250 NB) Heavy Duty Saddle Clamp HDG	250 NB
FDG30-324G	324 mm	75 x 10	324mm (300 NB) Heavy Duty Saddle Clamp HDG	300 NB
FDG30-356G	356 mm	75 x 10	356mm (350 NB) Heavy Duty Saddle Clamp HDG	350 NB
FDG30-406G	406 mm	90 x 12	406mm (400 NB) Heavy Duty Saddle Clamp HDG	400 NB
FDG30-457G	457 mm	90 x 12	457mm (450 NB) Heavy Duty Saddle Clamp HDG	450 NB
FDG30-508G	508 mm	90 x 12	508mm (500 NB) Heavy Duty Saddle Clamp HDG	500 NB

\* Note Custom sizes and finishes available on request.



## HEAVY DUTY TWO-PIECE PIPE CLAMP

CODE	DIAMETER	W X T	DESCRIPTION	STEEL PIPE SIZE
FDG31-168G	168 mm	75 x 10	168mm (150 NB) Heavy Duty Two-Piece pipe Clamp HDG	150 NB
FDG31-219G	219 mm	75 x 10	219mm (200 NB) Heavy Duty Two-Piece pipe Clamp HDG	200 NB
FDG31-273G	273 mm	75 x 10	273mm (250 NB) Heavy Duty Two-Piece pipe Clamp HDG	250 NB
FDG31-324G	324 mm	75 x 10	324mm (300 NB) Heavy Duty Two-Piece pipe Clamp HDG	300 NB
FDG31-356G	356 mm	75 x 12	356mm (350 NB) Heavy Duty Two-Piece pipe Clamp HDG	350 NB
FDG31-406G	406 mm	75 x 12	406mm (400 NB) Heavy Duty Two-Piece pipe Clamp HDG	400 NB
FDG31-457G	457 mm	75 x 16	457mm (450 NB) Heavy Duty Two-Piece pipe Clamp HDG	450 NB
FDG31-508G	508 mm	75 x 16	508mm (500 NB) Heavy Duty Two-Piece pipe Clamp HDG	500 NB
FDG31-610G	610 mm	75 x 16	610mm (600 NB) Heavy Duty Two-Piece pipe Clamp HDG	600 NB

\* Note Custom sizes and finishes available on request.



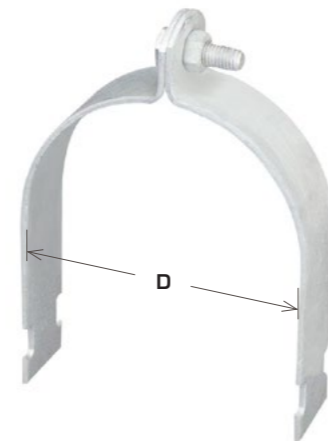
**IS THERE SOMETHING ELSE  
YOU ARE LOOKING FOR?**

GIVE US A CALL ON 0800 555 464

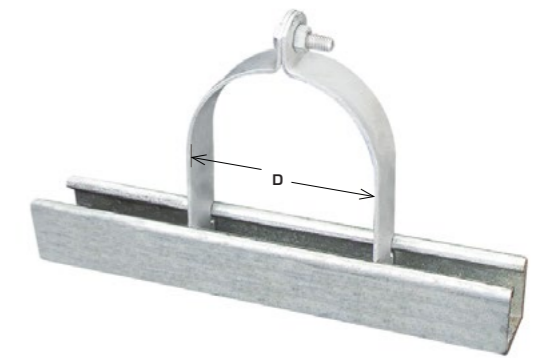




2PC CHANNEL CLIP				
D	PIPE	CODE	MATERIAL	CARTON QTY
8	8CU	FDG132-008-2PCE	32x1.6	100
10	10CU	FDG132-010-2PCE	32x1.6	100
13	15CU	FDG132-013-2PCE	32x1.6	100
17	17CU	FDG132-017-2PCE	32x1.6	100
20	20CU	FDG132-020-2PCE	32x1.6	100
21	15NB	FDG132-021-2PCE	32x1.6	100
25	25CU	FDG132-025-2PCE	32x1.6	100
27	20NB	FDG132-027-2PCE	32x1.6	100
29	29NS	FDG132-029-2PCE	32x2.0	100
32	32UC	FDG132-032-2PCE	32x2.0	100
34	25NB	FDG132-034-2PCE	32x2.0	100
38	40CU	FDG132-038-2PCE	32x2.0	100
43	32NB	FDG132-043-2PCE	32x2.0	100
48	40NB	FDG132-048-2PCE	32x2.0	100
51	50CU	FDG132-051-2PCE	32x2.5	50
54	54NS	FDG132-054-2PCE	32x2.5	50
57	57NS	FDG132-057-2PCE	32x2.5	50
60	50NB	FDG132-060-2PCE	32x2.5	50
64	65CU	FDG132-064-2PCE	32x2.5	50
67	67NS	FDG132-067-2PCE	32x2.5	50
70	70NS	FDG132-070-2PCE	32x2.5	50
73	65NB	FDG132-073-2PCE	32x2.5	50
76	80CU	FDG132-076-2PCE	32x2.5	50
79	79NS	FDG132-079-2PCE	32x2.5	50
83	83NS	FDG132-083-2PCE	32x2.5	50
86	86NS	FDG132-086-2PCE	32x2.5	50
89	80NB	FDG132-089-2PCE	32x2.5	50
95	92NS	FDG132-095-2PCE	32x2.5	50
98	98NS	FDG132-098-2PCE	32x2.5	50
102	102CU	FDG132-102-2PCE	32x2.5	50
105	105NS	FDG132-105-2PCE	32x2.5	50
108	108NS	FDG132-108-2PCE	32x2.5	50
110	110NS	FDG132-110-2PCE	32x2.5	50
115	100NB	FDG132-115-2PCE	32x2.5	50
117	117NS	FDG132-117-2PCE	32x2.5	50



2PC CHANNEL CLIP				
D	PIPE	CODE	MATERIAL	CARTON QTY
121	121NS	FDG132-121-2PCE	32x2.5	50
127	125CU	FDG132-127-2PCE	32x2.5	50
140	125NB	FDG132-140-2PCE	32x2.5	50
146	146NS	FDG132-146-2PCE	32x2.5	50
152	152CU	FDG132-152-2PCE	32x2.5	50
159	159NS	FDG132-159-2PCE	32x2.5	50
165	150NB	FDG132-165-2PCE	32x2.5	50
168	150NB	FDG132-168-2PCE	32x2.5	50
171	171NS	FDG132-171-2PCE	32x2.5	50
178	178NS	FDG132-178-2PCE	32x2.5	50
190	190NS	FDG132-190-2PCE	32x2.5	50
203	200CU	FDG132-203-2PCE	32x2.5	50
220	220NB	FDG132-220-2PCE	32x2.5	50
228	228NS	FDG132-228-2PCE	32x2.5	50
240	240NS	FDG132-240-2PCE	32x2.5	50
252	252CU	FDG132-252-2PCE	32x2.5	50
268	265NS	FDG132-268-2PCE	32x2.5	50
275	250NB	FDG132-275-2PCE	32x2.5	50
302	300CU	FDG132-302-2PCE	32x2.5	50
315	315NS	FDG132-315-2PCE	32x2.5	50
324	300NB	FDG132-324-2PCE	32x2.5	50



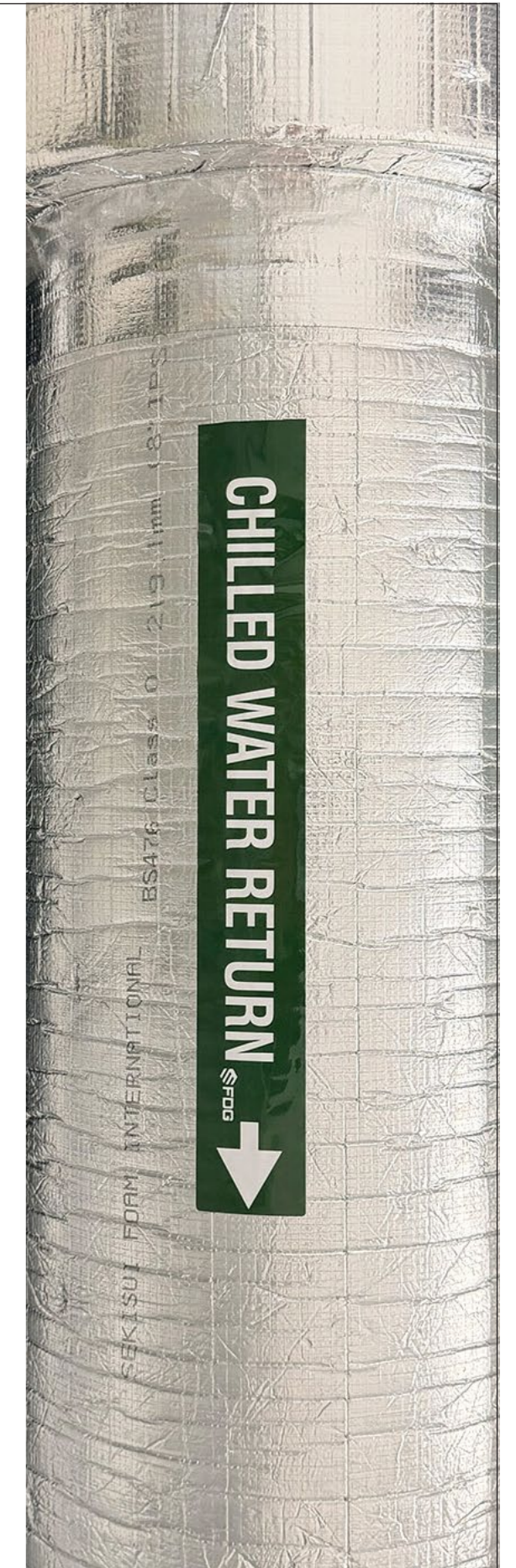
HANGER CLEVIS			
CODE	DESCRIPTION	FINISH	PACK
FDG153-M10	M10	Galv	50
FDG153-M12	M12	Galv	50
FDG152-M16	M16	Galv	10
FDG152-M20	M20	Galv	10



MEDIUM STICKERS 400MM X 27MM	
CODE	DESCRIPTION
59S-CW27X400	CHILLED WATER
59S-CWF27X400	CHILLED WATER FLOW
59S-CWR27X400	CHILLED WATER RETURN
59S-HHW27X400	HEATING HOT WATER
59S-HHWF27X400	HEATING HOT WATER FLOW
59S-HHWR27X400	HEATING HOT WATER RETURN
59S-CRW27X400	CONDENSOR WATER
59S-CRWF27X400	CONDENSOR WATER FLOW
59S-CRWR27X400	CONDENSOR WATER RETURN
59S-HWR27X400	HOT WATER
59S-HW27X400	HOT WATER FLOW
59S-HWF27X400	HOT WATER RETURN
59S-HWR27X400	COLD WATER
59S-DCW27X400	DOMESTIC COLD WATER
59S-DHW27X400	DOMESTIC HOT WATER
59S-CGW27X400	COOLING WATER
59S-HGR27X400	HEATING WATER
59S-PW27X400	POTABLE WATER
59S-NWP27X400	NON POTABLE WATER
59S-ST27X400	STORM WATER
59S-C27X400	CONDENSATE
59S-D27X400	DRAINS
59S-S27X400	SEWERAGE
59S-TW27X400	TRADE WASTE
59S-V27X400	VENT
59S-G27X400	GREASE
59S-NG27X400	NATURAL GAS
59S-NGK27X400	NATURAL GAS KPA
59S-R27X400	REFRIGERATION
59S-FHR27X400	FIRE HOSE REEL
59S-FHR27X400	FIRE HYDRANT
59S-FS27X400	FIRE SERVICE
59S-FSS27X400	FIRE SPRINKLERS
59S-VM27X400	VACCUM
59S-SM27X400	STEAM
59S-RW27X400	RAIN WATER
59S-FW27X400	FILTERED WATER



LARGE STICKERS 400MM X 50MM	
CODE	DESCRIPTION
59S-CW-50X400	CHILLED WATER
59S-CWF-50X400	CHILLED WATER FLOW
59S-CWR-50X400	CHILLED WATER RETURN
59S-HHW-50X400	HEATING HOT WATER
59S-HHWF-50X400	HEATING HOT WATER FLOW
59S-HHWR-50X400	HEATING HOT WATER RETURN
59S-CRW-50X400	CONDENSOR WATER
59S-CRWF-50X400	CONDENSOR WATER FLOW
59S-CRWR-50X400	CONDENSOR WATER RETURN
59S-HW-50X400	HOT WATER
59S-HWF-50X400	HOT WATER FLOW
59S-HWR-50X400	HOT WATER RETURN
59S-CE-50X400	COLD WATER
59S-DCW-50X400	DOMESTIC COLD WATER
59S-DHW-50X400	DOMESTIC HOT WATER
59S-CGW-50X400	COOLING WATER
59S-HGR-50X400	HEATING WATER
59S-PW-50X400	POTABLE WATER
59S-NPW-50X400	NON POTABLE WATER
59S-SW-50X400	STORM WATER
59S-C-50X400	CONDENSATE
59S-D-50X400	DRAINS
59S-S-50X400	SEWERAGE
59S-TW-50X400	TRADE WASTE
59S-V-50X400	VENT
59S-G-50X400	GREASE
59S-NG-50X400	NATURAL GAS
59S-NGK-50X400	NATURAL GAS KPA
59S-R-50X400	REFRIGERATION
59S-FHR-50X400	FIRE HOSE REEL
59S-FH-50X400	FIRE HYDRANT
59S-FS-50X400	FIRE SERVICE
59S-FSS-50X400	FIRE SPRINKLERS
59S-WM-50X400	VACUUM
59S-SM-50X400	STEAM
59S-RW-50X400	RAIN WATER
59S-FW-50X400	FILTERED WATER





EPDM RUBBER PROFILE

CODE	DESCRIPTION	FINISH	QTY
53RUB-18	18x1000mm	Black EPDM	1M
53RUB-20	20x1000mm	Black EPDM	1M
53RUB-25	25x1000mm	Black EPDM	1M
53RUB-40	40x1000mm	Black EPDM	1M



# CUSTOM PIPE STICKERS AVAILABLE

TALK TO US TODAY TO FIND OUT MORE ABOUT WHAT WE HAVE ON OFFER: 0800 555 464 OR [sales@fdgnz.com](mailto:sales@fdgnz.com)





## **INSULATION**

<b>THERMAL LAGGING</b>	<b>116</b>
<b>FOAM BLOCKS</b>	<b>118</b>
<b>SOUND LAGGING</b>	<b>120</b>
<b>DUCT WRAP</b>	<b>121</b>
<b>DUCT INSULATION</b>	<b>121</b>
<b>DUCT INSULATION ACCESSORIES</b>	<b>122</b>

**KEEPING BUSINESS'S  
MOVING & MAKING**

 [www.fdg.nz](http://www.fdg.nz)  
 [sales@fdg.nz](mailto:sales@fdg.nz)  
 0800 555 464



# THERMAL LAGGING

Premium performance pipe insulation offering lower costs and maximum energy savings.

## PRODUCT DESCRIPTION

- Completely closed cell, physically crosslinked foam pipe insulation.
- Heat bonded factory applied reinforced aluminium foil.
- Pre-slit for faster installation.
- Flexible, tough and durable.
- Excellent compression resistance due to its crosslinked foam structure.
- Superior insulating properties compared to other flexible closed cell foams.
- Very high vapour diffusion resistance, Class 1 Vapour Retarder under ASHRAE 2009.
- No claddings required for internal applications.
- Conforms to ISO 5659-2 "Smoke Density and Toxicity".
- Anti-microbial.
- Green Star Compliant Product (VOC).
- Complies to NFPA 90A & NFPA 90B.



Reinforced Aluminium Foil

Very high vapour diffusion resistance

## THERMAL LAGGING NO-CLAD

No-Clad thermal lagging is wrapped in a puncture resistant and saltater resistant multilayer aluminum foil that has a UV and weather durable coating. Perfect for the outdoors and harsh environments.

\* No-Clad available on request



## THERMAL LAGGING - 25MM

CODE	DESCRIPTION
55FF1.2X2.4X0.025	Foil Faced Thermal Lagging Sheet - 1.2m x 2.4m x .025m (2.8m sq)
55FF1.2X2.4X0.025-NC	Foil Faced No Clad Thermal Lagging Sheet - 1.2m x 2.4m x .025m (2.8m sq)
55FF15CUX25	Foil Faced Thermal Lagging - 15Cu x25mm x2mtr
55FF16CUX25	Foil Faced Thermal Lagging - 16Cu x25mm x2mtr
55FF20CUX25	Foil Faced Thermal Lagging - 20Cu x25mm x2mtr
55FF22CUX25	Foil Faced Thermal Lagging - 22Cu x25mm x2mtr
55FF25CUX25	Foil Faced Thermal Lagging - 25Cu x25mm x2mtr
55FF27CUX25	Foil Faced Thermal Lagging - 27Cu x25mm x2mtr
55FF28CUX25	Foil Faced Thermal Lagging - 28Cu x25mm x2mtr
55FF32CUX25	Foil Faced Thermal Lagging - 32Cu x25mm x2mtr
55FF34CUX25	Foil Faced Thermal Lagging - 34Cu x25mm x2mtr
55FF35CUX25	Foil Faced Thermal Lagging - 35Cu x25mm x2mtr
55FF38CUX25	Foil Faced Thermal Lagging - 38Cu x25mm x2mtr
55FF40CUX25	Foil Faced Thermal Lagging - 40Cu x25mm x2mtr
55FF42CUX25	Foil Faced Thermal Lagging - 42Cu x25mm x2mtr
55FF48CUX25	Foil Faced Thermal Lagging - 48Cu x25mm x2mtr
55FF50CUX25	Foil Faced Thermal Lagging - 50Cu x25mm x2mtr
55FF51CUX25	Foil Faced Thermal Lagging - 51Cu x25mm x2mtr
55FF54CUX25	Foil Faced Thermal Lagging - 54Cu x25mm x2mtr
55FF60CUX25	Foil Faced Thermal Lagging - 60Cu x25mm x2mtr
55FF64CUX25	Foil Faced Thermal Lagging - 64Cu x25mm x2mtr
55FF65CUX25	Foil Faced Thermal Lagging - 65Cu x25mm x2mtr
55FF67CUX25	Foil Faced Thermal Lagging - 67Cu x25mm x2mtr
55FF76CUX25	Foil Faced Thermal Lagging - 76Cu x25mm x2mtr
55FF80CUX25	Foil Faced Thermal Lagging - 80Cu x25mm x2mtr
55FF89CUX25	Foil Faced Thermal Lagging - 89Cu x25mm x2mtr
55FF91CUX25	Foil Faced Thermal Lagging - 91Cu x25mm x2mtr
55FF100CUX25	Foil Faced Thermal Lagging - 100Cu x25mm x2mtr
55FF102CUX25	Foil Faced Thermal Lagging - 102Cu x25mm x2mtr
55FF110CUX25	Foil Faced Thermal Lagging - 110Cu x25mm x2mtr
55FF115CUX25	Foil Faced Thermal Lagging - 115Cu x25mm x2mtr
55FF125CUX25	Foil Faced Thermal Lagging - 125Cu x25mm x2mtr
55FF127CUX25	Foil Faced Thermal Lagging - 127Cu x25mm x2mtr
55FF141CUX25	Foil Faced Thermal Lagging - 141Cu x25mm x2mtr
55FF150CUX25	Foil Faced Thermal Lagging - 150Cu x25mm x2mtr
55FF152CUX25	Foil Faced Thermal Lagging - 152Cu x25mm x2mtr
55FF160CUX25	Foil Faced Thermal Lagging - 160Cu x25mm x2mtr
55FF168CUX25	Foil Faced Thermal Lagging - 168Cu x25mm x2mtr
55FF180CUX25	Foil Faced Thermal Lagging - 180Cu x25mm x2mtr
55FF204CUX25	Foil Faced Thermal Lagging - 204Cu x25mm x2mtr
55FF219CUX25	Foil Faced Thermal Lagging - 219Cu x25mm x2mtr
55FF225CUX25	Foil Faced Thermal Lagging - 225Cu x25mm x2mtr
55FF250CUX25	Foil Faced Thermal Lagging - 250Cu x25mm x2mtr
55FF254CUX25	Foil Faced Thermal Lagging - 254Cu x25mm x2mtr
55FF280CUX25	Foil Faced Thermal Lagging - 280Cu x25mm x2mtr

\*Other wall thickness available on request.



# FOAM BLOCKS

Light weight and extremely tough, Thermobreak Thermaloc is a high density closed cell, cross linked polyethylene polymer foam pipe support for hot and cold applications.

## EASY & SAFE TO INSTALL

Thermaloc installation is as simple as placing the two pieces over the pipe, squeezing together gently and applying foil tape (supplied separately). No cutting required means no fibres, no dust, no mess to clean up afterwards and no need for protective face masks and gloves.

## BUILT TO PERFORM, BUILT TO LAST

Thermaloc's closed cell technology is unaffected by water and humidity. It is also resistant to detergents, diluted acids, alkalis, alcohols, esters and fungi, ensuring performance in even the most demanding applications and over the life of the installation.

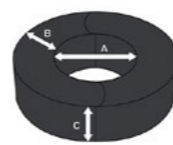
## Physical Properties

Material:	Crosslinked Closed Cell Polyolefin Foam
Density:	300kg/m <sup>3</sup>
Moisture absorption by volume: (internal)	<1% w/w
Resistance to fungi:	Good
Ozone Resistance:	Excellent
UV Resistance:	Excellent
Operating Temperature Range:	-40 °C to 105 °C
Thermal Conductivity: (ASTM C518)	0.069 W/mk
VOC Emission Rate: (ASTM D5116)	Low VOC Emitting ("Green Star")
Compression Strength: (internal)	850 kPa @ 10% deflection 970 kPa @ 25% deflection 1540 kPa @ 50% deflection



## Size Availability

<b>Nominal ID A (mm)</b> Sizes: 6.35 to 450 Materials: Available in Copper, IPS & PPR
BS 6853 Annex B (mm)
13 40
15 50
25 55
30 63
*Other wall thickness available upon request
<b>On Pipe Length C (mm)</b> 50 75 (available on request)
*Flat based Thermaloc available for pipe sizes DN 100 / NPS 4 & above

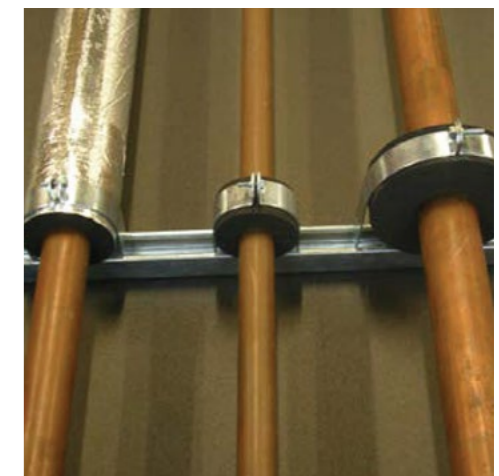


## Fire & Smoke Performance

BS 6853 Annex B (Smoke Toxicity)	Complies (R<1.0)
BS 6853 Annex B (Foil Tape Faced)	Complies (AS 4254)

# HOT & COLD PIPE SUPPORTS

THERMALOC	
CODE	EXTENDED DESCRIPTION
53TLPS20X25F	Thermaloc Foam Block 20mm Wall x 25mm ID
53TLPS23X25F	Thermaloc Foam Block 23mm Wall x 25mm ID
53TLPS25X20F	Thermaloc Foam Block 25mm Wall x 20mm ID
53TLPS25X22F	Thermaloc Foam Block 25mm Wall x 22mm ID
53TLPS25X25F	Thermaloc Foam Block 25mm Wall x 25mm ID
53TLPS25X27F	Thermaloc Foam Block 25mm Wall x 27mm ID
53TLPS25X28F	Thermaloc Foam Block 25mm Wall x 28mm ID
53TLPS25X32F	Thermaloc Foam Block 25mm Wall x 32mm ID
53TLPS25X34F	Thermaloc Foam Block 25mm Wall x 34mm ID
53TLPS25X35F	Thermaloc Foam Block 25mm Wall x 35mm ID
53TLPS25X38F	Thermaloc Foam Block 25mm Wall x 38mm ID
53TLPS25X40F	Thermaloc Foam Block 25mm Wall x 40mm ID
53TLPS25X42F	Thermaloc Foam Block 25mm Wall x 42mm ID
53TLPS25X48F	Thermaloc Foam Block 25mm Wall x 48mm ID
53TLPS25X51F	Thermaloc Foam Block 25mm Wall x 51mm ID
53TLPS25X54F	Thermaloc Foam Block 25mm Wall x 54mm ID
53TLPS25X60F	Thermaloc Foam Block 25mm Wall x 60mm ID
53TLPS25X64F	Thermaloc Foam Block 25mm Wall x 64mm ID
53TLPS25X67F	Thermaloc Foam Block 25mm Wall x 67mm ID
53TLPS25X74F	Thermaloc Foam Block 25mm Wall x 74mm ID
53TLPS25X80F	Thermaloc Foam Block 25mm Wall x 80mm ID
53TLPS25X102F	Thermaloc Foam Block 25mm Wall x 102mm ID
53TLPS25X106F	Thermaloc Foam Block 25mm Wall x 106mm ID
53TLPS25X108F	Thermaloc Foam Block 25mm Wall x 108mm ID
53TLPS25X110F	Thermaloc Foam Block 25mm Wall x 110mm ID
53TLPS25X114F	Thermaloc Foam Block 25mm Wall x 114mm ID
53TLPS25X115F	Thermaloc Foam Block 25mm Wall x 115mm ID
53TLPS25X127F	Thermaloc Foam Block 25mm Wall x 127mm ID
53TLPS25X141F	Thermaloc Foam Block 25mm Wall x 141mm ID
53TLPS25X150F	Thermaloc Foam Block 25mm Wall x 150mm ID
53TLPS25X152F	Thermaloc Foam Block 25mm Wall x 152mm ID
53TLPS25X219F	Thermaloc Foam Block 25mm Wall x 219mm ID
53TLPS25X225F	Thermaloc Foam Block 25mm Wall x 225mm ID
53TLPS25X254F	Thermaloc Foam Block 25mm Wall x 254mm ID
53TLPS25X273F	Thermaloc Foam Block 25mm Wall x 273mm ID



\*Custom wall thicknesses and sizes available.

# SOUNDLAG™

Soundlag has a highly dense and flexible mass layer providing excellent sound reduction properties. The decoupling layer breaks the vibration path between substrate and the mass barrier, allowing the vinyl external wrap to remain flexible - optimising performance.

## SYSTEM DESIGN CONSIDERATIONS

When designing a system using Soundlag, sound penetration through ceilings must be taken into account to ensure effective sound reduction, especially from down-lights, air conditioning ducting, access hatches and where lightweight ceilings such as mineral fibre tiles are used.

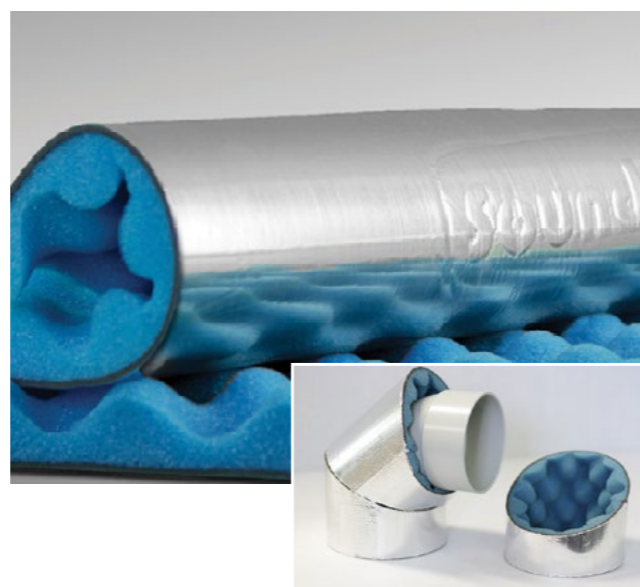


## INSTALLATION

Soundlag is easily installed using Soundtape, a high quality, self adhesive, reinforced foil tape. To ensure a high quality fit-out, place 3 circumferential wraps of Soundtape every 300 - 400 mm, i.e. 3 wraps per 1m length pipe.

## FEATURES

- Dual benefit as a noise barrier and noise absorber.
- The external foil facing offers a fire resistant covering and an excellent surface to join adjacent sheets.
- Free from odour producing oils and bitumen.
- Can cut to size and simple to install.
- Easy to bond with matching tape or equivalent high quality reinforced foil tape.
- Endorsed and tested by leading acoustic consultants and engineers.
- Accredited to ISO 9001 Quality Control Standard.

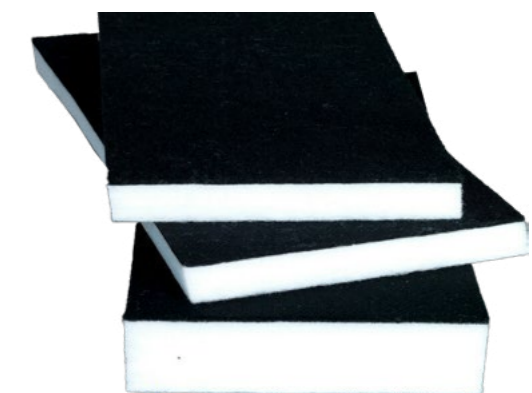


SOUNDLAG RANGE			
CODE	THICKNESS	DESCRIPTION	BARRIER WEIGHT
55PT1.35X5	25mm	Pyrotek 4525C Acoustic Soundlag 1350mm x 5000mm Roll	5 kg/m <sup>2</sup>
55PT1.35X3-8025C	29mm	Pyrotek 8025C Acoustic Soundlag 1350mm x 3000mm Roll	8 kg/m <sup>2</sup>

POLYESTER DUCT WRAP		
CODE	DESCRIPTION	PACK QTY
NHW1.2X10X.25	1.2m x 10m x 25mm	1
NHW1.2X10X.50	1.2m x 10m x 50mm	1

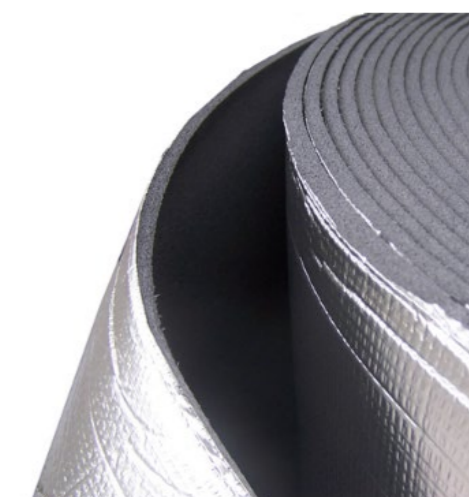


POLYESTER DUCT INSULATION		
CODE	DESCRIPTION	PACK QTY
NHP1.2X2.4X.25	1.2m x 2.4m x 25mm	1
NHP1.2X2.4X.50	1.2m x 2.4m x 50mm	1
NHP1.2X2.4X.75	1.2m x 2.4m x 75mm	1
NHP1.2X2.4X.100	1.2m x 2.4m x 100mm	1
NHP1.53X2.4X.25	1.53m x 2.4m x 25mm	1
NHP1.53X2.4X.50	1.53m x 2.4m x 50mm	1
NHP1.53X2.4X.75	1.53m x 2.4m x 75mm	1
NHP1.53X2.4X.100	1.53m x 2.4m x 100mm	1



THERMOBREAK ADHESIVE ROLL		
CODE	DESCRIPTION	PACK QTY
53FR1.2550	1200mm x 5mm 50m Thermobreak Adhesive Roll	1
53FR1.21025	1200mm x 10mm 25m Thermobreak Adhesive Roll	1
53FR1.21220	1200mm x 12mm 20m Thermobreak Adhesive Roll	1
53FR1.21520	1200mm x 15mm 20m Thermobreak Adhesive Roll	1
53FR1.22020	1200mm x 20mm 20m Thermobreak Adhesive Roll	1
53FR1.22510	1200mm x 25mm 20m Thermobreak Adhesive Roll	1
53FR1.23024	1200mm x 30mm 2.4m Thermobreak Adhesive Roll	1
53FR1.25024	1200mm x 50mm 2.4m Thermobreak Adhesive Roll	1

\*Non-adhesive & no-clad rolls also available on request



FOAM TAPE		
CODE	DESCRIPTION	PACK QTY
HTFPVCB3.2X9X30	3.2mm x 9mm x 30m	20
HTFPVCB3.2X12X30	3.2mm x 12mm x 30m	20
HTFPVCB3.2X20X30	3.2mm x 20mm x 30m	20
HTFPVCB4.8X12X15	4.8mm x 12mm x 15m	20
HTFPVCB4.8X15X15	4.8mm x 15mm x 15m	20
HTFPVCB4.8X18X15	4.8mm x 18mm x 15m	20
HTFPVCB6X15X12	6mm x 15mm x 12m	20
HTFPVCB6X18X12	6mm x 18mm x 12m	20



REINFORCED FOIL TAPE		
CODE	DESCRIPTION	PACK QTY
53FTR4805	48mm x 50m	1
53FTR7205	72mm x 50m	1
53FTR9605	96mm x 50m	1



BLUE DUCT WRAP PROTECTOR FILM		
CODE	DESCRIPTION	PACK QTY
53BDW-600	600mm	1
53BDW-900	900mm	1

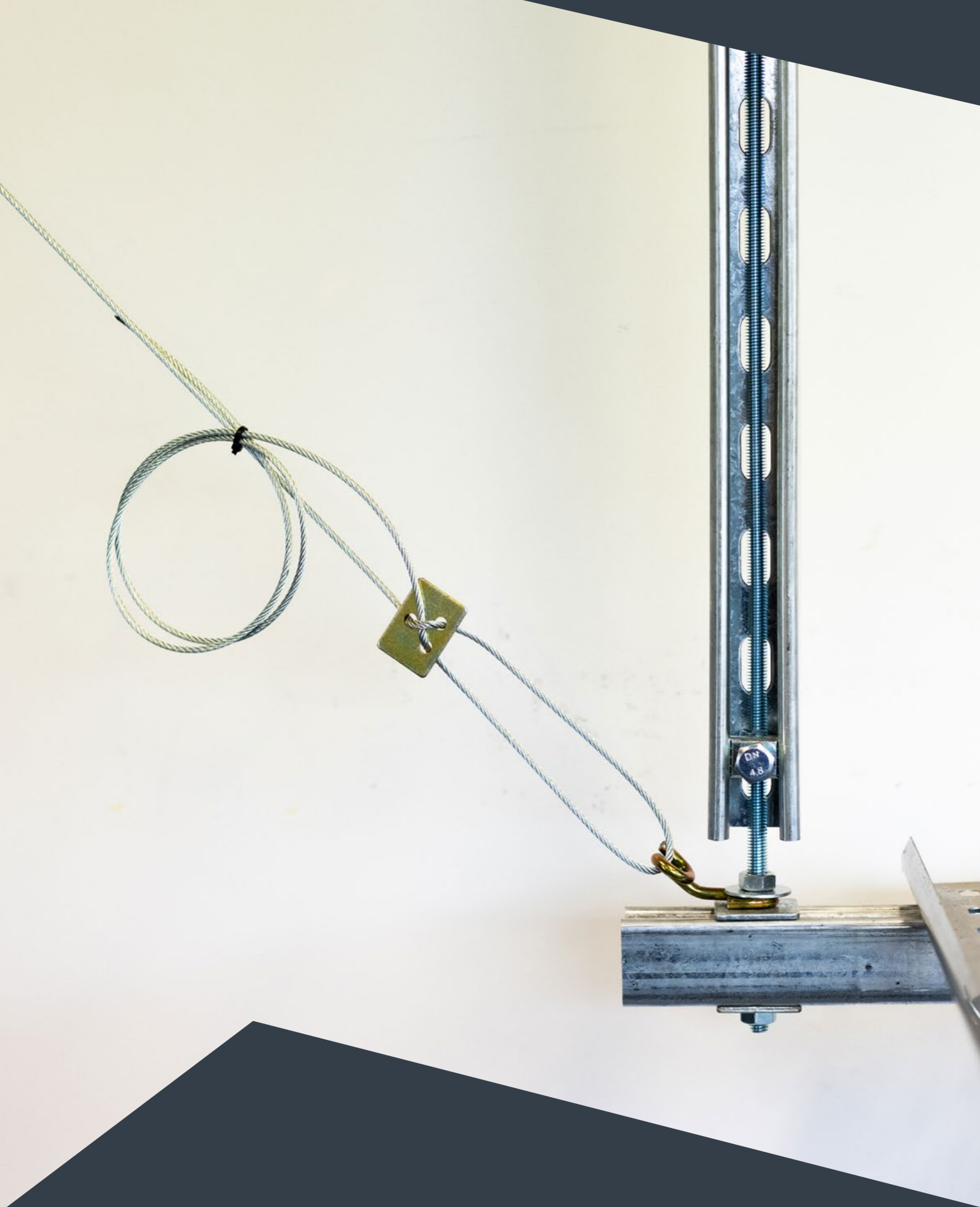


NO CLAD FOIL TAPE		
CODE	DESCRIPTION	PACK QTY
53FTNC7550	72mm x 50m	1



FOIL KRAFT TAPE		
CODE	DESCRIPTION	PACK QTY
53FT4805	48mm x 45m	1
53FT7205	72mm x 45m	1





## V.LOCK

RETROFIT HOOK END	126
45° ANGLE BRACKET END	127
45° RETROFIT ANGLE BRACKET END	128
ZEDFAST	129
DELTA	130
SUPERREEL	131

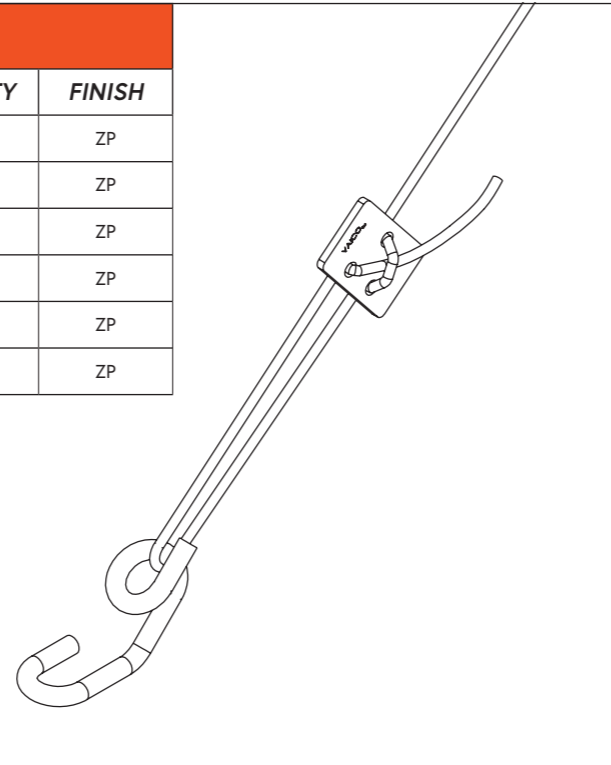
**KEEPING BUSINESS'S  
MOVING & MAKING**

 [www.fdg.nz.com](http://www.fdg.nz.com)  
 [sales@fdg.nz.com](mailto:sales@fdg.nz.com)  
 0800 555 464

V.LOCK RETROFIT HOOK END - 3MM			
CODE	DESCRIPTION	PACK QTY	FINISH
V31H	V.LOCK brace, 3mm x 1m with retrofit hook brackets	10	ZP
V32H	V.LOCK brace, 3mm x 2m with retrofit hook brackets	10	ZP
V33H	V.LOCK brace, 3mm x 3m with retrofit hook brackets	10	ZP
V34H	V.LOCK brace, 3mm x 4m with retrofit hook brackets	10	ZP
V36H	V.LOCK brace, 3mm x 6m with retrofit hook brackets	4	ZP
V310H	V.LOCK brace, 3mm x 10m with retrofit hook brackets	4	ZP

\*Rating (ULS): 480kg

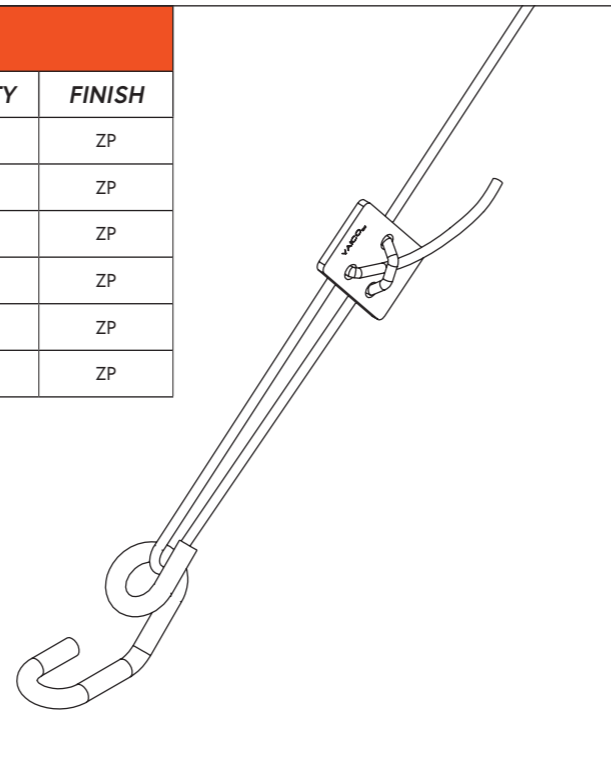
\*\*Available in HDG & SS316



V.LOCK RETROFIT HOOK END - 5MM			
CODE	DESCRIPTION	PACK QTY	FINISH
V51H	V.LOCK brace, 5mm x 1m with retrofit hook brackets	2	ZP
V52H	V.LOCK brace, 5mm x 2m with retrofit hook brackets	2	ZP
V53H	V.LOCK brace, 5mm x 3m with retrofit hook brackets	2	ZP
V54H	V.LOCK brace, 5mm x 4m with retrofit hook brackets	2	ZP
V56H	V.LOCK brace, 5mm x 6m with retrofit hook brackets	2	ZP
V510H	V.LOCK brace, 5mm x 10m with retrofit hook brackets	2	ZP

\*Rating (ULS): 635kg

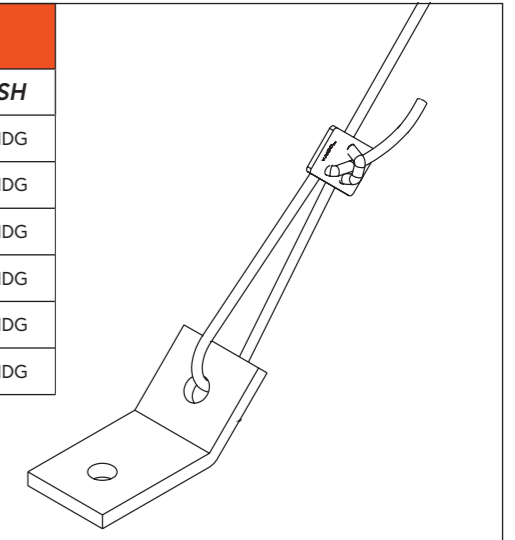
\*\*Available in HDG & SS316



V.LOCK 45° ANGLE BRACKET END - 3MM			
CODE	DESCRIPTION	PACK QTY	FINISH
V31AB45	V.LOCK brace, 3mm x 1m with 45° angle brackets	4	ZP + HDG
V32AB45	V.LOCK brace, 3mm x 2m with 45° angle brackets	4	ZP + HDG
V33AB45	V.LOCK brace, 3mm x 3m with 45° angle brackets	4	ZP + HDG
V34AB45	V.LOCK brace, 3mm x 4m with 45° angle brackets	4	ZP + HDG
V36AB45	V.LOCK brace, 3mm x 6m with 45° angle brackets	4	ZP + HDG
V310AB45	V.LOCK brace, 3mm x 10m with 45° angle brackets	2	ZP + HDG

\*Rating (ULS): 485kg

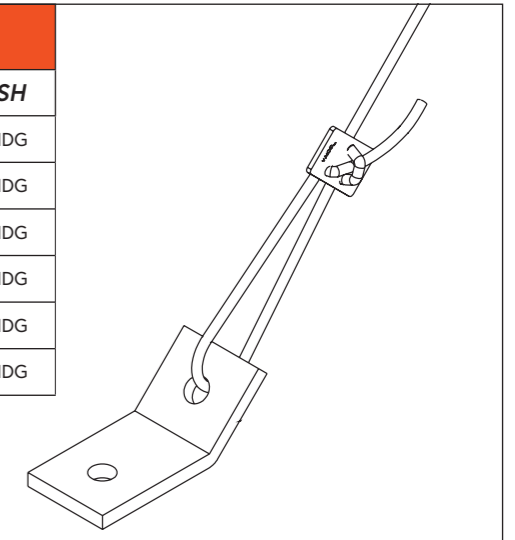
\*\*Available in SS316



V.LOCK 45° ANGLE BRACKET END - 5MM			
CODE	DESCRIPTION	PACK QTY	FINISH
V51AB45	V.LOCK brace, 5mm x 1m with 45° angle brackets	4	ZP + HDG
V52AB45	V.LOCK brace, 5mm x 2m with 45° angle brackets	4	ZP + HDG
V53AB45	V.LOCK brace, 5mm x 3m with 45° angle brackets	4	ZP + HDG
V54AB45	V.LOCK brace, 5mm x 4m with 45° angle brackets	2	ZP + HDG
V56AB45	V.LOCK brace, 5mm x 6m with 45° angle brackets	2	ZP + HDG
V510AB45	V.LOCK brace, 5mm x 10m with 45° angle brackets	2	ZP + HDG

\*Rating (ULS): 1046kg

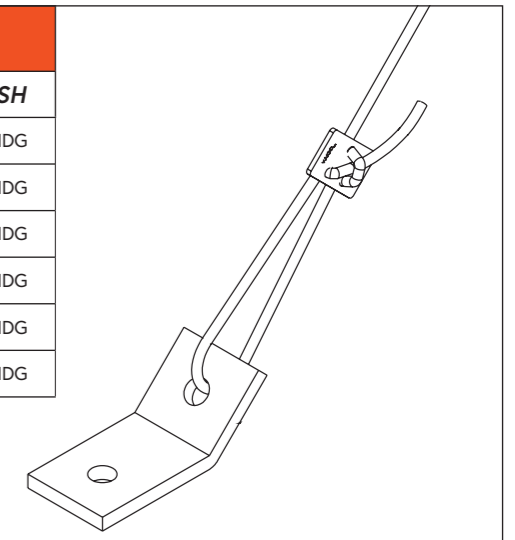
\*\*Available in SS316



V.LOCK 45° ANGLE BRACKET END - 6MM			
CODE	DESCRIPTION	PACK QTY	FINISH
V61AB45	V.LOCK brace, 6mm x 1m with 45° angle brackets	2	ZP + HDG
V62AB45	V.LOCK brace, 6mm x 2m with 45° angle brackets	2	ZP + HDG
V63AB45	V.LOCK brace, 6mm x 3m with 45° angle brackets	2	ZP + HDG
V64AB45	V.LOCK brace, 6mm x 4m with 45° angle brackets	2	ZP + HDG
V66AB45	V.LOCK brace, 6mm x 6m with 45° angle brackets	1	ZP + HDG
V610AB45	V.LOCK brace, 6mm x 10m with 45° angle brackets	1	ZP + HDG

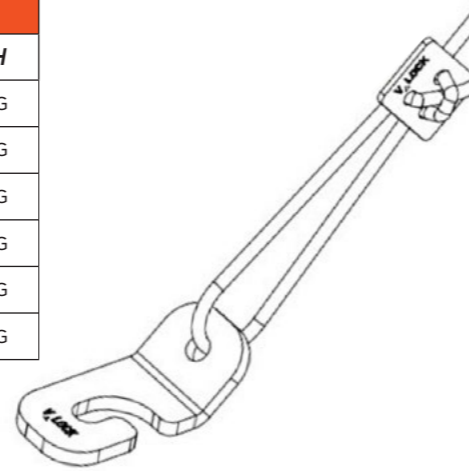
\*Rating (ULS): 1489kg

\*\*Available in SS316



## V.LOCK 45° RETROFIT ANGLE BRACKET END - 3MM

CODE	DESCRIPTION	PACK QTY	FINISH
V31RAB45	V.LOCK brace, 3mm x 1m with 45° retrofit angle brackets	4	ZP + HDG
V32RAB45	V.LOCK brace, 3mm x 2m with 45° retrofit angle brackets	4	ZP + HDG
V33RAB45	V.LOCK brace, 3mm x 3m with 45° retrofit angle brackets	4	ZP + HDG
V34RAB45	V.LOCK brace, 3mm x 4m with 45° retrofit angle brackets	4	ZP + HDG
V36RAB45	V.LOCK brace, 3mm x 6m with 45° retrofit angle brackets	4	ZP + HDG
V310RAB45	V.LOCK brace, 3mm x 10m with 45° retrofit angle brackets	2	ZP + HDG



\*Rating (ULS): 485kg

\*\*Available in SS316



## ZEDFAST LOOP END - 2MM

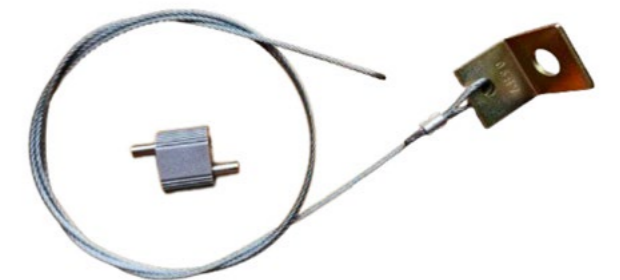
CODE	DESCRIPTION	PACK QTY
Z21L	ZedFast suspension hanger, 2mm x 1m with loop end	10
Z22L	ZedFast suspension hanger, 2mm x 2m with loop end	10
Z23L	ZedFast suspension hanger, 2mm x 3m with loop end	10
Z24L	ZedFast suspension hanger, 2mm x 4m with loop end	10
Z26L	ZedFast suspension hanger, 2mm x 6m with loop end	4
Z210L	ZedFast suspension hanger, 2mm x 10m with loop end	4



\*Rating (ULS): 56kg

## ZEDFAST 90° ANGLE BRACKET END - 2MM


CODE	DESCRIPTION	PACK QTY
Z21AB90	ZedFast suspension hanger, 2mm x 1m with 90° angle bracket	10
Z22AB90	ZedFast suspension hanger, 2mm x 2m with 90° angle bracket	10
Z23AB90	ZedFast suspension hanger, 2mm x 3m with 90° angle bracket	10
Z24AB90	ZedFast suspension hanger, 2mm x 4m with 90° angle bracket	10
Z26AB90	ZedFast suspension hanger, 2mm x 6m with 90° angle bracket	4
Z210AB90	ZedFast suspension hanger, 2mm x 10m with 90° angle bracket	4




\*Rating (ULS): 56kg



DELTA LOOP END - 2MM		
CODE	DESCRIPTION	PACK QTY
DE20	Delta 2mm galvanised expansion pack, 20 suspension points	1




DELTA LOOP END - 2MM		
CODE	DESCRIPTION	PACK QTY
D21L	Delta suspension hanger, 2mm x 1m with loop end	10
D22L	Delta suspension hanger, 2mm x 2m with loop end	10
D23L	Delta suspension hanger, 2mm x 3m with loop end	10
D24L	Delta suspension hanger, 2mm x 4m with loop end	10
D26L	Delta suspension hanger, 2mm x 6m with loop end	4
D210L	Delta suspension hanger, 2mm x 10m with loop end	4




\*Rating (ULS): 56kg

DELTA 90° ANGLE BRACKET END - 2MM		
CODE	DESCRIPTION	PACK QTY
D21AB90	Delta suspension hanger, 2mm x 1m with 90° angle bracket	10
D22AB90	Delta suspension hanger, 2mm x 2m with 90° angle bracket	10
D23AB90	Delta suspension hanger, 2mm x 3m with 90° angle bracket	10
D24AB90	Delta suspension hanger, 2mm x 4m with 90° angle bracket	10
D26AB90	Delta suspension hanger, 2mm x 6m with 90° angle bracket	4
D210AB90	Delta suspension hanger, 2mm x 10m with 90° angle bracket	4



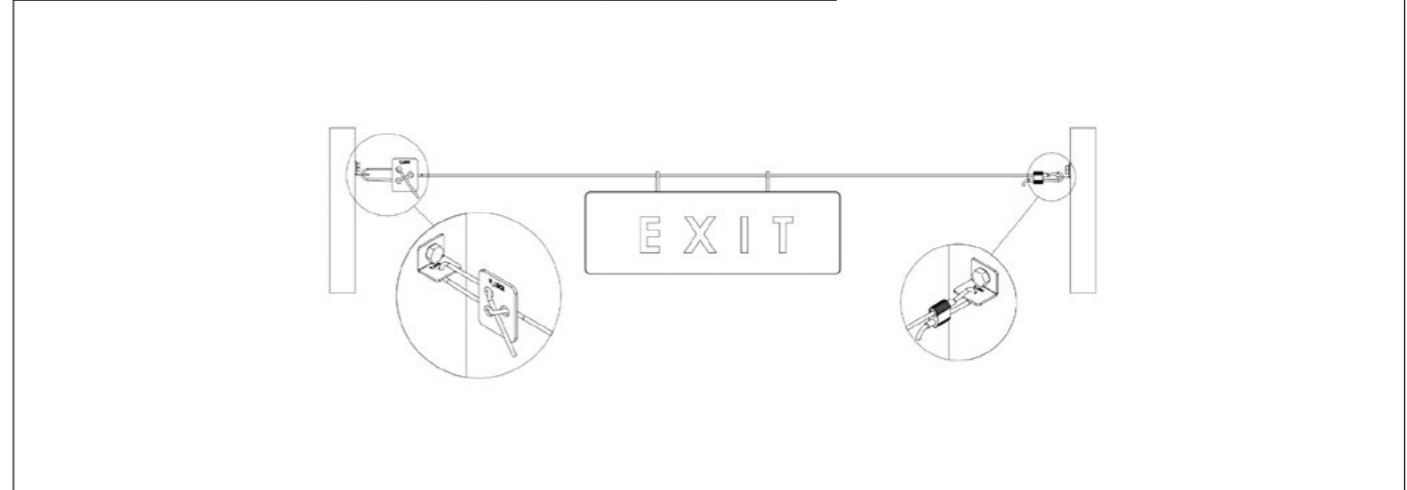
\*Rating (ULS): 56kg

SUPERREEL - 2MM	
CODE	DESCRIPTION
S100	SuperReel 2mm galvanised 100m, 10 locations
S250	SuperReel 2mm galvanised 250m, 30 locations
S500	SuperReel 2mm galvanised 500m, 50 locations
SE25	SuperReel 2mm galvanised expansion pack, 25 locations
SW100	SuperReel 2mm galvanised wire reel, 100m
SW250	SuperReel 2mm galvanised wire reel, 250m
SW500	SuperReel 2mm galvanised wire reel, 500m
SW1000	SuperReel 2mm galvanised wire reel, 1,000m



\*Rating (ULS): 56kg

SUPERREEL KIT					
INCLUSIONS		S100	S250	S500	SE25
2mm Galvanised Wire	Meters	100	250	500	-
AB90 Angle Brackets	Units	20	60	100	50
V.LOCK Plates	Units	10	30	50	25
ZedFast Tensioners	Units	10	30	50	25





## ***ANCHORS***

<b>VERTICAL HANGERS</b>	<b>134</b>
<b>SEISMIC SCREW BOLTS</b>	<b>135</b>
<b>SEISMIC THROUGH BOLTS</b>	<b>136</b>
<b>SEISMIC CHEMICAL ANCHORS</b>	<b>137</b>
<b>SLEEVE ANCHORS</b>	<b>138</b>
<b>SCREW BOLT ANCHORS</b>	<b>140</b>
<b>WEDGE ANCHORS (THRU BOLTS)</b>	<b>142</b>
<b>DROP IN ANCHORS</b>	<b>143</b>
<b>NAIL IN ANCHORS</b>	<b>144</b>

**KEEPING BUSINESS'S  
MOVING & MAKING**

 [www.fdg.nz.com](http://www.fdg.nz.com)  
 [sales@fdg.nz.com](mailto:sales@fdg.nz.com)  
 0800 555 464

## SEISMIC VERTICAL HANGER - CONCRETE

CODE	DESCRIPTION	PACK QTY	FINISH	APPROVAL TYPE
MVT6X40Z	M10 Rod Hanger	100	Zinc/Galv	C1
MVT6X57Z	M10 Rod Hanger	100	Zinc	C1
MVT8X50Z	M10 Rod Hanger	100	Zinc/Galv	C1/C2
MVT8X50Z-M12	M12 Rod Hanger	100	Zinc / Galv	C1/C2



## VERTICAL HANGER - SDM

CODE	DESCRIPTION	PACK QTY	FINISH
MVSDMM10	1/4" X 25	100	Zinc

## SIDE HANGER - SDM

CODE	DESCRIPTION	PACK QTY	FINISH
MVSM10	1/4" X 25	100	Zinc



## VERTICAL HANGER - WOOD

CODE	DESCRIPTION	PACK QTY	FINISH
MVT17M10-25	14g X 25	100	Zinc
MVT17M10-50	14g X 50	100	Zinc

## SIDE HANGER - WOOD

CODE	DESCRIPTION	PACK QTY	FINISH
MVT17SM10	14g X 50	100	Zinc



## ZINC FLAKE HEX HEAD SCREW BOLT — C1/C2 SEISMIC RATED

SIZE	LENGTH	PRODUCT CODE	APPROVAL TYPE
6mm	40	MXB6X40ZF-s	ETA/Fire
6mm	50	MXB6X50ZF-S	ETA/Fire/C1
6mm	60	MXB6X60ZF-S	ETA/Fire/C1
6mm	75	MXB6X75ZF-S	ETA/Fire/C1
6mm	90	MXB6X90ZF-S	ETA/Fire/C1
6mm	100	MXB6X100ZF-S	ETA/Fire/C1
6mm	130	MXB6X130ZF-S	ETA/Fire/C1
8mm	75	MXB8X75ZF-S	ETA/Fire/C1/C2
8mm	90	MXB8X90ZF-S	ETA/Fire/C1/C2
8mm	100	MXB8X100ZF-S	ETA/Fire/C1/C2
8mm	120	MXB8X120ZF-S	ETA/Fire/C1/C2
8mm	130	MXB8X130ZF-S	ETA/Fire/C1/C2
8mm	150	MXB8X150ZF-S	ETA/Fire/C1/C2
10mm	60	MXB10X60ZF-S	ETA/Fire/C1
10mm	70	MXB10X70ZF-S	ETA/Fire/C1
10mm	80	MXB10X80ZF-S	ETA/Fire/C1
10mm	90	MXB10X90ZF-S	ETA/Fire/C1/C2
10mm	100	MXB10X100ZF-S	ETA/Fire/C1/C2
10mm	120	MXB10X120ZF-S	ETA/Fire/C1/C2
10mm	140	MXB10X140ZF-S	ETA/Fire/C1/C2
10mm	180	MXB10X180ZF-S	ETA/Fire/C1/C2
10mm	200	MXB10X200ZF-S	ETA/Fire/C1/C2
12mm	70	MXB12X70ZF-S	ETA/Fire/C1/C2
12mm	90	MXB12X90ZF-S	ETA/Fire/C1/C2
12mm	110	MXB12X110ZF-S	ETA/Fire/C1/C2
12mm	130	MXB12X130ZF-S	ETA/Fire/C1/C2
12mm	150	MXB12X150ZF-S	ETA/Fire/C1/C2
14mm	75	MXB14X75ZF-S	ETA/Fire/C1/C2
14mm	100	MXB14X100ZF-S	ETA/Fire/C1/C2
14mm	130	MXB14X130ZF-S	ETA/Fire/C1/C2
14mm	150	MXB14X150ZF-S	ETA/Fire/C1/C2
14mm	180	MXB14X180ZF-S	ETA/Fire/C1/C2



\*Zinc Flake Coating superior to HDG Coating. Standard Zinc Plate and A4 Stainless Steel finishes also available.



ZINC FLAKE THROUGH BOLTS (WEDGE ANCHORS) - C1/C2 SEISMIC RATED			
SIZE	LENGTH	PRODUCT CODE	APPROVAL TYPE
M8	65	MTB8X65ZF-S	ETA/Fire
M8	80	MTB8X80ZF-S	ETA/Fire
M8	100	MTB8X100ZF-S	ETA/Fire
M8	115	MTB8X115ZF-S	ETA/Fire
M10	65	MTB10X65ZF-S	ETA/Fire/C1/C2
M10	80	MTB10X80ZF-S	ETA/Fire/C1/C2
M10	95	MTB10X95ZF-S	ETA/Fire/C1/C2
M10	115	MTB10X115ZF-S	ETA/Fire/C1/C2
M10	130	MTB10X130ZF-S	ETA/Fire/C1/C2
M12	80	MTB12X80ZF-S	ETA/Fire/C1/C2
M12	100	MTB12X100ZF-S	ETA/Fire/C1/C2
M12	120	MTB12X120ZF-S	ETA/Fire/C1/C2
M12	135	MTB12X135ZF-S	ETA/Fire/C1/C2
M12	150	MTB12X150ZF-S	ETA/Fire/C1/C2
M16	105	MTB16X105ZF-S	ETA/Fire/C1/C2
M16	125	MTB16X125ZF-S	ETA/Fire/C1/C2
M16	140	MTB16X140ZF-S	ETA/Fire/C1/C2
M16	180	MTB16X180ZF-S	ETA/Fire/C1/C2
M16	220	MTB16X220ZF-S	ETA/Fire/C1/C2
M20	125	MTB20X125ZF-S	ETA/Fire/C1/C2
M20	160	MTB20X160ZF-S	ETA/Fire/C1/C2
M20	200	MTB20X200ZF-S	ETA/Fire/C1/C2

\*Zinc Flake Coating superior to HDG Coating. Standard Zinc Plate and A4 Stainless Steel finishes also available.

E600+ HIGH STRENGTH SEISMIC RATE PURE EPOXY CHEMICAL ANCHORING	
CODE	SIZE
E600+	585ml

- Pure Epoxy resin 3:1 mixing ratio – Pink Colour.
- Extremely high load capacity
- ETA Option 1.
- Seismic C1 & C2.
- 100 Years Working Life.
- Approved for use with Threaded Bar and Rebar.
- Fire Resistance Report F240 (post installed rebar connections).
- Suitable for use Overhead and in dry, wet & flooded holes.

\*Caulking Guns Available for Sale



H200+ FC FAST CURE SEISMIC NEW GENERATION POLYMER CHEMICAL ANCHORING	
CODE	SIZE
H200+ FC	300ml

- New Generation Polymer Styrene-free Chemical
- Fast Curing
- Colour Change Indicator from Blue to Grey
- ETA Option 1.
- Seismic C1 & C2.
- 100 Years Working Life.
- Approved for use with Threaded Bar and Rebar.
- Suitable for use in dry, wet & flooded holes.

\*Caulking Guns Available for Sale





SLEEVE ANCHORS (DYNABOLTS)				
Ø	LENGTH	YELLOW ZINC	GALVANIZED	316 STAINLESS
6mm	18mm	MSA6X18YZ		
6mm	25mm	MSA6X25YZ		
6mm	36mm	MSA6X36YZ		
6mm	40mm			MSA6X40A4
6mm	55mm			MSA6X55A4
6mm	75mm	MSA6X75YZ		
6.5mm	20mm	MSA6.5X20YZ	MSA6.5X20G	
6.5mm	25mm	MSA6.5X25YZ	MSA6.5X25G	
6.5mm	35mm	MSA6.5X35YZ	MSA6.5X35G	MSA6.5X35A4
6.5mm	55mm	MSA6.5X55YZ	MSA6.5X55G	MSA6.5X55A4
6.5mm	75mm	MSA6.5X75YZ	MSA6.5X75G	MSA6.5X75A4
8mm	40mm	MSA8X40YZ	MSA8X40G	MSA8X40A4
8mm	50mm			MSA8X50A4
8mm	65mm	MSA8X65YZ	MSA8X65G	MSA8X65A4
8mm	85mm	MSA8X85YZ	MSA8X85G	MSA8X85A4
8mm	90mm			MSA8X90A4
10mm	40mm	MSA10X40YZ	MSA10X40G	MSA10X40A4
10mm	50mm	MSA10X50YZ	MSA10X50G	MSA10X50A4
10mm	60mm	MSA10X60YZ	MSA10X60G	MSA10X60A4
10mm	75mm	MSA10X75YZ	MSA10X75G	MSA10X75A4
10mm	95mm	MSA10X95YZ	MSA10X95G	
10mm	100mm	MSA10X100YZ	MSA10X100G	MSA10X100A4
10mm	120mm	MSA10X120YZ		
10mm	125mm	MSA10X125YZ	MSA10X125G	
12mm	60mm	MSA12X60YZ	MSA12X60G	MSA12X60A4
12mm	75mm	MSA12X75YZ	MSA12X75G	MSA12X75A4
12mm	100mm	MSA12X100YZ	MSA12X100G	MSA12X100A4
12mm	130mm	MSA12X130YZ	MSA12X130G	MSA12X130A4
16mm	65mm	MSA16X65YZ	MSA16X65G	
16mm	100mm			MSA16X100A4
16mm	110mm	MSA16X110YZ	MSA16X110G	
16mm	111mm	MSA16X111YZ	MSA16X111G	
16mm	145mm	MSA16X145YZ	MSA16X145G	
20mm	75mm	MSA20X75YZ	MSA20X75G	
20mm	105mm	MSA20X105YZ	MSA20X105G	
20mm	150mm	MSA20X150YZ	MSA20X150G	

MASONRY FLUSH HEAD SLEEVE ANCHORS			
Ø	LENGTH	YELLOW ZINC	316 STAINLESS
6.5mm	55mm	MSF6.5X55YZ	
6.5mm	75mm	MSF6.5X75YZ	
6.5mm	100mm	MSF6.5X100YZ	
8mm	45mm	MSF8X45YZ	MSF8X45A4
8mm	60mm	MSF8X60YZ	
8mm	70mm	MSF8X70YZ	MSF8X70A4
8mm	85mm	MSF8X85YZ	
8mm	90mm	MSF8X90YZ	
8mm	100mm	MSF8X100YZ	
10mm	40mm		MSF10X40A4
10mm	45mm	MSF10X45YZ	MSF10X45A4
10mm	55mm	MSF10X55YZ	
10mm	60mm		MSF10X60A4
10mm	75mm	MSF10X75YZ	
10mm	80mm	MSF10X80YZ	MSF10X80A4
10mm	100mm	MSF10X100YZ	MSF10X100A4
12mm	65mm	MSF12X65YZ	
12mm	75mm		MSF12X75A4
12mm	80mm	MSF12X80YZ	
12mm	110mm	MSF12X110YZ	
16mm	75mm	MSF16X75YZ	
16mm	110mm	MSF16X110YZ	

\*Note these are not seismic rated

\*Note these are not seismic rated

**Milwaukee**

**SDS PLUS DUST TRAP**

M-48033035

ADD A SDS PLUS DUST TRAP TO YOUR TOOL ORDER AND KEEP YOUR TEAM SAFE **CALL 0800 555 464**



MASONRY SCREW BOLT ANCHORS					
Ø	LENGTH	YELLOW ZINC	ZINC	GALVANIZED	BIMETAL
6mm	30mm	MXB6X30YZ		MXB6X30G	
6mm	45mm				MXB6X45A4
6mm	50mm	MXB6X50YZ		MXB6X50G	
6mm	60mm				MXB6X60A4
6mm	75mm	MXB6X75YZ		MXB6X75G	
6mm	80mm				MXB6X80A4
6mm	100mm	MXB6X100YZ		MXB6X100G	
8mm	60mm	MXB8X60YZ		MXB8X60G	
8mm	75mm	MXB8X75YZ		MXB8X75G	MXB8X75A4
8mm	100mm	MXB8X100YZ		MXB8X100G	
10mm	60mm	MXB10X60YZ	MXB10X60Z	MXB10X60G	
10mm	75mm	MXB10X75YZ		MXB10X75G	MXB10X75A4
10mm	80mm		MXB10X80Z	MXB10X80G	
10mm	100mm	MXB10X100YZ		MXB10X100G	MXB10X100A4
10mm	115mm				MXB10X115A4
10mm	120mm		MXB10X120Z		
10mm	125mm	MXB10X125YZ		MXB10X125G	
10mm	150mm	MXB10X150YZ		MXB10X150G	MXB12X150A4
12mm	75mm	MXB12X75YZ	MXB12X75Z	MXB12X75G	
12mm	100mm	MXB12X100YZ		MXB12X100G	
12mm	110mm		MXB12X110Z	MXB12X110G	
12mm	130mm		MXB12X130Z		
12mm	150mm	MXB12X150YZ		MXB12X150G	
12mm	230mm	MXB12X230YZ			
16mm	100mm	MXB16X100YZ		MXB16X100G	
16mm	130mm		MXB16X130Z	MXB16X130G	
16mm	150mm	MXB16X150YZ	MXB16X150Z	MXB16X150G	
16mm	200mm	MXB16X200YZ			
20mm	200mm	MXB20X200YZ			
20mm	300mm	MXB20X300YZ			

\*Note these are not seismic rated



COUNTERSUNK			
Ø	LENGTH	YELLOW ZINC	GALVANIZED
6mm	50mm	MXC6X50YZ	MXC6X50G
6mm	75mm	MXC6X75YZ	
6mm	100mm	MXC6X100YZ	
6.5mm	50mm	MXC6.5X50YZ	MXC6.5X50G
6.5mm	75mm	MXC6.5X75YZ	MXC6.5X75G
6.5mm	100mm	MXC6.5X100YZ	MXC6.5X100G
8mm	50mm	MXC8X50YZ	MXC8X50G
8mm	60mm		MXC8X60G
8mm	75mm	MXC8X75YZ	MXC8X75G
8mm	100mm	MXC8X100YZ	
10mm	60mm	MXC10X60YZ	MXC10X60G
10mm	75mm	MXC10X75YZ	
10mm	100mm	MXC10X100YZ	MXC10X100G
12mm	75mm	MXC12X75YZ	MXC12X75G
12mm	100mm	MXC12X100YZ	MXC12X100G
12mm	110mm	MXC12X110YZ	
12mm	150mm	MXC12X150YZ	MXC12X150G



EYE SCREW BOLT			
Ø	LENGTH	YELLOW ZINC	GALVANIZED
8mm	55mm	MXE8X55YZ	MXE8X55G
10mm	65mm	MXE10X65YZ	MXE10X65G
12mm	75mm	MXE12X75YZ	MXE12X75G



\*Note these are not seismic rated



MASONRY WEDGE ANCHORS/THROUGH BOLTS				
Ø	LENGTH	YELLOW ZINC	GALVANIZED	316 STAINLESS
8mm	50mm		MTB8X50G	
8mm	65mm		MTB8X65G	
8mm	90mm		MTB8X90G	
10mm	60mm		MTB10X60G	
10mm	75mm		MTB10X75G	MTB10X75A4
10mm	90mm		MTB10X90G	MTB10X90A4
10mm	120mm		MTB10X120G	
12mm	80mm	MTB12X80YZ	MTB12X80G	MTB12X80A4
12mm	100mm	MTB12X100YZ	MTB12X100G	MTB12X100A4
12mm	120mm	MTB12X120YZ	MTB12X120G	MTB12X120A4
12mm	140mm	MTB12X140YZ	MTB12X140G	MTB12X140A4
12mm	180mm	MTB12X180YZ	MTB12X180G	MTB12X180A4
16mm	100mm	MTB16X100YZ	MTB16X100G	MTB16X100A4
16mm	105mm		MTB16X105G	MTB16X105A4
16mm	110mm		MTB16X110G	
16mm	125mm	MTB16X125YZ	MTB16X125G	MTB16X125A4
16mm	140mm	MTB16X140YZ	MTB16X140G	MTB16X140A4
16mm	180mm		MTB16X180G	MTB16X180A4
20mm	120mm	MTB20X120YZ	MTB20X120G	MTB20X120A4
20mm	125mm	MTB20X125YZ	MTB20X125G	
20mm	160mm	MTB20X160YZ	MTB20X160G	MTB20X160A4
20mm	173mm		MTB20X173G	
20mm	180mm		MTB20X180G	
20mm	200mm		MTB20X200G	
20mm	215mm		MTB20X215G	

\*Note these are not seismic rated

Come visit us online to find out more about our products & services.

**FDGNZ.COM**

## DROP (KNOCK) PIN ANCHOR

Ø	YELLOW ZINC		316 STAINLESS
		LIPPED	
6mm	MDIAM6X8YZ		MDIAM6A4
8mm	MDIAM8X10YZ		MDIAM8A4
10mm	MDIAM10X40YZ	MDIALM10X30YZ	MDIAM10A4
12mm	MDIAM12X50YZ	MDIALM12X50YZ	MDIAM12A4
16mm	MDIAM16X65YZ		MDIAM16A4
20mm	MDIAM20X80YZ		

## CHEMSET STUDS

Ø	YELLOW ZINC	GALVANIZED	316 STAINLESS
8mm	MKSC8Y	MKSC8G	MKSC8A4
10mm	MKSC10Y	MKSC10G	MKSC10A4
12mm	MKSC12Y	MKSC12G	MKSC12A4
16mm	MKSC16Y	MKSC16G	MKSC16A4
20mm	MKSC20Y	MKSC20G	MKSC20A4
24mm	MKSC24Y	MKSC24G	MKSC24A4

\*CUSTOM CUT STUDS AVAILABLE

## METAL PIN ANCHORS

Ø	LENGTH	ZINC	304 STAINLESS
5mm	22mm	MPA5X22Z	MPA5X22SS
6mm	25mm	MPA6X25Z	
6mm	32mm	MPA6X32Z	MPA6.5X32SS
6mm	40mm	MPA6X40Z	
6mm	50mm	MPA6X50Z	
6.5mm	25mm	MPA6.5X25Z	
6.5mm	40mm	MPA6.5X40Z	
6.5mm	50mm	MPA6.5X50Z	





Ø	LENGTH	MUSHROOM HEAD		COUNTERSUNK	ROUND HEAD	
		ZINC	316 STAINLESS	ZINC	ZINC	316 STAINLESS
5mm	19mm	MNM5X19Z				
5mm	25mm	MNM5X25Z	MNM5X25SS	MNC5X25Z	MNR5X25Z	MNR5X25SS
5mm	40mm	MNM5X40Z		MNC5X40Z	MNR5X40Z	
6mm	25mm	MNMZ6X25Z	MNM6X25SS	MNC6X25Z		
6mm	40mm		MNM6X40SS	MNC6X40Z		
6mm	50mm			MNC6X50Z		
6mm	75mm			MNC6X75Z		
6.5mm	10mm	MNM6.5X10Z				
6.5mm	25mm	MNM6.5X25Z			MNR6.5X25Z	
6.5mm	40mm	MNM6.5X40Z			MNR6.5X40Z	MNR6.5X40SS
6.5mm	50mm	MNM6.5X50Z			MNR6.5X50Z	
6.5mm	75mm	MNM6.5X75Z			MNR6X75Z	



Ø	LENGTH	MUSHROOM HEAD		COUNTERSUNK HEAD	
		ZINC	316 STAINLESS	ZINC	316 STAINLESS
5mm	38mm	MDS5X25Z			
5mm	50mm		MDS5X38A4		
5mm	38mm		MDS5X50A4		
6mm	50mm	MDS6X38Z		MDSC6X38Z	MDSC6X38A4
6mm	65mm	MDS6X50Z			MDSC6X50A4
6mm	75mm				MDSC6X65A4
6mm	100mm				MDSC6X75A4
6mm	25mm				MDSC6X100A4
6.5mm	38mm	MDS6.5X25Z			
6.5mm	40mm	MDS6.5X38Z	MDS6.5X38A4		
6.5mm	50mm	MDS6.5X40Z		MDSC6.5X40Z	MDSC6.5X40A4
6.5mm	65mm	MDS6.5X50Z	MDS6.5X50A4	MDSC6.5X50Z	MDSC6.5X50A4
6.5mm	75mm	MDS6.5X65Z		MDSC6.5X65Z	MDSC6.5X65A4
6.5mm	100mm	MDS6.5X75Z		MDSC6.5X75Z	MDSC6.5X75A4
6.5mm	100mm	MDS6.5X100Z			MDSC6.5X100A4





## **THREADED ROD**

4.6 METRIC THREADED ROD	148
8.8 METRIC THREADED ROD	148
STAINLESS THREADED ROD	149

**KEEPING BUSINESS'S  
MOVING & MAKING**

 [www.fdg.nz.com](http://www.fdg.nz.com)  
 [sales@fdg.nz.com](mailto:sales@fdg.nz.com)  
 0800 555 464

4.6 METRIC THREADED ROD			
Ø	ZINC		
	1M	2M	3M
6mm	TR466x1000Z	TR466x2000Z	
8mm	TR468x1000Z	TR468x2000Z	
10mm	TR4610x1000Z	TR4610x2000Z	TR4610x3000Z
12mm	TR4612x1000Z	TR4612x2000Z	TR4612x3000Z
14mm	TR4614x1000Z		
16mm	TR4616x1000Z	TR4616x2000Z	TR4616x3000Z

4.6 METRIC THREADED ROD			
Ø	GALVANIZED		
	1M	2M	3M
6mm			
8mm	TR468x1000G		
10mm	TR4610x1000G	TR4610x2000G	
12mm	TR4612x1000G	TR4612x2000G	TR4612x3000G
14mm	TR4614x1000G		
16mm	TR4616x1000G	TR4616x2000G	TR4616x3000G

8.8 METRIC THREADED ROD				
Ø	YELLOW ZINC	GALVANIZED		
	1M	1M	2M	3M
6mm	TR886x1000YZ			
8mm	TR888x1000YZ			
10mm	TR8810x1000YZ	TR8810x1000G		TR8810x3000G
12mm	TR8812x1000YZ	TR8812x1000G	TR8812x2000G	TR8812x3000G
14mm	TR8814x1000YZ			
16mm	TR8816x1000YZ	TR8816x1000G	TR8816x2000G	TR8816x3000G

Ø	304 STAINLESS			316 STAINLESS		
	1M	2M	3M	1M	2M	3M
3mm	TR3x1000A2			TR3x1000A4		
4mm	TR4x1000A2			TR4x1000A4		
5mm				TR5x1000A4		
6mm	TR6x1000A2			TR6x1000A4		
8mm	TR8x1000A2	TR8x2000A2		TR8x1000A4		
10mm	TR10x1000A2	TR10x2000A2	TR10x3000A2	TR10x1000A4	TR10x2000A4	TR10x3000A4
12mm	TR12x1000A2		TR12x3000A2	TR12x1000A4	TR12x2000A4	TR12x3000A4
14mm				TR14x1000A4		
16mm	TR16x1000A2			TR16x1000A4	TR16x2000A4	TR16x3000A4
18mm				TR18x1000A4		
20mm	TR20x1000A2	TR20x2000A2		TR20x1000A4	TR20x2000A4	TR20x3000A4
22mm				TR22x1000A4		
24mm	TR24x1000A2			TR24x1000A4	TR24x2000A4	TR24x3000A4
27mm				TR27x1000A4		TR30x3000A4
30mm				TR30x1000A4		
33mm				TR33x1000A4		
36mm				TR36x1000A4		

*Come visit us online to find out more about our products & services.*

**FDGNZ.COM**



## ***NUTS, BOLTS & WASHERS***

<b>BOLTS METRIC GRADE 4.6</b>	<b>152</b>
<b>BOLTS METRIC GRADE 8.8</b>	<b>155</b>
<b>BOLTS METRIC STAINLESS</b>	<b>157</b>
<b>NUTS</b>	<b>160</b>
<b>WASHERS</b>	<b>163</b>
<b>COACH BOLTS</b>	<b>166</b>



# METRIC 4.6 SET SCREW



METRIC 4.6 SET SCREW					
GALVANIZED					
Ø	M8	M10	M12	M16	M20
20mm	SS468X20G	SS4610X20G			
25mm	SS468X25G	SS4610X25G	SS4612X25G	SS4616X25G	
30mm	SS468X30G	SS4610X30G	SS4612X30G	SS4616X30G	
35mm		SS4610X35G	SS4612X35G	SS4616X35G	
40mm	SS468X40G	SS4610X40G	SS4612X40G	SS4616X40G	SS4620X40G
45mm				SS4616X45G	SS4620X45G
50mm	SS468X50G	SS4610X50G	SS4612X50G	SS4616X50G	SS4620X50G
55mm					SS4620X55G
60mm					SS4620X60G
65mm		SS4610X65G			
75mm		SS4610X75G	SS4612X75G		
90mm		SS4610X90G			
100mm		SS4610X100G			



METRIC 4.6 SET SCREW						
ZINC						
Ø	M6	M8	M10	M12	M16	M20
10mm	SS466X10Z					
12mm	SS466X12Z	SS468X12Z				
16mm	SS466X16Z	SS468X16Z	SS4610X16Z			
20mm	SS466X20Z	SS468X20Z	SS4610X20Z	SS4612X20Z		
25mm	SS466X25Z	SS468X25Z	SS4610X25Z	SS4612X25Z	SS4616X25Z	
30mm	SS466X30Z	SS468X30Z	SS4610X30Z	SS4612X30Z	SS4616X30Z	
35mm	SS466X35Z	SS468X35Z	SS4610X35Z	SS4612X35Z	SS4616X35Z	
40mm	SS466X40Z	SS468X40Z	SS4610X40Z	SS4612X40Z	SS4616X40Z	SS4620X40Z
45mm	SS466X45Z	SS468X45Z	SS4610X45Z	SS4612X45Z	SS4616X45Z	SS4620X45Z
50mm	SS466X50Z	SS468X50Z	SS4610X50Z	SS4612X50Z	SS4616X50Z	SS4620X50Z
55mm	SS466X55Z	SS468X55Z	SS4610X55Z			SS4620X55Z
60mm	SS466X60Z	SS468X60Z	SS4610X60Z	SS4612X60Z	SS4616X60Z	SS4620X60Z
65mm	SS466X65Z	SS468X65Z	SS4610X65Z	SS4612X65Z	SS4616X65Z	
70mm		SS468X70Z	SS4610X70Z	SS4612X70Z		
75mm	SS466X75Z	SS468X75Z	SS4610X75Z	SS4612X75Z	SS4616X75Z	
100mm			SS4610X100Z	SS4612X100Z	SS4616X100Z	

# METRIC 4.6 BOLT & NUT



METRIC 4.6 BOLT & NUT					
GALVANIZED					
Ø	M8	M10	M12	M16	M20
20mm	BN468X20G	BN4610X20G			
25mm	BN468X25G	BN4610X25G	BN4612X25G	BN4616X25G	
30mm	BN468X30G	BN4610X30G	BN4612X30G	BN4616X30G	
35mm	BN468X35G	BN4610X35G	BN4612X35G	BN4616X35G	
40mm	BN468X40G	BN4610X40G	BN4612X40G	BN4616X40G	BN4620X40G
45mm	BN468X45G	BN4610X45G	BN4612X45G	BN4616X45G	BN4620X45G
50mm	BN468X50G	BN4610X50G	BN4612X50G	BN4616X50G	BN4620X50G
55mm	BN468X55G	BN4610X55G	BN4612X55G	BN4616X55G	BN4620X55G
60mm	BN468X60G	BN4610X60G	BN4612X60G	BN4616X60G	BN4620X60G
65mm	BN468X65G	BN4610X65G	BN4612X65G	BN4616X65G	BN4620X65G
70mm	BN468X70G	BN4610X70G	BN4612X70G	BN4616X70G	BN4620X70G
75mm	BN468X75G	BN4610X75G	BN4612X75G	BN4616X75G	BN4620X75G
80mm	BN468X80G	BN4610X80G	BN4612X80G	BN4616X80G	BN4620X80G
90mm	BN468X90G	BN4610X90G	BN4612X90G	BN4616X90G	BN4620X90G
100mm	BN468X100G	BN4610X100G	BN4612X100G	BN4616X100G	BN4620X100G
110mm	BN468X110G	BN4610X110G	BN4612X110G	BN4616X110G	BN4620X110G
120mm	BN468X120G	BN4610X120G	BN4612X120G	BN4616X120G	BN4620X120G
130mm	BN468X130G	BN4610X130G	BN4612X130G	BN4616X130G	BN4620X130G
140mm	BN468X140G	BN4610X140G	BN4612X140G	BN4616X140G	BN4620X140G
150mm	BN468X150G	BN4610X150G	BN4612X150G	BN4616X150G	BN4620X150G



**FDG**

**FULL RANGE OF SIZES  
AVAILABLE ON REQUEST!**

TALK TO US TODAY TO FIND OUT MORE ON **0800 555 464**



# METRIC 4.6 BOLT & NUT



METRIC 4.6 BOLT & NUT						
ZINC						
Ø	M6	M8	M10	M12	M16	M20
12mm	BN466X12Z	BN468X12Z				
16mm	BN466X16Z	BN468X16Z	BN4610X16Z			
20mm	BN466X20Z	BN468X20Z	BN4610X20Z	BN4612X20Z		
25mm	BN466X25Z	BN468X25Z	BN4610X25Z	BN4612X25Z	BN4616X25Z	
30mm	BN466X30Z	BN468X30Z	BN4610X30Z	BN4612X30Z	BN4616X30Z	
35mm	BN466X35Z	BN468X35Z	BN4610X35Z	BN4612X35Z	BN4616X35Z	
40mm	BN466X40Z	BN468X40Z	BN4610X40Z	BN4612X40Z	BN4616X40Z	BN4620X40Z
45mm	BN466X45Z	BN468X45Z	BN4610X45Z	BN4612X45Z	BN4616X45Z	BN4620X45Z
50mm	BN466X50Z	BN468X50Z	BN4610X50Z	BN4612X50Z	BN4616X50Z	BN4620X50Z
55mm	BN466X55Z	BN468X55Z	BN4610X55Z	BN4612X55Z	BN4616X55Z	BN4620X55Z
60mm	BN466X60Z	BN468X60Z	BN4610X60Z	BN4612X60Z	BN4616X60Z	BN4620X60Z
65mm	BN466X65Z	BN468X65Z	BN4610X65Z	BN4612X65Z	BN4616X65Z	BN4620X65Z
70mm	BN466X70Z	BN468X70Z	BN4610X70Z	BN4612X70Z	BN4616X70Z	BN4620X70Z
75mm	BN466X75Z	BN468X75Z	BN4610X75Z	BN4612X75Z	BN4616X75Z	BN4620X75Z
80mm	BN466X80Z	BN468X80Z	BN4610X80Z	BN4612X80Z	BN4616X80Z	BN4620X80Z
90mm	BN466X90Z	BN468X90Z	BN4610X90Z	BN4612X90Z	BN4616X90Z	BN4620X90Z
100mm	BN466X100Z	BN468X100Z	BN4610X100Z	BN4612X100Z	BN4616X100Z	BN4620X100Z
110mm	BN466X110Z	BN468X110Z	BN4610X110Z	BN4612X110Z	BN4616X110Z	BN4620X110Z
120mm	BN466X120Z	BN468X120Z	BN4610X120Z	BN4612X120Z	BN4616X120Z	BN4620X120Z
130mm	BN466X130Z	BN468X130Z	BN4610X130Z	BN4612X130Z	BN4616X130Z	BN4620X130Z
140mm	BN466X140Z	BN468X140Z	BN4610X140Z	BN4612X140Z	BN4616X140Z	BN4620X140Z
150mm	BN466X150Z	BN468X150Z	BN4610X150Z	BN4612X150Z	BN4616X150Z	BN4620X150Z
160mm			BN4610X160Z	BN4612X160Z	BN4616X160Z	BN4620X160Z
170mm			BN4610X170Z			
180mm			BN4610X180Z	BN4612X180Z	BN4616X180Z	BN4620X180Z
200mm			BN4610X200Z	BN4612X200Z	BN4616X200Z	BN4620X200Z

# METRIC 8.8 SET SCREW



METRIC 8.8 SET SCREW							
ZINC							
Ø	M4	M5	M6	M8	M10	M12	M16
10mm	SS884X10Z						
12mm	SS884X12Z	SS885X12Z	SS886X12Z	SS888X12Z			
16mm	SS884X16Z	SS885X16Z	SS886X16Z	SS888X16Z	SS8810X16Z	SS8812X16Z	
20mm	SS884X20Z	SS885X20Z	SS886X20Z	SS888X20Z	SS8810X20Z	SS8812X20Z	
25mm	SS884X25Z	SS885X25Z	SS886X25Z	SS888X25Z	SS8810X25Z	SS8812X25Z	
30mm	SS884X30Z	SS885X30Z	SS886X30Z	SS888X30Z	SS8810X30Z	SS8812X30Z	SS8816X30Z
35mm			SS886X35Z	SS888X35Z	SS8810X35Z	SS8812X35Z	SS8816X35Z
40mm		SS885X40Z	SS886X40Z	SS888X40Z	SS8810X40Z	SS8812X40Z	SS8816X40Z
45mm			SS886X45Z	SS888X45Z	SS8810X45Z	SS8812X45Z	SS8816X45Z
50mm		SS885X50Z	SS886X50Z	SS888X50Z	SS8810X50Z	SS8812X50Z	SS8816X50Z
55mm			SS886X55Z	SS888X55Z	SS8810X55Z	SS8812X55Z	SS8816X55Z
60mm			SS886X60Z	SS888X60Z	SS8810X60Z	SS8812X60Z	SS8816X60Z
65mm			SS886X65Z	SS888X65Z	SS8810X65Z	SS8812X65Z	SS8816X65Z
70mm			SS886X70Z	SS888X70Z	SS8810X70Z	SS8812X70Z	SS8816X70Z
75mm			SS886X75Z	SS888X75Z	SS8810X75Z	SS8812X75Z	SS8816X75Z
80mm			SS886X80Z	SS888X80Z	SS8810X80Z	SS8812X80Z	SS8816X80Z
90mm			SS886X90Z	SS888X90Z	SS8810X90Z	SS8812X90Z	SS8816X90Z
100mm			SS886X100Z	SS888X100Z	SS8810X100Z	SS8812X100Z	SS8816X100Z
120mm				SS888X120Z	SS8810X120Z	SS8812X120Z	SS8816X120Z
150mm						SS8812X150Z	SS8816X150Z



# METRIC 8.8 BOLT ONLY



METRIC 8.8 BOLT ONLY						
ZINC						
Ø	M8	M10	M12	M16	M20	M24
12mm	BO888X12Z					
16mm	BO888X16Z	BO8810X16Z				
20mm	BO888X20Z	BO8810X20Z	BO8812X20Z			
25mm	BO888X25Z	BO8810X25Z	BO8812X25Z	BO8816X25Z		
30mm	BO888X30Z	BO8810X30Z	BO8812X30Z	BO8816X30Z	BO8820X30Z	
35mm	BO888X35Z	BO8810X35Z	BO8812X35Z	BO8816X35Z		
40mm	BO888X40Z	BO8810X40Z	BO8812X40Z	BO8816X40Z	BO8820X40Z	BO8824X40Z
45mm	BO888X45Z	BO8810X45Z	BO8812X45Z	BO8816X45Z	BO8820X45Z	BO8824X45Z
50mm	BO888X50Z	BO8810X50Z	BO8812X50Z	BO8816X50Z	BO8820X50Z	BO8824X50Z
55mm	BO888X55Z	BO8810X55Z	BO8812X55Z	BO8816X55Z	BO8820X55Z	BO8824X55Z
60mm	BO888X60Z	BO8810X60Z	BO8812X60Z	BO8816X60Z	BO8820X60Z	BO8824X60Z
65mm	BO888X65Z	BO8810X65Z	BO8812X65Z	BO8816X65Z	BO8820X65Z	BO8824X65Z
70mm	BO888X70Z	BO8810X70Z	BO8812X70Z	BO8816X70Z	BO8820X70Z	BO8824X70Z
75mm	BO888X75Z	BO8810X75Z	BO8812X75Z	BO8816X75Z	BO8820X75Z	BO8824X75Z
80mm	BO888X80Z	BO8810X80Z	BO8812X80Z	BO8816X80Z	BO8820X80Z	BO8824X80Z
85mm	BO888X85Z	BO8810X85Z	BO8812X85Z	BO8816X85Z	BO8820X85Z	
90mm	BO888X90Z	BO8810X90Z	BO8812X90Z	BO8816X90Z	BO8820X90Z	BO8824X90Z
100mm	BO888X100Z	BO8810X100Z	BO8812X100Z	BO8816X100Z	BO8820X100Z	BO8824X100Z
110mm	BO888X110Z	BO8810X110Z	BO8812X110Z	BO8816X110Z	BO8820X110Z	BO8824X110Z
120mm	BO888X120Z	BO8810X120Z	BO8812X120Z	BO8816X120Z	BO8820X120Z	BO8824X120Z
130mm	BO888X130Z	BO8810X130Z	BO8812X130Z	BO8816X130Z	BO8820X130Z	BO8824X130Z
140mm	BO888X140Z	BO8810X140Z	BO8812X140Z	BO8816X140Z	BO8820X140Z	BO8824X140Z
150mm	BO888X150Z	BO8810X150Z	BO8812X150Z	BO8816X150Z	BO8820X150Z	BO8824X150Z
160mm					BO8820X160Z	BO8824X160Z
170mm					BO8820X170Z	
180mm					BO8820X180Z	BO8824X180Z
200mm					BO8820X200Z	BO8824X200Z
220mm					BO8820X220Z	BO8824X220Z
240mm		BO8810X240Z	BO8812X240Z	BO8816X240Z	BO8820X240Z	BO8824X240Z
260mm		BO8810X260Z	BO8812X260Z	BO8816X260Z	BO8820X260Z	BO8824X260Z
280mm		BO8810X280Z	BO8812X280Z	BO8816X280Z	BO8820X280Z	BO8824X280Z
300mm		BO8810X300Z	BO8812X300Z	BO8816X300Z	BO8820X300Z	BO8824X300Z
320mm					BO8820X320Z	
340mm					BO8820X340Z	
360mm					BO8820X360Z	
380mm					BO8820X380Z	
400mm					BO8820X400Z	

# METRIC STAINLESS SET SCREW



METRIC STAINLESS SET SCREW					
304 STAINLESS					
Ø	M6	M8	M10	M12	M16
8mm	SS6X8A2				
10mm	SS6X10A2				
12mm	SS6X12A2	SS8X12A2			
16mm	SS6X16A2	SS8X16A2	SS10X16A2		
20mm	SS6X20A2	SS8X20A2	SS10X20A2		
25mm	SS6X25A2	SS8X25A2	SS10X25A2	SS12X25A2	
30mm	SS6X30A2	SS8X30A2	SS10X30A2	SS12X30A2	SS16X30A2
35mm	SS6X35A2	SS8X35A2	SS10X35A2	SS12X35A2	SS16X35A2
40mm	SS6X40A2	SS8X40A2	SS10X40A2	SS12X40A2	SS16X40A2
45mm	SS6X45A2	SS8X45A2	SS10X45A2		SS16X45A2
50mm	SS6X50A2	SS8X50A2	SS10X50A2	SS12X50A2	SS16X50A2
55mm		SS8X55A2			
60mm	SS6X60A2	SS8X60A2	SS10X60A2		SS16X60A2
65mm		SS8X65A2	SS10X65A2		
75mm	SS6X75A2		SS10X75A2		
100mm		SS8X100A2	SS10X100A2		



316 STAINLESS							
Ø	M4	M5	M6	M8	M10	M12	M16
6mm	SS4X6A4						
8mm	SS4X8A4						
10mm	SS4X10A4	SS5X10A4	SS6X10A4				
12mm	SS4X12A4	SS5X12A4	SS6X12A4	SS8X12A4			
16mm	SS4X16A4	SS5X16A4	SS6X16A4	SS8X16A4	SS10X16A4		
20mm	SS4X20A4	SS5X20A4	SS6X20A4	SS8X20A4	SS10X20A4	SS12X20A4	
25mm	SS4X25A4	SS5X25A4	SS6X25A4	SS8X25A4	SS10X25A4	SS12X25A4	SS16X25A4
30mm	SS4X30A4	SS5X30A4	SS6X30A4	SS8X30A4	SS10X30A4	SS12X30A4	SS16X30A4
35mm	SS4X35A4	SS5X35A4	SS6X35A4	SS8X35A4	SS10X35A4	SS12X35A4	SS16X35A4
40mm	SS4X40A4	SS5X40A4	SS6X40A4	SS8X40A4	SS10X40A4	SS12X40A4	SS16X40A4
45mm			SS6X45A4	SS8X45A4	SS10X45A4	SS12X45A4	SS16X45A4
50mm	SS4X50A4	SS5X50A4	SS6X50A4	SS8X50A4	SS10X50A4	SS12X50A4	SS16X50A4
55mm							SS16X55A4
60mm		SS5X60A4	SS6X60A4	SS8X60A4	SS10X60A4	SS12X60A4	SS16X60A4
65mm				SS8X65A4	SS10X65A4	SS12X65A4	
70mm							SS16X70A4
75mm				SS8X75A4	SS10X75A4	SS12X75A4	SS16X75A4
100mm				SS8X100A4	SS10X100A4	SS12X100A4	SS16X100A4





METRIC STAINLESS BOLTS					
304 STAINLESS					
Ø	M6	M8	M10	M12	M16
30mm	BO6X30A2				
35mm	BO6X35A2	BO8X35A2	BO10X35A2		
40mm	BO6X40A2	BO8X40A2	BO10X40A2	BO12X40A2	
45mm	BO6X45A2	BO8X45A2	BO10X45A2	BO12X45A2	
50mm	BO6X50A2	BO8X50A2	BO10X50A2	BO12X50A2	BO16X50A2
55mm	BO6X55A2	BO8X55A2	BO10X55A2	BO12X55A2	BO16X55A2
60mm	BO6X60A2	BO8X60A2	BO10X60A2	BO12X60A2	BO16X60A2
65mm	BO6X65A2	BO8X65A2	BO10X65A2	BO12X65A2	BO16X65A2
70mm	BO6X70A2	BO8X70A2	BO10X70A2	BO12X70A2	BO16X70A2
75mm	BO6X75A2	BO8X75A2	BO10X75A2	BO12X75A2	BO16X75A2
80mm	BO6X80A2	BO8X80A2	BO10X80A2	BO12X80A2	BO16X80A2
85mm					BO16X85A2
90mm	BO6X90A2	BO8X90A2	BO10X90A2	BO12X90A2	BO16X90A2
100mm	BO6X100A2	BO8X100A2	BO10X100A2	BO12X100A2	BO16X100A2
110mm	BO6X110A2	BO8X110A2	BO10X110A2	BO12X110A2	BO16X110A2
120mm	BO6X120A2	BO8X120A2	BO10X120A2	BO12X120A2	BO16X120A2
130mm	BO6X130A2	BO8X130A2	BO10X130A2	BO12X130A2	BO16X130A2
140mm		BO8X140A2	BO10X140A2	BO12X140A2	BO16X140A2
150mm	BO6X150A2	BO8X150A2	BO10X150A2	BO12X150A2	BO16X150A2



METRIC STAINLESS BOLTS						
316 STAINLESS						
Ø	M6	M8	M10	M12	M14	M16
30mm	BO6X30A4					
35mm	BO6X35A4	BO8X35A4				
40mm	BO6X40A4	BO8X40A4	BO10X40A4	BO12X40A4		
45mm	BO6X45A4	BO8X45A4	BO10X45A4	BO12X45A4		
50mm	BO6X50A4	BO8X50A4	BO10X50A4	BO12X50A4		BO16X50A4
55mm	BO6X55A4	BO8X55A4	BO10X55A4	BO12X55A4		BO16X55A4
60mm	BO6X60A4	BO8X60A4	BO10X60A4	BO12X60A4		BO16X60A4
65mm	BO6X65A4	BO8X65A4	BO10X65A4	BO12X65A4		BO16X65A4
70mm	BO6X70A4	BO8X70A4	BO10X70A4	BO12X70A4	BO14X70A4	BO16X70A4
75mm	BO6X75A4	BO8X75A4	BO10X75A4	BO12X75A4		BO16X75A4
80mm	BO6X80A4	BO8X80A4	BO10X80A4	BO12X80A4	BO14X80A4	BO16X80A4
90mm	BO6X90A4	BO8X90A4	BO10X90A4	BO12X90A4	BO14X90A4	BO16X90A4
100mm	BO6X100A4	BO8X100A4	BO10X100A4	BO12X100A4	BO14X100A4	BO16X100A4
110mm	BO6X110A4	BO8X110A4	BO10X110A4	BO12X110A4		BO16X110A4
120mm	BO6X120A4	BO8X120A4	BO10X120A4	BO12X120A4	BO14X120A4	BO16X120A4
130mm	BO6X130A4	BO8X130A4	BO10X130A4	BO12X130A4		BO16X130A4
140mm		BO8X140A4	BO10X140A4	BO12X140A4		BO16X140A4
150mm	BO6X150A4	BO8X150A4	BO10X150A4	BO12X150A4	BO14X150A4	BO16X150A4

**FDG**

**FULL RANGE OF SIZES  
AVAILABLE ON REQUEST!**

TALK TO US TODAY TO FIND OUT MORE ON **0800 555 464**





GRADE 5 HEX NUT		GRADE 8 HEX NUT	
Ø	GALVANIZED	ZINC	GALVANIZED
2mm		NUTM2H8Z	
3mm		NUTM3H8Z	
4mm		NUTM4H8Z	
5mm		NUTM5H8Z	
6mm	NUTM6H5G	NUTM6H8Z	
8mm	NUTM8H5G	NUTM8H8Z	
10mm	NUTM10H5G	NUTM10H8Z	NUTM10H8G
12mm	NUTM12H5G	NUTM12H8Z	NUTM12H8G
14mm		NUTM14H8Z	
16mm	NUTM16H5G	NUTM16H8Z	NUTM16H8G
18mm		NUTM18H8Z	
20mm	NUTM20H5G	NUTM20H8Z	NUTM20H8G
22mm			
24mm	NUTM24H5G	NUTM24H8Z	
27mm	NUTM27H5G		NUTM27H8G
30mm	NUTM30H5G	NUTM30H8Z	NUTM30H8G
33mm	NUTM33H5G		NUTM33H8G
36mm	NUTM36H5G	NUTM36H8Z	NUTM36H8G
42mm	NUTM42H5G		NUTM42H8G
45mm		NUTM45H8Z	
48mm			NUTM48H8G
56mm			NUTM56H8G



STAINLESS HEX NUT		
Ø	304 STAINLESS	316 STAINLESS
6mm	NUTM6HA2	NUTM6HA4
8mm	NUTM8HA2	NUTM8HA4
10mm	NUTM10HA2	NUTM10HA4
12mm	NUTM12HA2	NUTM12HA4
14mm	NUTM14HA2	NUTM14HA4
16mm	NUTM16HA2	NUTM16HA4
20mm	NUTM20HA2	NUTM20HA4
24mm	NUTM24HA2	NUTM24HA4



NYLOC NUT				
Ø	ZINC	GALVANIZED	304 STAINLESS	316 STAINLESS
6mm	NUTM6NZ		NUTM6NA2	NUTM6NA4
8mm	NUTM8NZ	NUTM8NG	NUTM8NA2	NUTM8NA4
10mm	NUTM10NZ	NUTM10NG	NUTM10NA2	NUTM10NA4
12mm	NUTM12NZ	NUTM12NG	NUTM12NA2	NUTM12NA4
14mm	NUTM14NZ			NUTM14NA4
16mm	NUTM16NZ	NUTM16NG	NUTM16NA2	NUTM16NA4



COUPLING NUT				
Ø	ZINC	GALVANIZED	304 STAINLESS	316 STAINLESS
6mm	NUTM6CZ			NUTM6CA4
8mm	NUTM8CZ	NUTM8CG		NUTM8CA4
10mm	NUTM10CZ	NUTM10CG	NUTM10CA2	NUTM10CA4
12mm	NUTM12CZ	NUTM12CG	NUTM12CA2	NUTM12CA4
14mm	NUTM14CZ			
16mm	NUTM16CZ	NUTM16CG		NUTM16CA4
20mm	NUTM20CZ	NUTM20CG		NUTM20CA4



HALF LOCK NUT				
Ø	ZINC	GALVANIZED	304 STAINLESS	316 STAINLESS
3mm			NUTM3LA2	NUTM3LA4
4mm			NUTM4LA2	NUTM4LA4
5mm			NUTM5LA2	NUTM5LA4
6mm			NUTM6LA2	NUTM6LA4
8mm	NUTM8LZ	NUTM8LG	NUTM8LA2	NUTM8LA4
10mm	NUTM8LZ	NUTM10LG		NUTM10LA4
12mm	NUTM12LZ	NUTM12LG	NUTM12LA2	NUTM12LA4
14mm		NUTM14LG		NUTM14LA4
16mm	NUTM16LZ	NUTM16LG		NUTM16LA4
20mm	NUTM20LZ	NUTM20LG	NUTM20LA2	NUTM20LA4
22mm		NUTM22LG		NUTM22LA4
24mm		NUTM24LG		NUTM24LA4
27mm		NUTM27LG		NUTM27LA4
30mm		NUTM30LG		NUTM30LA4
36mm		NUTM36LG		NUTM36LA4
48mm		NUTM48LG		NUTM48LA4



SERRATED FLANGE			
Ø	YELLOW ZINC	316 STAINLESS	304 STAINLESS
4mm		NUTM4FSA4	NUTM4FSA2
5mm		NUTM5FSA4	NUTM5FSA2
6mm			NUTM6FSA2
8mm			NUTM8FSA2
10mm	NUTM10FSYZ	NUTM10FSA4	NUTM10FSA2
12mm	NUTM12FSYZ		
14mm	NUTM14FSYZ		
16mm	NUTM16FSYZ		
20mm	NUTM20FSYZ		



METRIC FLAT ROUND WASHERS - LIGHT			
Ø	ZINC	304 STAINLESS	316 STAINLESS
6mm	W6X12.5X1.2Z	W6X12.5X1.2A2	W6X12.5X1.2A4
6mm		W6X12.5X1.6A2	W6X12.5X1.6A4
6mm	W6X14X1.2Z		
6mm	W6X16X1.2Z	W6X16X1.2A2	W6X16X1.2A4
6mm	W6X16X1.6Z	W6X16X1.6A2	W6X16X1.6A4
6mm		W6X18X1.6A2	W6X18X1.6A4
6mm		W6X19X1.2A2	
6mm	W6X19X1.6Z	W6X19X1.6A2	W6X19X1.6A4
6mm		W6X20X1.5A2	W6X20X1.5A4
8mm	W8X16X1.2Z	W8X16X1.2A2	W8X16X1.2A4
8mm	W8X16X1.6Z	W8X16X1.6A2	W8X16X1.6A4
8mm		W8X17X1.2A2	W8X17X1.2A4
8mm	W8X17X1.6Z	W8X17X1.6A2	
8mm	W8X19X1.6Z	W8X19X1.6A2	W8X19X1.6A4
8mm	W8X21X1.6Z	W8X21X1.6A2	



METRIC FLAT ROUND WASHERS - LIGHT			
Ø	ZINC	304 STAINLESS	316 STAINLESS
10mm		W10X21X1.2A2	W10X21X1.2A4
10mm	W10X21X1.6Z		
10mm	W10X22X1.6Z	W10X22X1.6A2	W10X22X1.6A4
10mm	W10X24X1.6Z	W10X24X1.6A2	W10X24X1.6A4
12mm	W12X24X1.6Z	W12X24X1.6A2	W12X20X2A4
12mm			W12X24X1.6A4
12mm	W12X26X1.6Z		
12mm	W12X28.5X1.6Z	W12X28.5X1.6A2	W12X28.5X1.6A4
14mm	W14X32X1.6Z		W14X32X1.6A4
16mm	W16X30X1.6Z	W16X30X1.5A2	W16X30X1.5A4
16mm	W16X32X1.6Z	W16X32X1.6A2	W16X32X1.6A4
16mm	W16X34X1.6Z		W16X34X1.6A4



METRIC FLAT ROUND WASHERS - HEAVY					
Ø	BLACK	ZINC	GALVANIZED	304 STAINLESS	316 STAINLESS
6mm	W6X19X3	W6X19X3Z	W6X19X3G	W6X19X3A2	W6X19X3A4
8mm	W8X22X3	W8X22X3Z	W8X22X3G	W8X22X3A2	W8X22X3A4
10mm	W10X25X3	W10X25X3Z	W10X25X3G	W10X25X3A2	W10X25X3A4
10mm		W10X30X3Z	W10X30X3G		
10mm		W10X38X3Z			
10mm		W10X40X3Z			
10mm			W10X50X3G		
12mm	W12X28X3	W12X28X3Z	W12X28X3G		W12X28X3A4
12mm	W12X32X3	W12X32X3Z	W12X32X3G	W12X32X3A2	W12X32X3A4
12mm			W12X50X3G		W12X50X3A4
14mm	W14X32X3	W14X32X3Z			
16mm			W16X30X3G		
16mm	W16X34X3	W16X34X3Z	W16X34X3G	W16X34X3A2	W16X34X3A4
16mm	W16X38X3	W16X38X3Z	W16X38X3G	W16X38X3A2	W16X38X3A4
16mm			W16X50X3G		
18mm	W18X38X3	W18X38X3Z			W18X38X3A4



SPRING WASHERS				
Ø	ZINC	GALVANIZED	304 STAINLESS	316 STAINLESS
6mm	SW6Z		SW6A2	SW6A4
8mm	SW8Z	SW8G	SW8A2	SW8A4
10mm	SW10Z	SW10G	SW10A2	SW10A4
12mm	SW12Z	SW12G	SW12A2	SW12A4
14mm	SW14Z			SW14A4
16mm	SW16Z	SW16G	SW16A2	SW16A4
18mm	SW18Z			SW18A4
20mm	SW20Z	SW20G	SW20A2	SW20A4



SQUARE WASHERS 40mm		
Ø	GALVANIZED	316 STAINLESS
8mm	W8X40SQX3G	
10mm	W10X40SQx3G	W10X40SQX3A4
10mm	W10X40SQX6G	
12mm	W12X40SQX3G	W12X40SQX3A4
12mm	W12X40SQX6G	
16mm	W16X40SQx3G	
16mm	W16X40SQX6G	



SQUARE WASHERS 50mm				
Ø	BLACK	GALVANIZED	304 STAINLESS	316 STAINLESS
10mm	W10X50SQX3	W10X50SQX3G	W10X50SQX3A2	W10X50SQX3A4
10mm	W10X50SQX6	W10X50SQx6G		
12mm	W12X50SQX3	W12X50SQx3G	W12X50SQX3A2	W12X50SQX3A4
12mm		W12X50SQx6G		W12X50SQX6A4
12mm		W12X80SQX6G		
16mm		W16X50SQx3G	W16X50SQX3A2	W16X50SQX3A4
16mm				W16X50SQX4A4
16mm		W16X50SQx6G		W16X50SQX6A4
16mm		W16X60SQx6G		
16mm				W16X65SQX3A4
16mm		W16X80SQx6G		W16X80SQX6A4
16mm		W16X80SQX10G		

\*Custom sizes and thickness available on request

## 4.6 CUP HEAD COACH BOLT & NUT

### ZINC

Ø	M6	M8	M10	M12
20mm	CBN6X20Z	CBN8X20Z	CBN10X20Z	
25mm	CBN6X25Z	CBN8X25Z	CBN10X25Z	
30mm	CBN6X30Z	CBN8X30Z	CBN10X30Z	CBN12X30Z
35mm	CBN6X35Z		CBN10X35Z	CBN12X35Z
40mm	CBN6X40Z	CBN8X40Z	CBN10X40Z	CBN12X40Z
45mm	CBN6X45Z	CBN8X45Z	CBN10X45Z	
50mm	CBN6X50Z	CBN8X50Z	CBN10X50Z	CBN12X50Z
55mm	CBN6X55Z	CBN8X55Z	CBN10X55Z	
60mm	CBN6X60Z	CBN8X60Z	CBN10X60Z	CBN12X60Z
65mm	CBN6X65Z	CBN8X65Z	CBN10X65Z	CBN12X65Z
70mm	CBN6X70Z	CBN8X70Z	CBN10X70Z	CBN12X70Z
75mm	CBN6X75Z	CBN8X75Z	CBN10X75Z	CBN12X75Z
80mm	CBN6X80Z	CBN8X80Z	CBN10X80Z	CBN12X80Z
85mm		CBN8X85Z	CBN10X85Z	
90mm	CBN6X90Z	CBN8X90Z	CBN10X90Z	CBN12X90Z
100mm	CBN6X100Z	CBN8X100Z	CBN10X100Z	CBN12X100Z
110mm	CBN6X110Z	CBN8X110Z	CBN10X110Z	CBN12X110Z
120mm	CBN6X120Z	CBN8X120Z	CBN10X120Z	CBN12X120Z
130mm	CBN6X130Z	CBN8X130Z	CBN10X130Z	CBN12X130Z
140mm	CBN6X140Z	CBN8X140Z	CBN10X140Z	CBN12X140Z
150mm	CBN6X150Z	CBN8X150Z	CBN10X150Z	CBN12X150Z

## 4.6 CUP HEAD COACH BOLT & NUT

### GALVANIZED

Ø	M8	M10	M12	M16	M20
20mm	CBN8X20G	CBN10X20G			
25mm	CBN8X25G	CBN10X25G			
30mm	CBN8X30G	CBN10X30G	CBN12X30G		
35mm		CBN10X35G	CBN12X35G		
40mm	CBN8X40G	CBN10X40G	CBN12X40G		
45mm	CBN8X45G	CBN10X45G	CBN12X45G		
50mm	CBN8X50G	CBN10X50G	CBN12X50G	CBN16X50G	
55mm	CBN8X55G	CBN10X55G			
60mm	CBN8X60G	CBN10X60G	CBN12X60G	CBN16X60G	
65mm	CBN8X65G	CBN10X65G	CBN12X65G	CBN16X65G	CBN20X65G
70mm	CBN8X70G	CBN10X70G	CBN12X70G		
75mm	CBN8X75G	CBN10X75G	CBN12X75G	CBN16X75G	CBN20X75G
80mm	CBN8X80G	CBN10X80G	CBN12X80G	CBN16X80G	
85mm	CBN8X85G	CBN10X85G	CBN12X85G		
90mm	CBN8X90G	CBN10X90G	CBN12X90G	CBN16X90G	CBN20X90G
100mm	CBN8X100G	CBN10X100G	CBN12X100G	CBN16X100G	CBN20X100G
110mm	CBN8X110G	CBN10X110G	CBN12X110G	CBN16X110G	CBN20X110G
120mm	CBN8X120G	CBN10X120G	CBN12X120G	CBN16X120G	CBN20X120G
130mm	CBN8X130G	CBN10X130G	CBN12X130G	CBN16X130G	CBN20X130G
140mm	CBN8X140G	CBN10X140G	CBN12X140G	CBN16X140G	CBN20X140G
150mm	CBN8X150G	CBN10X150G	CBN12X150G	CBN16X150G	CBN20X150G
160mm	CBN8X160G	CBN10X160G	CBN12X160G	CBN16X160G	CBN20X160G
170mm		CBN10X170G	CBN12X170G	CBN16X170G	
180mm	CBN8X180G	CBN10X180G	CBN12X180G	CBN16X180G	CBN20X180G
190mm		CBN10X190G	CBN12X190G		
200mm	CBN8X200G	CBN10X200G	CBN12X200G	CBN16X200G	CBN20X200G
220mm		CBN10X220G	CBN12X220G	CBN16X220G	CBN20X220G
240mm		CBN10X240G	CBN12X240G	CBN16X240G	CBN20X240G
260mm		CBN10X260G	CBN12X260G	CBN16X260G	CBN20X260G
280mm		CBN10X280G	CBN12X280G	CBN16X280G	CBN20X280G
300mm		CBN10X300G	CBN12X300G	CBN16X300G	CBN20X300G
325mm			CBN12X325G		
350mm		CBN10X350G	CBN12X350G	CBN16X350G	CBN20X350G
375mm		CBN10X375G	CBN12X375G		
400mm			CBN12X400G	CBN16X400G	CBN20X400G
450mm			CBN12X450G	CBN16X450G	

**STAY COMPLIANT**  
**WITH FDG's C1 & C2 RATED**  
**SEISMIC ANCHORS**

Get in touch today for more info on 0800 555 464!





CUP HEAD COACH BOLT ONLY				
304 STAINLESS				
Ø	M6	M8	M10	M12
20mm	CBO6X20A2	CBO8X20A2		
25mm	CBO6X25A2	CBO8X25A2		
30mm	CBO6X30A2	CBO8X30A2		
40mm	CBO6X40A2	CBO8X40A2		CBO12X40A2
50mm	CBO6X50A2	CBO8X50A2	CBO10X50A2	CBO12X50A2
60mm		CBO8X60A2	CBO10X60A2	CBO12X60A2
70mm			CBO10X70A2	CBO12X70A2
75mm			CBO10X75A2	
80mm			CBO10X80A2	CBO12X80A2
90mm			CBO10X90A2	CBO12X90A2
100mm			CBO10X100A2	CBO12X100A2
110mm			CBO10X110A2	CBO12X110A2
120mm			CBO10X120A2	CBO12X120A2
130mm				CBO12X130A2
140mm				CBO12X140A2
150mm				CBO12X150A2

CUP HEAD COACH BOLT ONLY						
316 STAINLESS						
Ø	M5	M6	M8	M10	M12	M16
16mm	CBO5X16A4					
20mm		CBO6X20A4	CBO8X20A4			
25mm		CBO6X25A4	CBO8X25A4	CBO10X25A4		
30mm		CBO6X30A4	CBO8X30A4	CBO10X30A4		
40mm		CBO6X40A4	CBO8X40A4	CBO10X40A4	CBO12X40A4	
50mm	CBO5X50A4	CBO6X50A4	CBO8X50A4	CBO10X50A4	CBO12X50A4	
60mm		CBO6X60A4	CBO8X60A4	CBO10X60A4	CBO12X60A4	
70mm		CBO6X70A4	CBO8X70A4	CBO10X70A4	CBO12X70A4	
75mm				CBO10X75A4		
80mm	CBO5X80A4	CBO6X80A4	CBO8X80A4	CBO10X80A4	CBO12X80A4	CBO16X80A4
90mm			CBO8X90A4		CBO12X90A4	
100mm		CBO6X100A4	CBO8X100A4	CBO10X100A4	CBO12X100A4	CBO16X100A4
110mm			CBO8X110A4	CBO10X110A4	CBO12X110A4	
120mm				CBO10X120A4	CBO12X120A4	
130mm				CBO10X130A4	CBO12X130A4	CBO16X130A4
140mm				CBO10X140A4	CBO12X140A4	
150mm				CBO10X150A4	CBO12X150A4	CBO16X150A4
160mm				CBO10X160A4	CBO12X160A4	
180mm				CBO10X180A4	CBO12X180A4	CBO16X180A4
190mm					CBO12X190A4	
200mm					CBO12X200A4	CBO16X200A4
220mm					CBO12X220A4	CBO16X220A4
240mm					CBO12X240A4	CBO16X240A4
260mm					CBO12X260A4	CBO16X260A4
280mm					CBO12X280A4	
300mm					CBO12X300A4	CBO16X300A4
350mm					CBO12X350A4	CBO16X350A4
400mm					CBO12X400A4	CBO16X400A4
450mm					CBO12X450A4	CBO16X450A4



# HEX HEAD COACH SCREW



HEX HEAD COACH SCREW						
GALVANIZED						
Ø	M6	M8	M10	M12	M16	M20
25mm	CS6X25G					
30mm	CS6X30G	CS8X30G				
40mm	CS6X40G	CS8X40G	CS10X40G	CS12X40G		
50mm	CS6X50G	CS8X50G	CS10X50G	CS12X50G	CS16X50G	
65mm	CS6X65G	CS8X65G	CS10X65G	CS12X65G	CS16X65G	
75mm	CS6X75G	CS8X75G	CS10X75G	CS12X75G	CS16X75G	
90mm	CS6X90G	CS8X90G	CS10X90G	CS12X90G	CS16X90G	
100mm	CS6X100G	CS8X100G	CS10X100G	CS12X100G	CS16X100G	
120mm			CS10X120G	CS12X120G		
130mm		CS8X130G	CS10X130G	CS12X130G	CS16X130G	CS20X130G
150mm		CS8X150G	CS10X150G	CS12X150G	CS16X150G	CS20X150G
180mm			CS10X180G	CS12X180G	CS16X180G	CS20X180G
200mm			CS10X200G	CS12X200G	CS16X200G	CS20X200G
220mm				CS12X220G	CS16X220G	CS20X220G
240mm				CS12X240G	CS16X240G	CS20X240G
260mm				CS12X260G	CS16X260G	CS20X260G
280mm					CS16X280G	
300mm				CS12X300G	CS16X300G	CS20X300G
350mm				CS12X350G	CS16X350G	CS20X350G
400mm				CS12X400G	CS16X400G	CS20X400G

# HEX HEAD COACH SCREW



HEX HEAD COACH SCREW						
316 STAINLESS						
Ø	M6	M8	M10	M12	M16	M20
25mm	CS6X25A4	CS8X25A4				
30mm	CS6X30A4	CS8X30A4				
40mm	CS6X40A4	CS8X40A4	CS10X40A4	CS12X40A4		
50mm	CS6X50A4	CS8X50A4	CS10X50A4	CS12X50A4		
60mm	CS6X60A4	CS8X60A4	CS10X60A4	CS12X60A4		
65mm	CS6X65A4	CS8X65A4	CS10X65A4	CS12X65A4		
70mm	CS6X70A4	CS8X70A4	CS10X70A4	CS12X70A4		
75mm	CS6X75A4	CS8X75A4	CS10X75A4	CS12X75A4		
80mm	CS6X80A4	CS8X80A4	CS10X80A4	CS12X80A4	CS16X80A4	
90mm	CS6X90A4	CS8X90A4	CS10X90A4	CS12X90A4	CS16X90A4	
100mm	CS6X100A4	CS8X100A4	CS10X100A4	CS12X100A4	CS16X100A4	CS20X100A4
110mm		CS8X110A4		CS12X110A4		
120mm	CS6X120A4	CS8X120A4	CS10X120A4	CS12X120A4		CS20X120A4
130mm	CS6X130A4	CS8X130A4	CS10X130A4	CS12X130A4	CS16X130A4	
140mm		CS8X140A4	CS10X140A4	CS12X140A4		
150mm		CS8X150A4	CS10X150A4	CS12X150A4	CS16X150A4	
160mm		CS8X160A4	CS10X160A4	CS12X160A4		
180mm		CS8X180A4	CS10X180A4	CS12X180A4	CS16X180A4	
190mm					CS16X190A4	
200mm		CS8X200A4	CS10X200A4	CS12X200A4	CS16X200A4	CS20X200A4
220mm				CS12X220A4	CS16X220A4	
240mm				CS12X240A4	CS16X240A4	
250mm				CS12X250A4		CS20X250A4
260mm				CS12X260A4	CS16X260A4	
280mm				CS12X280A4	CS16X280A4	
300mm				CS12X300A4	CS16X300A4	CS20X300A4
350mm					CS16X350A4	



## **SCREWS**

TYPE 17 SCREWS	174
SELF DRILLING METAL SCREWS	175
SUREFIX SCREWS	177

**KEEPING BUSINESS'S  
MOVING & MAKING**

 [www.fdg.nz.com](http://www.fdg.nz.com)  
 [sales@fdg.nz.com](mailto:sales@fdg.nz.com)  
 0800 555 464



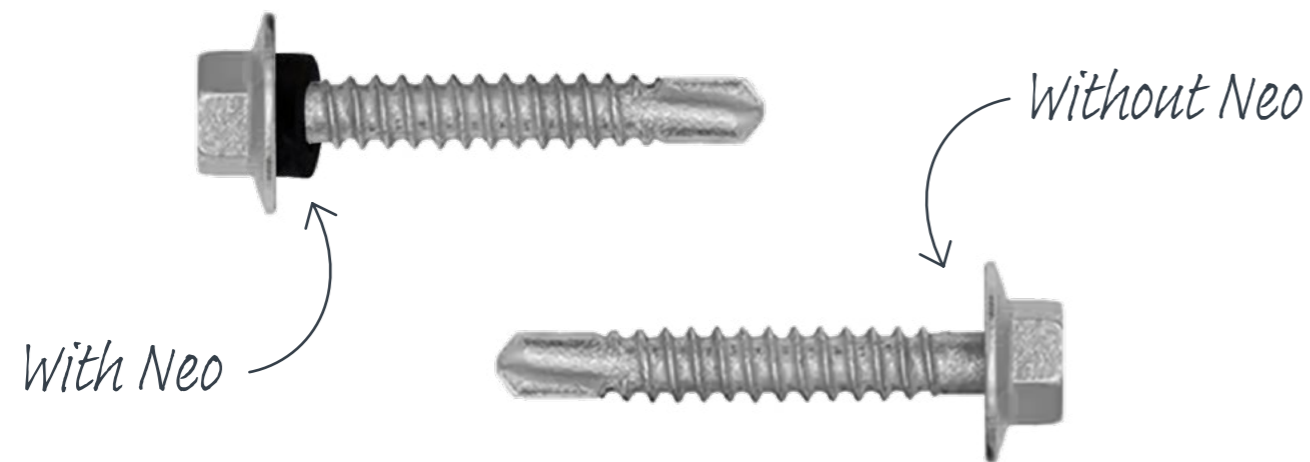
# TYPE 17 HWF SCREWS



TYPE 17 HWF SCREWS					
#	LENGTH	YELLOW ZINC	GALVANIZED		316 STAINLESS
		NO NEO	NO NEO	WITH NEO	NO NEO
10g	20mm	T1710-12X20HWFYZ	T1710-12X20HWFNG	T1710-12X20HWFNG	
10g	25mm	T1710-12X25HWFYZ	T1710-12X25HWFNG	T1710-12X25HWFNG	

12g	25mm	T1712-11X25HWFYZ	T1712-11X25HWFNG	T1712-11X25HWFNG	T1712-11X25HWFNG
12g	35mm	T1712-11X35HWFYZ	T1712-11X35HWFNG	T1712-11X35HWFNG	T1712-11X35HWFNG
12g	40mm	T1712-11X40HWFYZ	T1712-11X40HWFNG	T1712-11X40HWFNG	
12g	45mm	T1712-11X45HWFYZ	T1712-11X45HWFNG	T1712-11X45HWFNG	
12g	50mm	T1712-11X50HWFYZ	T1712-11X50HWFNG	T1712-11X50HWFNG	T1712-11X50HWFNG
12g	65mm	T1712-11X65HWFYZ	T1712-11X65HWFNG	T1712-11X65HWFNG	T1712-11X65HWFNG
12g	75mm		T1712-11X75HWFNG	T1712-11X75HWFNG	T1712-11X75HWFNG

14g	25mm		T1714-10X25HWFNG	T1714-10X25HWFNG	T1714-10X25HWFNG
14g	30mm		T1714-10X30HWFNG		
14g	35mm				T1714-10X35HWFNG
14g	50mm	T1714-10X50HWFYZ	T1714-10X50HWFNG	T1714-10X50HWFNG	T1714-10X50HWFNG
14g	65mm	T1714-10X65HWFYZ	T1714-10X65HWFNG	T1714-10X65HWFNG	T1714-10X65HWFNG
14g	75mm	T1714-10X75HWFYZ	T1714-10X75HWFNG	T1714-10X75HWFNG	T1714-10X75HWFNG
14g	90mm		T1714-10X90HWFNG	T1714-10X90HWFNG	T1714-10X90HWFNG
14g	100mm	T1714-10X100HWFYZ	T1714-10X100HWFNG	T1714-10X100HWFNG	T1714-10X100HWFNG
14g	115mm		T1714-10X115HWFNG	T1714-10X115HWFNG	
14g	125mm		T1714-10X125HWFNG	T1714-10X125HWFNG	T1714-10X125HWFNG
14g	150mm		T1714-10X150HWFNG	T1714-10X150HWFNG	T1714-10X150HWFNG
14g	200mm		T1714-10X200HWFNG	T1714-10X200HWFNG	
14g	250mm			T1714-10X250HWFNG	



# SELF DRILLING METAL HWF



SELF DRILLING METAL HWF						
#	LENGTH	YELLOW ZINC	GALVANIZED		410 STAINLESS	GALVANIZED
		NO NEO	NO NEO	WITH NEO	NO NEO	EXTEND POINT
8g	12mm	SDMHWF8-18X12YZ	SDMHWF8-18X12G	SDMHWF8-18X12NG	SDMHWF10-16X16SS	
8g	20mm	SDMHWF8-18X20YZ	SDMHWF8-18X20G	SDMHWF8-18X20NG		

10g	16mm	SDMHWF10-16X16YZ	SDMHWF10-16X16G	SDMHWF10-16X16NG		
10g	16mm	SDMHWF10-24X16YZ	SDMHWF10-24X16G	SDMHWF10-24X16NG		
10g	20mm	SDMHWF10-16X20YZ	SDMHWF10-16X20G	SDMHWF10-16X20NG		
10g	25mm	SDMHWF10-16X25YZ	SDMHWF10-16X25G	SDMHWF10-16X25NG		

12g	20mm	SDMHWF12-14X20YZ	SDMHWF12-14X20G	SDMHWF12-14X20NG		
12g	20mm	SDMHWF12-24X20YZ	SDMHWF12-24X20G	SDMHWF12-24X20NG		
12g	25mm	SDMHWF12-14X25YZ	SDMHWF12-14X25G	SDMHWF12-14X25NG	SDMHWF12-14X25SS	
12g	25mm		SDMHWF12-24X25G	SDMHWF12-24X25NG		
12g	30mm	SDMHWF12-14X30YZ	SDMHWF12-14X30G	SDMHWF12-14X30NG		
12g	35mm	SDMHWF12-14X35YZ	SDMHWF12-14X35G	SDMHWF12-14X35NG	SDMHWF12-14X35SS	SDMHWF12-24X32P5G
12g	35mm		SDMHWF12-24X35G	SDMHWF12-24X35NG		
12g	38mm				SDMHWF12-14X38SS	
12g	40mm				SDMHWF12-14X40SS	
12g	45mm	SDMHWF12-14X45YZ	SDMHWF12-14X45G	SDMHWF12-14X45NG	SDMHWF12-14X45SS	
12g	50mm			SDMHWF12-14X50NG	SDMHWF12-14X50SS	SDMHWF12-24X50P5G
12g	55mm	SDMHWF12-14X55YZ	SDMHWF12-14X55G	SDMHWF12-14X55NG		
12g	65mm	SDMHWF12-14X65YZ	SDMHWF12-14X65G	SDMHWF12-14X65NG	SDMHWF12-14X65SS	SDMHWF12-24X65P5G
12g	75mm	SDMHWF12-14X75YZ	SDMHWF12-14X75G	SDMHWF12-14X75NG	SDMHWF12-14X75SS	SDMHWF12-24X75P5G

14g	20mm		SDMHWF14-10X20G			
14g	22mm	SDMHWF14-10X20YZ	SDMHWF14-10X22G	SDMHWF14-10X22NG		
14g	22mm	SDMHWF14-10X22YZ	SDMHWF14-20X22G	SDMHWF14-20X22NG		
14g	25mm				SDMHWF14-14X25SS	
14g	32mm				SDMHWF14-14X32SS	
14g	38mm				SDMHWF14-14X38SS	
14g	40mm				SDMHWF14-14X40SS	
14g	42mm		SDMHWF14-10X42G	SDMHWF14-10X42NG		
14g	45mm				SDMHWF14-14X45SS	
14g	50mm		SDMHWF14-10X50G	SDMHWF14-10X50NG	SDMHWF14-14X50SS	
14g	65mm		SDMHWF14-10X65G	SDMHWF14-10X65NG	SDMHWF14-14X65SS	
14g	75mm		SDMHWF14-10X75G	SDMHWF14-10X75NG	SDMHWF14-14X75SS	
14g	90mm		SDMHWF14-10X90G	SDMHWF14-10X90NG	SDMHWF14-14X90SS	
14g	90mm		SDMHWF14-20X90G			



SELF DRILLING METAL HWF				
#	LENGTH	GALVANIZED		410 STAINLESS
		NO NEO	WITH NEO	NO NEO
14g	98mm		SDMHWF14-10X95NG	
14g	100mm		SDMHWF14-10X100NG	
14g	115mm	SDMHWF14-10X115G	SDMHWF14-10X115NG	
14g	115mm	SDMHWF14-20X115G	SDMHWF14-20X115NG	
14g	125mm		SDMHWF14-10X125NG	SDMHWF14-14X125SS
14g	135mm	SDMHWF14-10X135G	SDMHWF14-10X135NG	
14g	135mm	SDMHWF14-20X135G	SDMHWF14-20X135NG	
14g	150mm	SDMHWF14-10X150G	SDMHWF14-10X150NG	
14g	150mm	SDMHWF14-20X150G	SDMHWF14-20X150NG	
14g	200mm		SDMHWF14-14X200NG	
14g	200mm		SDMHWF14-20X200NG	
14g	250mm		SDMHWF14-14X250NG	



#	LENGTH	PAN HEAD SUREFIX	
		POZI DRIVE	SQUARE DRIVE
8g	1/2"	SFPPZ8X1/2YZ	SFPQ8X1/2YZ
8g	5/8"	SFPPZ8X5/8YZ	SFPQ8X5/8YZ
8g	3/4"	SFPPZ8X3/4YZ	SFPQ8X3/4YZ
8g	1"	SFPPZ8X1YZ	
8g	1-1/4"	SFPPZ8X1-1/4YZ	
8g	1-1/2"	SFPPZ8X1-1/2YZ	
8g	2"	SFPPZ8X2YZ	



#	LENGTH	COUNTERSUNK SUREFIX				
		YELLOW ZINC				GALVANIZED
		POZI DRIVE	MULTI DRIVE	SQUARE DRIVE	SQUARE DRIVE (FULL THREAD)	SQUARE DRIVE
6g	5/8"			SFCQ6X5/8YZ		
6g	3/4"			SFCQ6X3/4YZ		
6g	1"	SFCPZ6X1YZ		SFCQ6X1YZ		
6g	1-1/8"			SFCQ6X1-1/8YZ		
6g	1-1/4"			SFCQ6X1-1/4YZ		
6g	1-1/2"	SFCPZ6X1-1/2YZ		SFCQ6X1-1/2YZ		
6g	1-3/4"			SFCQ6X1-3/4YZ		
6g	2"			SFCQ6X2YZ		



8g	5/8"			SFCQ8X5/8YZ		
8g	3/4"	SFCPZ8X3/4YZ	SFCSKM8X3/4YZ	SFCQ8X3/4YZ		
8g	1"	SFCPZ8X1YZ	SFCSKM8X1YZ	SFCQ8X1YZ	SFCQ8X1FTYZ	SFCQ8X1G
8g	1-1/8"	SFCPZ8X1-1/8YZ		SFCQ8X1-1/8YZ	SFCQ8X1-1/8FTYZ	
8g	1-1/4"	SFCPZ8X1-1/4YZ	SFCSKM8X1-1/4YZ	SFCQ8X1-1/4YZ	SFCQ8X1-1/4FTYZ	SFCQ8X1-1/4G
8g	1-1/2"	SFCPZ8X1-1/2YZ	SFCSKM8X1-1/2YZ	SFCQ8X1-1/2YZ	SFCQ8X1-1/2FTYZ	SFCQ8X1-1/2G
8g	1-3/4"	SFCPZ8X1-3/4YZ	SFCSKM8X1-3/4YZ	SFCQ8X1-3/4YZ	SFCQ8X1-3/4FTYZ	SFCQ8X1-3/4G
8g	2"	SFCPZ8X2YZ	SFCSKM8X2YZ	SFCQ8X2YZ	SFCQ8X2FTYZ	SFCQ8X2G
8g	2-1/2"	SFCPZ8X2-1/2YZ	SFCSKM8X2-1/2YZ	SFCQ8X2-1/2YZ		
8g	3"		SFCSKM8X3YZ	SFCQ8X3YZ		



10g	2"			SFCQ10X2YZ		SFCQ10X2G
10g	2-1/2"	SFCPZ10X2-1/2YZ		SFCQ10X2-1/2YZ		SFCQ10X2-1/2G
10g	3"	SFCPZ10X3YZ		SFCQ10X3YZ		SFCQ10X3G
10g	4"	SFCPZ10X4YZ	SFCSKM10X4YZ	SFCQ10X4YZ		SFCQ10X4G



## SUREFIX SCREWS SQUARE DRIVE

#	LENGTH	CSK 304 STAINLESS					316 STAINLESS
		RIBBED	TYPE17 - RIBBED	RIBBED	TYPE17 - RIBBED	NON - RIBBED	TYPE17
8g	1/2"	SFCQ8X1/2A2					
8g	5/8"	SFCQ8X5/8A2					
8g	3/4"	SFCQ8X3/4A2	SFCQ8X3/4-T17RA2	SFCQ8x3/4-RA2	SFCQ8X3/4-T17A2	SFCQ8x3/4-NRA2	
8g	1"	SFCQ8X1A2	SFCQ8x1-T17RA2	SFCQ8x1-RA2	SFCQ8X1-T17A2	SFCQ8x1-NRA2	
8g	1-1/4"	SFCQ8X1-1/4A2	SFCQ8x1-1/4-T17RA2	SFCQ8x1-1/4-RA2	SFCQ8X1-1/4-T17A2	SFCQ8x1-1/4-NRA2	
8g	1-1/2"	SFCQ8X1-1/2A2	SFCQ8X1-1/2-T17RA2	SFCQ8x1-1/2-RA2	SFCQ8X1-1/2-T17A2	SFCQ8x1-1/2-NRA2	SFCQ8X1-1/2-T17A4
8g	1-3/4"	SFCQ8X1-3/4A2	SFCQ8x1-3/4-T17RA2	SFCQ8x1-3/4-RA2	SFCQ8X1-3/4-T17A2	SFCQ8x1-3/4-NRA2	
8g	2"	SFCQ8X2A2	SFCQ8X2-T17RA2	SFCQ8x2-RA2	SFCQ8X2-T17A2	SFCQ8x2-NRA2	SFCQ8X2-T17A4
8g	2-1/2"	SFCQ8X2-1/2A2	SFCQ8x2-1/2-T17RA2	SFCQ8x2-1/2-RA2	SFCQ8X2-1/2-T17A2	SFCQ8x2-1/2-NRA2	
8g	3"	SFCQ8X3A2					
10g	1"	SFCQ10X1A2					SFCQ10X1-T17A4
10g	1-1/4"	SFCQ10X1-1/4A2	SFCQ10x1-1/4-T17RA2	SFCQ10x1-1/4-RA2	SFCQ10X1-1/4-T17A2	SFCQ10x1-1/4-NRA2	SFCQ10X1-1/4-T17A4
10g	1-1/2"	SFCQ10X1-1/2A2	SFCQ10X1-1/2-T17RA2	SFCQ10x1-1/2-RA2	SFCQ10X1-1/2-T17A2	SFCQ10x1-1/2-NRA2	SFCQ10X1-1/2-T17A4
10g	1-3/4"	SFCQ10X1-3/4A2					
10g	2"	SFCQ10X2A2	SFCQ10X2-T17RA2	SFCQ10x2-RA2	SFCQ10X2-T17A2	SFCQ10x2-NRA2	
10g	2-1/2"	SFCQ10X2-1/2A2	SFCQ10x2-1/2-T17RA2	SFCQ10x2-1/2-RA2	SFCQ10X2-1/2-T17A2	SFCQ10x2-1/2-NRA2	
10g	3"	SFCQ10X3A2	SFCQ10x3-T17RA2	SFCQ10x3-RA2	SFCQ10X3-T17A2	SFCQ10x3-NRA2	
10g	3-1/2"	SFCQ10X3-1/2A2	SFCQ10x3-1/2-T17RA2		SFCQ10X3-1/2-T17A2		SFCQ10X3-1/2-T17A4
10g	4"	SFCQ10X4A2	SFCQ10X4-T17RA2	SFCQ10x4-RA2	SFCQ10X4-T17A2	SFCQ10x4-NRA2	





## **TOOLS & ACCESSORIES**

<b>DRILLS</b>	<b>182</b>
<b>HOLESAWS</b>	<b>185</b>
<b>CONCRETE DRILL BITS</b>	<b>186</b>
<b>DRIVER BITS</b>	<b>189</b>
<b>CRC &amp; ABRASIVES</b>	<b>192</b>
<b>BOSTIK</b>	<b>198</b>
<b>SABRE</b>	<b>199</b>

**KEEPING BUSINESS'S  
MOVING & MAKING**

 [www.fdg.nz.com](http://www.fdg.nz.com)  
 [sales@fdg.nz.com](mailto:sales@fdg.nz.com)  
 0800 555 464



Ø	GOLD	Ø	GOLD	Ø	GOLD	Ø	GOLD
0.3mm	TDJ0.3G	3.3mm	TDJ3.3G	6.5mm	TDJ6.5G	9.8mm	TDJ9.8G
0.4mm	TDJ0.4G	3.4mm	TDJ3.4G	6.6mm	TDJ6.6G	9.9mm	TDJ9.9G
0.5mm	TDJ0.5G	3.5mm	TDJ3.5G	6.7mm	TDJ6.7G	10mm	TDJ10.0G
0.58mm	TDJ0.58G	3.6mm	TDJ3.6G	6.8mm	TDJ6.8G	10.1mm	TDJ10.1G
0.6mm	TDJ0.6G	3.7mm	TDJ3.7G	6.9mm	TDJ6.9G	10.2mm	TDJ10.2G
0.7mm	TDJ0.7G	3.8mm	TDJ3.8G	7mm	TDJ7.0G	10.3mm	TDJ10.3G
0.8mm	TDJ0.8G	3.9mm	TDJ3.9G	7.1mm	TDJ7.1G	10.4mm	TDJ10.4G
0.9mm	TDJ0.9G	4mm	TDJ4.0G	7.2mm	TDJ7.2G	10.5mm	TDJ10.5G
1mm	TDJ1.0G	4.1mm	TDJ4.1G	7.3mm	TDJ7.3G	10.6mm	TDJ10.6G
1.1mm	TDJ1.1G	4.2mm	TDJ4.2G	7.4mm	TDJ7.4G	10.7mm	TDJ10.7G
1.2mm	TDJ1.2G	4.3mm	TDJ4.3G	7.5mm	TDJ7.5G	10.8mm	TDJ10.8G
1.3mm	TDJ1.3G	4.4mm	TDJ4.4G	7.6mm	TDJ7.6G	10.9mm	TDJ10.9G
1.4mm	TDJ1.4G	4.5mm	TDJ4.5G	7.7mm	TDJ7.7G	11mm	TDJ11.0G
1.5mm	TDJ1.5G	4.6mm	TDJ4.6G	7.8mm	TDJ7.8G	11.1mm	TDJ11.1G
1.6mm	TDJ1.6G	4.7mm	TDJ4.7G	7.9mm	TDJ7.9G	11.2mm	TDJ11.2G
1.7mm	TDJ1.7G	4.8mm	TDJ4.8G	8mm	TDJ8.0G	11.3mm	TDJ11.3G
1.8mm	TDJ1.8G	4.9mm	TDJ4.9G	8.1mm	TDJ8.1G	11.4mm	TDJ11.4G
1.9mm	TDJ1.9G	5mm	TDJ5.0G	8.2mm	TDJ8.2G	11.5mm	TDJ11.5G
2mm	TDJ2.0G	5.1mm	TDJ5.1G	8.3mm	TDJ8.3G	11.6mm	TDJ11.6G
2.1mm	TDJ2.1G	5.2mm	TDJ5.2G	8.4mm	TDJ8.4G	11.7mm	TDJ11.7G
2.2mm	TDJ2.2G	5.3mm	TDJ5.3G	8.5mm	TDJ8.5G	11.8mm	TDJ11.8G
2.25mm	TDJ2.25G	5.4mm	TDJ5.4G	8.6mm	TDJ8.6G	11.9mm	TDJ11.9G
2.3mm	TDJ2.3G	5.5mm	TDJ5.5G	8.7mm	TDJ8.7G	12mm	TDJ12.0G
2.4mm	TDJ2.4G	5.6mm	TDJ5.6G	8.8mm	TDJ8.8G	12.1mm	TDJ12.1G
2.5mm	TDJ2.5G	5.7mm	TDJ5.7G	8.9mm	TDJ8.9G	12.2mm	TDJ12.2G
2.6mm	TDJ2.6G	5.8mm	TDJ5.8G	9mm	TDJ9.0G	12.3mm	TDJ12.3G
2.7mm	TDJ2.7G	5.9mm	TDJ5.9G	9.1mm	TDJ9.1G	12.4mm	TDJ12.4G
2.75mm	TDJ2.75G	6mm	TDJ6.0G	9.2mm	TDJ9.2G	12.5mm	TDJ12.5G
2.8mm	TDJ2.8G	6.1mm	TDJ6.1G	9.3mm	TDJ9.3G	12.6mm	TDJ12.6G
2.9mm	TDJ2.9G	6.15mm	TDJ6.15G	9.4mm	TDJ9.4G	12.7mm	TDJ12.7G
3mm	TDJ3.0G	6.2mm	TDJ6.2G	9.5mm	TDJ9.5G	12.8mm	TDJ12.8G
3.1mm	TDJ3.1G	6.3mm	TDJ6.3G	9.6mm	TDJ9.6G	12.9mm	TDJ12.9G
3.2mm	TDJ3.2G	6.4mm	TDJ6.4G	9.7mm	TDJ9.7G	13mm	TDJ13.0G
						13.5mm	TDJ13.5G

ALPHA HEX SHANK	
Ø	GOLD
1.5mm	TDQ1.5
2mm	TDQ2.0
2.4mm	TDQ2.4
3mm	TDQ3.0
3.2mm	TDQ3.2
3.3mm	TDQ3.3
3.5mm	TDQ3.5
3.6mm	TDQ3.6
4mm	TDQ4.0
4.2mm	TDQ4.2
4.5mm	TDQ4.5
4.8mm	TDQ4.8
5mm	TDQ5.0
5.5mm	TDQ5.5
5.6mm	TDQ5.6
6mm	TDQ6.0
6.3mm	TDQ6.3
6.5mm	TDQ6.5

ALPHA DOUBLE END PANEL DRILL	
Ø	GOLD
No 11 - 4.85mm	TDDN11G
No 20 - 4.09mm	TDDN20G
No 30 - 3.26mm	TDDN30G

ALPHA STEP DRILL SPIRAL FLUTE	
Ø	GOLD
4-12mm	TD9STSF4-12S
4-20mm	TD9STSF4-20S
6-30mm	TD9STSF6-30S
6-36mm	TD9STSF6-36S





Ø x L	SHIPPER AUGER DRILL	Ø x L	SHIPPER AUGER DRILL
6mm x 200mm	TDWA6X200	22mm x 200mm	TDWA22X200
6mm x 450mm	TDWA6X450	22mm x 220mm	TDWA22X220
8mm x 200mm	TDWA8X200	22mm x 450mm	TDWA22X450
8mm x 450mm	TDWA8X450	22mm x 600mm	TDWA22X600
8mm x 600mm	TDWA8X600	24mm x 200mm	TDWA24X200
10mm x 200mm	TDWA10X200	24mm x 450mm	TDWA24X450
10mm x 250mm	TDWA10X250	24mm x 600mm	TDWA24X600
10mm x 450mm	TDWA10X450	25mm x 200mm	TDWA25X200
10mm x 600mm	TDWA10X600	25mm x 450mm	TDWA25X450
12mm x 200mm	TDWA12X200	25mm x 600mm	TDWA25X600
12mm x 450mm	TDWA12X450	26mm x 200mm	TDWA26X200
12mm x 600mm	TDWA12X600	26mm x 450mm	TDWA26X450
13mm x 290mm	TDWA13X290	26mm x 600mm	TDWA26X600
14mm x 200mm	TDWA14X200	28mm x 200mm	TDWA28X200
14mm x 460mm	TDWA14X460	28mm x 450mm	TDWA28X450
14mm x 600mm	TDWA14X600	28mm x 460mm	TDWA28X460
15mm x 200mm	TDWA15X200	28mm x 600mm	TDWA28X600
16mm x 450mm	TDWA16X450	30mm x 200mm	TDWA30X200
16mm x 600mm	TDWA16X600	30mm x 450mm	TDWA30X450
18mm x 200mm	TDWA18X200	30mm x 600mm	TDWA30X600
18mm x 450mm	TDWA18X450	32mm x 200mm	TDWA32X200
18mm x 600mm	TDWA18X600	32mm x 600mm	TDWA32X600
19mm x 200mm	TDWA19X200	34mm x 600mm	TDWA34X600
20mm x 200mm	TDWA20X200	35mm x 200mm	TDWA35X200
20mm x 450mm	TDWA20X450	36mm x 200mm	TDWA36X200
20mm x 600mm	TDWA20X600	36mm x 600mm	TDWA36X600
21mm x 210mm	TDWA21X210		

Ø	MULTI-PURPOSE	Ø	BI METAL	Ø	BI METAL
16mm	THSTCT16	14mm	THSV14	68mm	THSV68
20mm	THSTCT20	16mm	THSV16	70mm	THSV70
22mm	THSTCT22	17mm	THSV17	73mm	THSV73
25mm	THSTCT25	19mm	THSV19	75mm	THSV75
27mm	THSTCT27	20mm	THSV20	76mm	THSV76
30mm	THSTCT30	21mm	THSV21	79mm	THSV79
32mm	THSTCT32	22mm	THSV22	83mm	THSV83
35mm	THSTCT35	24mm	THSV24	86mm	THSV86
38mm	THSTCT38	25mm	THSV25	89mm	THSV89
40mm	THSTCT40	27mm	THSV27	92mm	THSV92
44mm	THSTCT44	29mm	THSV29	95mm	THSV95
45mm	THSTCT45	30mm	THSV30	98mm	THSV98
50mm	THSTCT50	32mm	THSV32	100mm	THSV100
51mm	THSTCT51	33mm	THSV33	102mm	THSV102
54mm	THSTCT54	35mm	THSV35	105mm	THSV105
55mm	THSTCT55	37mm	THSV37	108mm	THSV108
57mm	THSTCT57	38mm	THSV38	111mm	THSV111
60mm	THSTCT60	40mm	THSV40	114mm	THSV114
64mm	THSTCT64	41mm	THSV41	121mm	THSV121
67mm	THSTCT67	43mm	THSV43	127mm	THSV127
68mm	THSTCT68	44mm	THSV44	140mm	THSV140
70mm	THSTCT70	45mm	THSV45	146mm	THSV146
73mm	THSTCT73	46mm	THSV46	152mm	THSV152
76mm	THSTCT76	48mm	THSV48	160mm	THSV160
80mm	THSTCT80	52mm	THSV52	168mm	THSV168
82mm	THSTCT82	54mm	THSV54	177mm	THSV177
86mm	THSTCT86	55mm	THSV55	185mm	THSV185
89mm	THSTCT89	57mm	THSV57	200mm	THSV200
92mm	THSTCT92	59mm	THSV59	210mm	THSV210
102mm	THSTCT102	64mm	THSV64	250mm	THSV250
114mm	THSTCT114	67mm	THSV67		
125mm	THSTCT125				
140mm	THSTCT140				
152mm	THSTCT152				



**Come follow us!**



Keep in touch with **News, Job opportunities and Product Features** by following FDG on LinkedIn.

DESCRIPTION	DART 9 PIECE HOLE SAW KIT
Cutting Depth: 38mm Diameter (mm): 19, 22, 29, 38, 44, 51, 57mm	THDPHK9



SDS PLUS MASONRY DRILL BIT

Ø x L	MASONRY DRILL BIT	Ø x L	MASONRY DRILL BIT	Ø x L	MASONRY DRILL BIT
4mm x 110mm	TDMSP4X110	10mm x 110mm	TDMSP10X110	16mm x 160mm	TDMSP16X160
4mm x 160mm	TDMSP4X160	10mm x 160mm	TDMSP10X160	16mm x 210mm	TDMSP16X210
5mm x 110mm	TDMSP5X110	10mm x 210mm	TDMSP10X210	16mm x 260mm	TDMSP16X260
5mm x 160mm	TDMSP5X160	10mm x 260mm	TDMSP10X260	16mm x 310mm	TDMSP16X310
5mm x 210mm	TDMSP5X210	10mm x 310mm	TDMSP10X310	16mm x 450mm	TDMSP16X450
5.5mm x 110mm	TDMSP5.5X110	10mm x 350mm	TDMSP10X350	16mm x 600mm	TDMSP16X600
5.5mm x 160mm	TDMSP5.5X160	10mm x 450mm	TDMSP10X450	16mm x 800mm	TDMSP16X800
5.5mm x 210mm	TDMSP5.5X210	10mm x 600mm	TDMSP10X600	16mm x 1000mm	TDMSP16X1000
5.5mm x 310mm	TDMSP5.5X310	10mm x 1000mm	TDMSP10X1000	18mm x 200mm	TDMSP18X200
6mm x 110mm	TDMSP6X110	11mm x 260mm	TDMSP11X260	18mm x 300mm	TDMSP18X300
6mm x 160mm	TDMSP6X160	12mm x 160mm	TDMSP12X160	18mm x 450mm	TDMSP18X450
6mm x 210mm	TDMSP6X210	12mm x 210mm	TDMSP12X210	18mm x 600mm	TDMSP18X600
6mm x 310mm	TDMSP6X310	12mm x 260mm	TDMSP12X260	18mm x 1000mm	TDMSP18X1000
6mm x 460mm	TDMSP6X460	12mm x 310mm	TDMSP12X310	20mm x 200mm	TDMSP20X200
6.5mm x 110mm	TDMSP6.5X110	12mm x 360mm	TDMSP12X360	20mm x 300mm	TDMSP20X300
6.5mm x 160mm	TDMSP6.5X160	12mm x 450mm	TDMSP12X450	20mm x 450mm	TDMSP20X450
6.5mm x 210mm	TDMSP6.5X210	12mm x 600mm	TDMSP12X600	20mm x 600mm	TDMSP20X600
6.5mm x 260mm	TDMSP6.5X260	12mm x 1000mm	TDMSP12X1000	22mm x 250mm	TDMSP22X250
6.5mm x 310mm	TDMSP6.5X310	13mm x 160mm	TDMSP13X160	22mm x 450mm	TDMSP22X450
7mm x 160mm	TDMSP7X160	13mm x 210mm	TDMSP13X210	22mm x 600mm	TDMSP22X600
7mm x 250mm	TDMSP7X250	13mm x 310mm	TDMSP13X310	23mm x 450mm	TDMSP23X450
7mm x 450mm	TDMSP7X450	13mm x 450mm	TDMSP13X450	24mm x 250mm	TDMSP24X250
8mm x 110mm	TDMSP8X110	13mm x 600mm	TDMSP13X600	24mm x 450mm	TDMSP24X450
8mm x 160mm	TDMSP8X160	14mm x 260mm	TDMSP14X260	25mm x 250mm	TDMSP25X250
8mm x 210mm	TDMSP8X210	14mm x 310mm	TDMSP14X310	25mm x 450mm	TDMSP25X450
8mm x 260mm	TDMSP8X260	14mm x 450mm	TDMSP14X450	25mm x 600mm	TDMSP25X600
8mm x 310mm	TDMSP8X310	14mm x 600mm	TDMSP14X600	26mm x 250mm	TDMSP26X250
8mm x 460mm	TDMSP8X460	14 mm x 1000mm	TDMSP14X1000	26mm x 450mm	TDMSP26X450
8mm x 600mm	TDMSP8X600	15mm x 260mm	TDMSP15X260		
9mm x 210mm	TDMSP9X210	15mm x 450mm	TDMSP15X450		

SDS PLUS ZENTRO DRILL BIT

Ø x L	4 CUTTER	Ø x L	4 CUTTER
5mm x 110mm	TDMSPZ5X110	14mm x 260mm	TDMSPZ14X260
5mm x 160mm	TDMSPZ5X160	14mm x 450mm	TDMSPZ14X450
5.5mm x 110mm	TDMSPZ5.5X110	16mm x 260mm	TDMSPZ16X260
5.5mm x 160mm	TDMSPZ5.5X160	16mm x 450mm	TDMSPZ16X450
6mm x 110mm	TDMSPZ6x110	18mm x 250mm	TDMSPZ18X250
6mm x 160mm	TDMSPZ6X160	18mm x 450mm	TDMSPZ18X450
6mm x 210mm	TDMSPZ6X210	20mm x 250mm	TDMSPZ20X250
6.5mm x 110mm	TDMSPZ6.5X110	20mm x 450mm	TDMSPZ20X450
6.5mm x 160mm	TDMSPZ6.5X160	22mm x 250mm	TDMSPZ22X250
6.5mm x 210mm	TDMSPZ6.5X210	22mm x 450mm	TDMSPZ22X450
8mm x 160mm	TDMSPZ8X160	24mm x 250mm	TDMSPZ24X250
8mm x 210mm	TDMSPZ8X210	24mm x 450mm	TDMSPZ24X450
10mm x 160mm	TDMSPZ10X160	25mm x 250mm	TDMSPZ25X250
10mm x 210mm	TDMSPZ10X210	25mm x 450mm	TDMSPZ25X450
10mm x 260mm	TDMSPZ10X260	28mm x 250mm	TDMSPZ28X250
12mm x 160mm	TDMSPZ12X160	28mm x 450mm	TDMSPZ28X450
12mm x 210mm	TDMSPZ12X210	30mm x 250mm	TDMSPZ30X250
12mm x 260mm	TDMSPZ12X260	30mm x 450mm	TDMSPZ30X450
12mm x 310mm	TDMSPZ12X310	32mm x 450mm	TDMSPZ32X450
12mm x 450mm	TDMSPZ12X450		



SDS MAX MASONRY DRILL BIT			
Ø x L	4 CUTTER	Ø x L	4 CUTTER
12mm x 340mm	TDMSPM12X340	25mm x 920mm	TDMSPM25X920
12mm x 540mm	TDMSPM12X540	26mm x 300mm	TDMSPM26X300
14mm x 340mm	TDMSPM14X340	26mm x 520mm	TDMSPM26X520
14mm x 540mm	TDMSPM14X540	28mm x 370mm	TDMSPM28X370
14mm x 920mm	TDMSPM14X920	28mm x 570mm	TDMSPM28X570
15mm x 340mm	TDMSPM15X340	28mm x 920mm	TDMSPM28X920
15mm x 540mm	TDMSPM15X540	30mm x 370mm	TDMSPM30X370
16mm x 340mm	TDMSPM16X340	30mm x 570mm	TDMSPM30X570
16mm x 540mm	TDMSPM16X540	32mm x 370mm	TDMSPM32X370
16mm x 920mm	TDMSPM16X920	32mm x 570mm	TDMSPM32X570
18mm x 340mm	TDMSPM18X340	32mm x 920mm	TDMSPM32X920
18mm x 540mm	TDMSPM18X540	35mm x 570mm	TDMSPM35X570
18mm x 920mm	TDMSPM18X920	35mm x 920mm	TDMSPM35X920
20mm x 320mm	TDMSPM20X320	37mm x 570mm	TDMSPM37X570
20mm x 520mm	TDMSPM20X520	38mm x 370mm	TDMSPM38X370
20mm x 920mm	TDMSPM20X920	38mm x 570mm	TDMSPM38X570
22mm x 320mm	TDMSPM22X320	40mm x 370mm	TDMSPM40X370
22mm x 520mm	TDMSPM22X520	40mm x 570mm	TDMSPM40X570
22mm x 920mm	TDMSPM22X920	40mm x 920mm	TDMSPM40X920
24mm x 320mm	TDMSPM24X320	45mm x 570mm	TDMSPM45X570
24mm x 520mm	TDMSPM24X520	50mm x 570mm	TDMSPM50X570
25mm x 320mm	TDMSPM25X320	52mm x 570mm	TDMSPM52X570
25mm x 520mm	TDMSPM25X520		

DRIVERS S SERIES		
#	LENGTH	SQUARE
0	50mm	TDBSQ050S
0	89mm	TDBSQ089S
1	25mm	TDBSQ125S
1	50mm	TDBSQ150S
1	75mm	TDBSQ175S
1	90mm	TDBSQ190S
1	100mm	TDBSQ1100S
1	150mm	TDBSQ1150S
2	25mm	TDBSQ225S
2	50mm	TDBSQ250S
2	75mm	TDBSQ275S
2	90mm	TDBSQ290S
2	100mm	TDBSQ2100S
2	132mm	TDBSQ2132S
2	150mm	TDBSQ2150S
3	25mm	TDBSQ325S
3	50mm	TDBSQ350S
3	75mm	TDBSQ375S
3	100mm	TDBSQ3100S
3	150mm	TDBSQ3150S

DRIVERS S SERIES		
#	LENGTH	POZI
1	25mm	TDBPZ125S
1	50mm	TDBPZ150S
1	75mm	TDBPZ175S
1	150mm	TDBPZ1150S
2	25mm	TDBPZ225S
2	50mm	TDBPZ250S
2	75mm	TDBPZ275S
2	89mm	TDBPZ289S
2	120mm	TDBPZ2120S
2	150mm	TDBPZ2150S
3	25mm	TDBPZ325S
3	50mm	TDBPZ350S
3	75mm	TDBPZ375S
3	89mm	TDBPZ389S

DRIVERS S SERIES		
#	LENGTH	PHILLIPS
0	75mm	TDBPH075S
1	25mm	TDBPH125S
1	50mm	TDBPH150S
1	75mm	TDBPH175S
1	92mm	TDBPH192S
1	100mm	TDBPH1100S
1	150mm	TDBPH1150S
2	25mm	TDBPH225S
2	50mm	TDBPH250S
2	65mm	TDBPH265S
2	75mm	TDBPH275S
2	92mm	TDBPH292S
2	100mm	TDBPH2100S
2	150mm	TDBPH2150S
2	200mm	TDBPH2200S
2	250mm	TDBPH2250S
3	25mm	TDBSQ325S
3	50mm	TDBPH350S
3	75mm	TDBPH375S
3	100mm	TDBPH3100S
3	150mm	TDBPH3150S

DRIVERS S SERIES					
#	LENGTH	SLOT	#	LENGTH	TORX
3	50mm	TDBSL350S	20	50mm	TDBT 2050S
5	50mm	TDBSL550S	20	75mm	TDBT 2075S
5	75mm	TDBSL575S	25	50mm	TDBT 2550S
6	50mm	TDBSL650S	25	75mm	TDBT 2575S
8	50mm	TDBSL850S	30	50mm	TDBT 3050S
			30	75mm	TDBT 3075S
			30	100mm	TDBT 30100S

**CUTTING TIPS GUIDE ON MASONRY DRILLS**

SDS PLUS & OTHER MASONRY DRILLS

ZENTRO & MAX DRILLS





DRIVERS THUNDERZONE								
#	LENGTH	SQUARE	#	LENGTH	PHILLIPS	#	LENGTH	POZI
1	50mm	TDBSQ150SS	1	25mm	TDBCPH125SS	1	50mm	TDBPH150SS
2	25mm	TDBSQ225SS	1	50mm	TDBCPH150SS	2	25mm	TDBPH225SS
2	50mm	TDBSQ250SS	2	25mm	TDBCPH225SS	2	50mm	TDBPH250SS
2	75mm	TDBSQ275SS	2	50mm	TDBCPH250SS	2	75mm	TDBPH275SS
2	90mm	TDBSQ290SS	2	100mm	TDBCPH2100SS	2	100mm	TDBPH2100SS
2	100mm	TDBSQ2100SS	2	150mm	TDBCPH2150SS	2	150mm	TDBPH2150SS
2	150mm	TDBSQ2150SS	3	50mm	TDBCPH350SS			



DOUBLE ENDED BIT								
#	LENGTH	PHILLIPS	#	LENGTH	POZI	#	LENGTH	PHILLIPS + SLOT
1	45mm	TDBPH145D	1	65mm	TDBPZ165D	1	65mm	TDBPH1SL445D
1	75mm	TDBPH175D	2	45mm	TDBPZ245D	2	45mm	TDBPH2SL645D
2	45mm	TDBPH245D	2	65mm	TDBPZ265D	2	65mm	TDBPH2SL665D
2	65mm	TDBPH265D	2	75mm	TDBPZ275D	2	75mm	TDBPH2SL860D
2	75mm	TDBPH275D						
2	100mm	TDBPH2100D						
2	150mm	TDBPH2150D						
2	300mm	TDBPH2300D						
2	400mm	TDBPH2400D						



DOUBLE ENDED BIT					
#	LENGTH	PHILLIPS + SQUARE	#	LENGTH	POZI + SLOT
2	50mm	TDBPH2SQ250D	2	50mm	TDBPZ2SQ250D
2	89mm	TDBPH2SQ289D	2	89mm	TDBPZ2SQ289D



MAGNETIC BIT HOLDER					
DRIVER	LENGTH	MAGNETIC BIT HOLDER	DRIVER	LENGTH	MAG BIT HOLDER SS
1/4"	54mm	TDBMBHC54	1/4"	54mm	TDBMBHCS54
1/4"	75mm	TDBMBHC75	1/4"	75mm	TDBMBHCS75
1/4"	150mm	TDBMBHC150			
1/4"	300mm	TDBMBHC300			



MAGNETIC NUTSETTER					
HEX SIZE	LENGTH	METRIC	HEX SIZE	LENGTH	IMPERIAL
7mm	65mm	TBDNS765A	1/4"	42mm	TBDNS1442A
8mm	65mm	TBDNS865A	1/4"	65mm	TBDNS1465A
10mm	65mm	TBDNS1065A	1/4"	100mm	TBDNS14100A
12mm	55mm	TBDNS1255A	5/16"	42mm	TBDNS1642A
13mm	55mm	TBDNS1355A	5/16"	65mm	TBDNS51665A
			5/16"	100mm	TBDNS16100A
			5/16"	150mm	TBDNS16150A
			5/16"	200mm	TBDNS516200A
			5/16"	300mm	TBDNS516300A
			3/8"	42mm	TBDNS3842A
			3/8"	65mm	TBDNS3865A
			3/8"	150mm	TBDNS38150A
			7/16"	65mm	TBDNS71665A
			9/16"	65mm	TBDNS91665A



HEX BITS					
HEX SIZE	LENGTH	HEX DRIVER	HEX SIZE	LENGTH	MAX DRIVE TORSION
2.5mm	25mm	TDBHEX2525S	4mm	50mm	TDHEX450ST
2.5mm	50mm	TDBHEX2550S	5mm	30mm	TDHEX530ST
3mm	30mm	TDBHEX330S	5mm	50mm	TDHEX550ST
3mm	50mm	TDBHEX350S	6mm	50mm	TDHEX650ST
4mm	30mm	TDBHEX430S			
4mm	50mm	TDBHEX450S			
5mm	30mm	TDBHEX530S			
5mm	50mm	TDBHEX550S			
5mm	75mm	TDBHEX575S			
5mm	100mm	TDBHEX5100S			
5mm	150mm	TDBHEX5150S			
6mm	32mm	TDBHEX632S			
6mm	60mm	TDBHEX660S			
8mm	32mm	TDBHEX832S			
10mm	32mm	TDBHEX1032S			



CRC Coloured Zinc's unique formulation combines superior rust inhibiting properties of zinc with a tough but flexible enamel coating. The coloured satin finish comes in recognised safety colours which resists undercutting and blistering from corrosion by forming an effective corrosion barrier. MPI Approved C23.

**CRC BLACK ZINC AEROSOL**

CODE	SIZE	PACK QTY
048000056	400ml	6

Recommended as a top coat for added corrosion control, on fabricated metals, engine parts, starter motors, radiators and much more. Coloured zincs are quick drying, primer less topcoats, reinforced with zinc complex.



**CRC CLEAR ZINC AEROSOL**

CODE	SIZE	PACK QTY
048000614	400ml	6

CRC Clear Zinc's advanced protective coating technology protects surfaces from chemical, environmental and ultraviolet damage preventing rust, oxidation, corrosion, staining, and fading, for up to 27 months. CRC Clear Zinc is an easy to use, long lasting, high performance protective clear coating that can be applied to almost any surface.



**CRC ZINC IT AEROSOL**

CODE	SIZE	PACK QTY
048000497	350g	6

Easy to apply, CRC ZINC IT is a single component zinc rich compound with a special epoxy binder and contains 93% of the highest purity zinc in the dried film, to give galvanic rust prevention. This galvanic rust protection offers the same advantages as hot-dip galvanizing.



**CRC BRIGHT ZINC AEROSOL**

CODE	SIZE	PACK QTY
048000070	400ml	6

Quick dry coating that combines rust inhibiting properties of Zinc with a flexible enamel coating. CRC Bright Zinc provides a gloss top-coat finish but unlike standard paint systems, resists undercutting and blistering from corrosion. It is ideal for touch-up and repair of damaged galvanised surfaces and effective long-term rust protection with the bright look of a newly galvanised surface.



**CRC SILICONE AEROSOL 808**

CODE	SIZE	PACK QTY
048000018	500mls	6

CRC 808 Silicone is a multi-purpose silicone spray for general lubrication. It leaves a thin, clear, odourless film that lubricates, waterproofs and revives without damaging treated surfaces or leaving stains. CRC 808 Silicone eliminates squeaking and binding caused by friction and is ideal for use on metals, plastics, rubber, fabrics, wood, glass, and painted surfaces.



**CRC CDT CUTTING OIL AEROSOL**

CODE	SIZE	PACK QTY
048000085	400ml	6

CRC CDT Cutting compounds are superior neat cutting, drilling tapping, and reaming lubricants, formulated for hand and machine cutting on all types of metal. They significantly reduce friction and wear, increase cutting speeds, protect and extend tool life, and ensure consistent, high quality surface finish. Recommended for metal cutting operations, drilling, tapping, reaming and general workshop applications.



CRC Industrial Food Grade products have been developed to conform with the highest standards of relevant food authorities, including MPI, NZ AsureQuality and NSF International. CRC Industries follows strict guidelines in all areas of research, development and production, making CRC Food Grade range The Professional's Choice.

**CRC SILICONE AEROSOL 5.56**

CODE	SIZE	PACK QTY
04800005	550mls	6



CRC 5.56 forms a thin film that lubricates moving parts for smooth action and silences annoying squeaks and squeals. Superior penetrating power breaks through rust and corrosion, loosens rusted parts, displaces water from wet equipment and cleans away scale and dirt. It protects metals from corrosion caused by humidity, salt air and other corrosive atmospheres.

**CRC AEROSOL BRAKLEEN**

CODE	SIZE	PACK QTY
04800062	600gm	6



CRC Brakleen Brake and Parts Cleaner formulated to quickly and safely remove brake fluid, grease, oil and other contaminant from brake linings, pads, drums and callipers. Recommended for the cleaning and effective removal of grease and oil from mechanical brake linings, drums, brake shoes, disc brake pads, discs, wedge brakes, springs, callipers, clutches, clutch discs, chains, wire ropes, dies, moulds, parts and bearings.

**CRC PAINT MARKER PEN**

CODE	COLOUR	PACK QTY
048000358	BLACK	6
048000359	BLUE	6
048000360	GOLD	6
048000361	GREEN	6
048000362	ORANGE	6
048000363	RED	6
048000364	SILVER	6
048000365	WHITE	6
048000366	YELLOW	6



CRC Paint Marker Pen uses solvent based paint formula for durable marking on multiple surfaces in all weather conditions. It shows excellent coverage and is an ideal product for every toolbox. Fast drying and can be used on Wood, metal, concrete, stone, bricks, rubber, glass, textile, paper, enamel, plastic, cardboard, some tiles, etc.

**CRC COMPLETE RANGE AVAILABLE**



The Maxabrase range of cutting and grinding discs are made to perform when cutting and grinding mild-steel and stainless steel. Tested under European testing criteria and manufactured to meet EN 12413 Standards you can have confidence when using Maxabrase discs for your next job. Long lasting, with a fibreglass backing, these are a must have for your tool kit.

GOLD SERIES CUTTING DISCS

CODE	SIZE	MAX RPM	PACK QTY
036503065	75 x 1.0mm	20,370	25
036503064	100 x 1.0mm	15,300	25
036503063	115 x 1.0mm	13,300	25
036503062	115 x 1.6mm	13,300	25
036503061	125 x 1.0mm	12,250	25
036503060	125 x 1.6mm	12,250	25
036503086	125 x 2.5mm	12,250	25
036503058	180 x 1.6mm	8,500	25
036503057	180 x 2.5mm	8,500	25
036503056	230 x 1.9mm	6,650	25



- High quality Stainless steel grade cutting discs.
- Lower machine load extends tool life.
- Narrow cutting joints.
- Stainless steel and general metal cutting.
- Xtra Life, Xtra Balance, OSA Approved.



Made in Europe

SILVER SERIES CUTTING DISCS

CODE	SIZE	MAX RPM	PACK QTY
036503055	100 x 1.0mm	15,300	50
036503054	100 x 2.4mm	15,300	50
036503053	115 x 1.0mm	13,300	50
036503050	125 x 1.0mm	12,250	50
036503048	125 x 1.6mm	12,250	50
036503059	125 x 2.5mm	12,250	50
036503092	180 x 2.0mm	8,500	25
036503045	230 x 2.0mm	6,650	25
036503044	230 x 2.4mm	6,650	25
036503043	300 x 4.0mm	6,400	10
036503042	355 x 2.8mm	4,350	10
036503041	400 x 4.0mm	4,800	5



Made in Europe

- Excellent quality Stainless Steel grade cutting disc.
- MPA tested in Hanover Germany.
- Manufactured to EN12413 Standards.
- Well balanced discs.

SILVER SERIES GRINDING DISCS

CODE	SIZE	MAX RPM	PACK QTY
036503093	100 x 6.0mm	15,300	10
036502947	115 x 6.0mm	13,300	10
036502946	125 x 6.0mm	12,250	10
036502945	180 x 6.0mm	8,500	10
036503094	230 x 6.0mm	6,650	10

- High Quality industrial grade grinding discs.
- MPA Tested in Hannover Germany.
- Manufactured to EN12413 Standards.
- Depressed centre, suitable for all general purpose grinding.
- Well balanced and long lasting.



SILVER SERIES FLAP DISCS

CODE	SIZE	GRIT	MAX RPM	PACK QTY
036503018	100mm	Z40	15,300	10
036503017	100mm	Z60	15,300	10
036503016	100mm	Z80	15,300	10
036503019	100mm	Z120	15,300	10
036503014	115mm	Z40	13,300	10
036503013	115mm	Z60	13,300	10
036503012	115mm	Z80	13,300	10
036503015	115mm	Z120	13,300	10
036503010	125mm	Z40	12,250	10
036503009	125mm	Z60	12,250	10
036503008	125mm	Z80	12,250	10
036503011	125mm	Z120	12,250	10
036503006	178mm	Z40	8,500	10
036503005	178mm	Z60	8,500	10
036503004	178mm	Z80	8,500	10
036503007	178mm	Z120	8,500	10

- The ultimate performer on mild steel and stainless steel.
- Up to 15% more abrasive than other brands.
- Type 29 (15%) style with built-in grinding angle.
- Strong fibreglass backing wears as disc is consumed.





BOSTIK MS SAFE CLEAR PAINTABLE

CODE	COLOUR	SIZE	PACK QTY
048200008	BLACK	300ml Cartridge	12
048200009	WHITE	300ml Cartridge	12
048200010	GREY	300ml Cartridge	12
048200014	BLACK	600ml Sausage	12
048200015	WHITE	600ml Sausage	12
048200016	GREY	600ml Sausage	12



Bostik MS Safe Seal is a multipurpose odour free, isocyanate free & solvent free sealant for construction & building. Safe Seal is fully paintable according to DIN 52452, PT4.

Recommended Uses:

- Sealing expansion joints
- Sealing in general construction
- Sealing most building materials

SABRE DUCT SEAL

CODE	COLOUR	SIZE	PACK QTY
02001589	Grey	300ml	20

Sabre Duct Seal is a solvent-free, water-based adhesive and sealant. It is designed specifically for sealing high-velocity sheet metal ductwork in ventilation and heating systems.

Recommended Uses:

- High-velocity ducting
- Ventilation grills/jointing
- General HVAC ducting
- Roofing joints



BOSTIK FR DUCT SEALER FAST DRY GREY

CODE	COLOUR	SIZE	PACK QTY
CSBADS-FC-317G	GREY	375ml Cartridge	20



Bostik FR Duct sealer is a non-slump, fast drying adhesive/sealer. Once fully dried FR Duct Sealer remains fully flexible performing over a wide temperature range on both internal and external surfaces.

Key Features:

- Good adhesion to wide range of substrates
- Fast drying
- Non slump
- Flexible
- Paintable

SABRE NEUTRAL CLEAR SILICONE

CODE	COLOUR	SIZE	PACK QTY
CSNScart	Clear	300ml	20

Sabre Neutral Clear Silicone sealant adheres to a wide range of porous and non-porous surfaces without the need for priming. It is suitable for use in weather sealing and glazing applications on most common construction substrates and has high UV and weathering resistance.

Recommended Uses:

- Roofing and plumbing seals
- Soft metals
- General glazing sealing
- Window frames
- Waterproofing
- Glass and aluminium
- Precast formwork
- Plastic trims and components
- Pool fittings





# ***AUTHORISED DISTRIBUTOR OF MILWAUKEE***





## **TECHNICAL DATA**

IMPERIAL/METRIC TABLE	204
DIN TABLE	206
TENSILE TABLE	207
PRODUCT IMAGE CHART	208

**KEEPING BUSINESS'S  
MOVING & MAKING**

 [www.fdg.nz](http://www.fdg.nz)  
 [sales@fdg.nz](mailto:sales@fdg.nz)  
 0800 555 464

METRIC - APPROX	METRIC - PRECISE	SCREW GAUGE	STANDARD WIRE GAUGE	SHEET GAUGE	RIVET NO. (DIAMETER)	INCH - DECIMAL	INCH - FRACTION	DRILLS USED FOR RIVETS
1	0.996			20		0.039		
1.2	1.22		18			0.048		
1.2	1.257			18		0.050		
1.6	1.587			16		0.0625	1/16	
1.6	1.63		16			0.064		
1.8	1.83		15			0.072		
2	1.994			14		0.079		
2	2.03		14			0.080		
2.4	2.381				3	0.0938	3/32	
2.5	2.517			12		0.099		
2.7	2.743	4				0.108		
3	3.099	5				0.122		
3.2	3.175			10	4	0.125	1/8	
	3.264					0.129		30
3.5	3.454	6				0.136		
3.8	3.81	7				0.150		
4	3.968				5	0.156	5/32	
	4.089					0.161		20
4.2	4.166	8				0.164		
	4.521	9				0.178		
4.8	4.762				6	0.187	3/16	
4.8	4.826	10				0.190		
	4.851					0.191		11
5.6	5.588	12				0.220		
6.3	6.299	14				0.248		
6.4	6.35				8	0.250	1/4	
	6.807	16				0.268		
	7.722	18				0.304		
8	7.937				10	0.312	5/16	
9.5	9.525				12	0.375	3/8	
11	11.11					0.4375	7/16	
12 or 13	12.7					0.500	1/2	
14	14.29					0.562	9/16	
16	15.88					0.625	5/8	
19 or 20	19.05					0.750	3/4	
22	22.23					0.875	7/8	
25	25.4					1.000	1"	
28	28.575					1.125	1 - 1/8	
32	31.75					1.250	1 - 1/4	
38	38.1					1.500	1 - 1/2	
45	44.45					1.750	1 - 3/4	
50	50.8					2.0	2"	
63	63.5					2.5	2 - 1/2	
75	76.2					3.0	3"	
100	101.6					4.0	4"	
115	114.3					4.5	4 - 1/2	
125	127.0					5.0	5"	
150	152.4					6.0	6"	

**Notes on gauges:**

There are different gauge series for Screws, for sheet-metal, for Wire, for Rivets and for Drill Bits. There is no correlation between them. For Screws, the gauge is the major diameter of the thread. For Washers, it is the thickness of the metal (sheet gauge). For Nails, Brads, and Staples, it is the wire size (SWG) from which the item was formed.

A/F	THREAD DIAMETER AND PITCH TABLE													
	METRIC COARSE	METRIC THREADS				IMPERIAL THREADS - PITCH IN THREADS PER INCH (TPI)								
		PITCH IN mm PER THREAD			MAJOR DIAMETER	UNIFIED (AMERICAN)				BRITISH				
BOLT HEADS	SIZE	ISO COARSE	FINE	EXTRA FINE		mm	INCH	SIZE	UNC	UNF	UNS	UN8	BSW	BSF
	3.2	M1.6	0.35	0.2		1.524	0.060	# 0		80				
						1.600	0.063							
						1.854	0.073	# 1		72				
	4	M2	0.4	0.25		2.000	0.079	# 2	56	64				
						2.184	0.086							
	5	M2.5	0.45			2.500	0.098	# 3	48	56				
						2.515	0.099	# 4	40	48				
						2.845	0.112							
	5.5	M3	0.5	0.35		3.000	0.118							
						3.175	0.125	1/8" = # 5	40	44			40	
	6	M3.5	0.6	0.35		3.500	0.138	# 6	32	40				
						3.969	0.156	5/32"					32	
	7	M4	0.7	0.5		4.000	0.157							
						4.166	0.164	# 8	32	36				
						4.762	0.188	3/16"					24	32
						4.826	0.190	# 10	24	32				
	8	M5	0.8	0.5		5.000	0.197							
	10	M6	1	0.75		6.000	0.236							
						6.350	0.250	1/4"	20	28			20	26
	11	M7	1			7.000	0.276							
						7.938	0.313	5/16"	18	24			18	22
	13	M8	1.25	1	0.75	8.000	0.315							
		M9	1.25			9.000	0.354							
						9.525	0.375	3/8"	16	24			16	20
	16	M10	1.5	1.25	1	10.000	0.394							
						11.112	0.438	7/16"	14	20			14	18
	18	M12	1.75	1.5	1.25	12.000	0.472							
						12.700	0.500	1/2"	13	20			12	16
	21	M14	2	1.5	1.25	14.000	0.551							
						14.288	0.563	9/16"	12	18				
						15.875	0.625	5/8"	11	18			11	14
	24	M16	2	1.5	1	16.000	0.630							
	27	M18	2.5	2	1.5	18.000	0.709							
						19.050	0.750	3/4"	10	16			10	12
	30	M20	2.5	2	1.5	20.000	0.787							
	33	M22	2.5	2	1.5	22.000	0.866							
						22.225	0.875	7/8"	9	14			9	11
	36	M24	3	2	1.5	24.000	0.945							
						25.400	1.000	1"	8	12	14		8	10
	41	M27	3	2	1.5	27.000	1.063							
						28.575	1.125	1-1/8"	7	12			8	7
	46	M30	3.5	3	2	30.000	1.181							
						31.750	1.125	1-1/4"	7	12			8	7
	50	M33	3.5	3	2	33.000	1.299							
						34.925	1.375	1-3/8"	6	12			8	6
	55	M36	4	3	2	36.000	1.417							
						38.100	1.500	1-1/2"	6	12			8	6
	60	M39	4			39.000	1.535							
						41.275	1.625	1-5/8"	5-1/2	12			8	
	65	M42	4.5	4	3	42.000	1.653							
						44.450	1.750	1-3/4"	5	12			8	5
						47.625	1.875	1-7/8"					8	
	75	M48	5	4	3	48.000	1.890							
						50.800	2.000	2"	4-1/2	12			8	4-1/2
	85	M56	5.5			56.000	2.205							
						63.500	2.500	2-1/2"					8	
	95	M64	6			64.000	2.520							
						69.850	2.750	2-3/4"					8	
	105	M72	6			72.000	2.835							
						76.200	3.000	3"					8	
						82.550	3.250	3-1/4"					8	
						88.900	3.500	3-1/2"					8	
						101.600	4.000	4"					8	

Other A/F sizes may be used for JIS/Automotive, DIN, Metric Fine, and HSPG bolts.

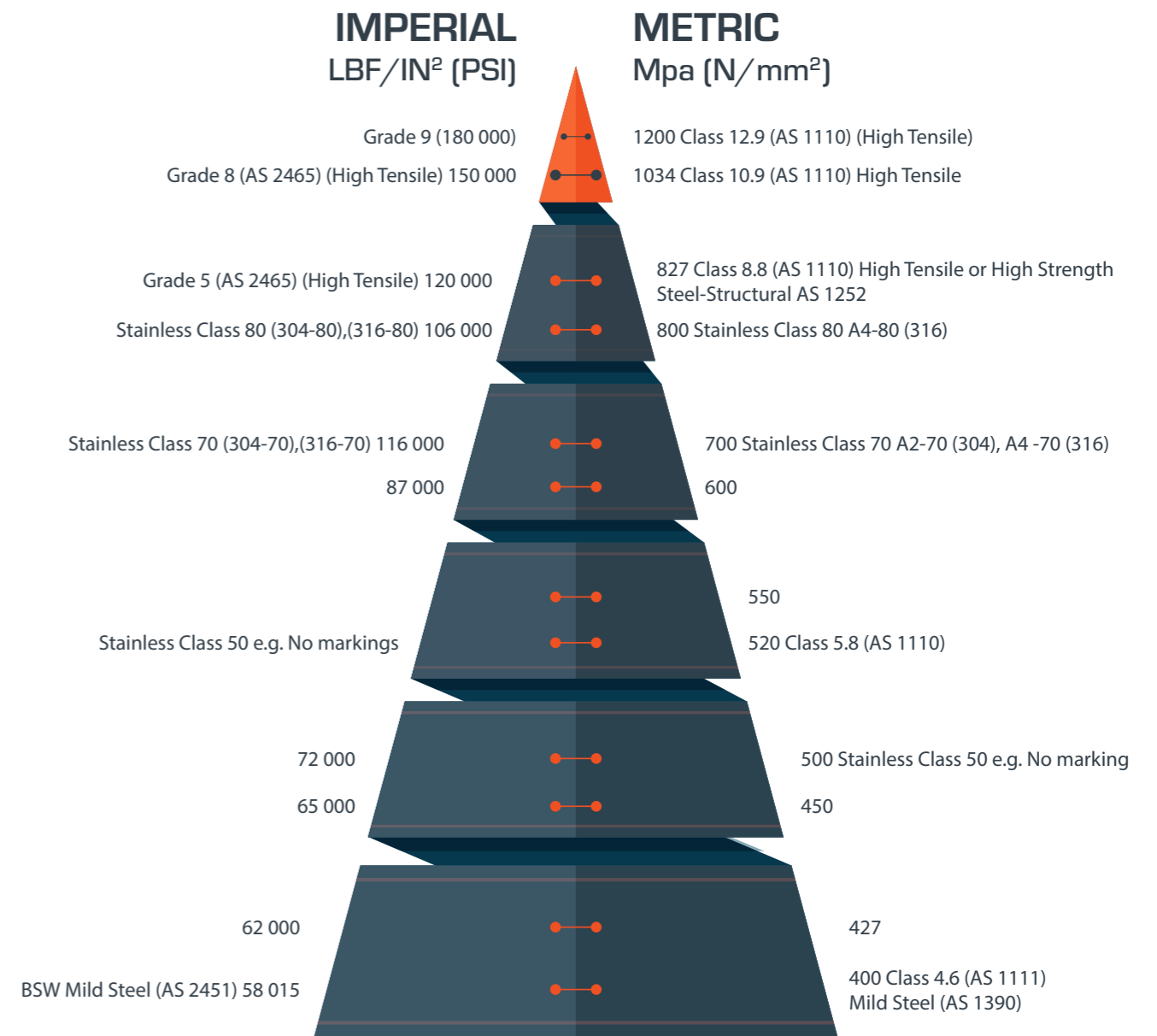
Note: Other threads not on this table are BSP, NPT, BA, BSB, CONDUIT, ACME.

[BACK TO CONTENTS](#)

DIN 1	TAPER PIN	DIN 582	LIFTING EYE NUTS	DIN 71752G	CLEVISSES	DIN 931	HEX HEAD BOLTS (PARTIALLY THREADED)
DIN 125A	FLAT WASHERS	DIN 603	CARRIAGE BOLTS	DIN 7343	STANDARD COILED PIN	DIN 933	HEX HEAD BOLTS (FULLY THREADED)
DIN 127B	SPRING LOCK WASHERS	DIN 609	HEX SHOULDER BOLT LONG THREAD	DIN 7349	HEAVY WASHERS	DIN 934	HEX NUTS
DIN 137B	WAVE WASHERS	DIN 6325	DOWEL PINS	DIN 7500	HEX HEAD THREAD FORMING SCREW	DIN 934L	HEX NUTS LEFT HAND THREAD
DIN 1440	FLAT WASHER FOR CLEVIS PIN	DIN 6331	COUPLING NUTS	DIN 7603	ALUMINIUM SEALING RING	DIN 934L	HEX NUTS LEFT HAND THREAD
DIN 1479	TURNBUCKLE NUTS	DIN 6340	WASHERS FOR CLAMPING DEVICE	DIN 7976C	SELF TAPPING HEX HEAD TAPPING SCREW	DIN 934MF	HEX NUTS
DIN 1481	SPRING PIN	DIN 6796	SERRATED LOCK WASHERS	DIN 7978A	TAPER PIN w/INTERNAL THREAD	DIN 936	HEX NUT LOW
DIN 1587	DOMED HEX NUT	DIN 6797A	LOCK WASHERS TOOTH	DIN 7979	PULL DOWEL PINS	DIN 936MF	HEX NUT LOW (FINE THREAD)
DIN 175	DRILL ROD	DIN 6797I	WASHERS	DIN 7980	COIL SPRING LOCK WASHERS	DIN 938	STUDS
DIN 2093A	SPRING DISCS	DIN 6797J	LOCK WASHERS TOOTH	DIN 7984	LOW HEAD SOCKET HEAD CAP SCREW	DIN 939	STUDS
DIN 315	WING NUT	DIN 6798	SERRATED LOCK WASHERS	DIN 7985	PHILIPS PAN HEAD MACHINE SCREW	DIN 94	COTTER PINS
DIN 316	WING SCREW	DIN 6798A	SERRATED LOCK WASHERS EXT TOOTH	DIN 7991	FLAT SOCKET HEAD CAP SCREW	DIN 960	HEX BOLTS FINE THREAD (PARTIALLY THREADED)
DIN 433	FLAT WASHERS REDUCED O.D.	DIN 6799	RETAINING WASHER	DIN 7993A	SNAP RING (FOR SHAFTS)	DIN 961	HEX BOLTS FINE THREAD (FULLY THREADED)
DIN 434	TAPER WASHERS 8%	DIN 6880	KEY STOCK	DIN 8140	AMECOIL	DIN 963	MACHINE SCREW FLAT HEAD SLOTTED
DIN 436	SQUARE WASHERS	DIN 6885	KEY STOCK ROUND END	DIN 84A	ROUND HEAD SLOT CHEESE HEAD MACHINE SCREW	DIN 965	MACHINE SCREW FLAT HEAD PHILIPS
DIN 439	HEX THIN (JAM) NUTS	DIN 6888	WOODRUF KEY	DIN 85A	ROUND HEAD SLOTTED PAN HEAD MACHINE SCREW	DIN 975	THREADED RODS
DIN 439MF	HEX THIN (JAM) NUTS FINE THREAD	DIN 6912	LOW HEAD SOCKET HEAD CAP SCREW	DIN 9021	WASHERS (FENDER)	DIN 975MF	THREADED RODS FINE THREADED
DIN 470	EXPANSION PLUG	DIN 6914	HEX BOLT	DIN 911	HEX (ALLAN) KEY	DIN 980V	LOCK NUT
DIN 471	RETAINING RINGS EXTERNAL	DIN 6915	NUT	DIN 912	SOCKET HEAD CAP SCREW	DIN 981	BEARING NUTS
DIN 472	RETAINING RINGS INTERNAL	DIN 6916	FLAT WASHERS	DIN 912	SOCKET HEAD CAP SCREW FULL THREAD	DIN 985	HEX LOCK NUTS
DIN 479	SQUARE HEAD SET SCREW	DIN 6921	HEX FLANGE BOLT	DIN 912MF	SOCKET HEAD CAP SCREW	DIN 985MF	HEX LOCK NUTS (FINE THREAD)
DIN 508	T SLOT NUTS	DIN 6923	SERRATED FLANGE HEX NUT	DIN 913	SOCKET SET SCREW FLAT POINT	DIN 988	RING
DIN 5406	BEARING WASHERS	DIN 6923MF	SERRATED FLANGE HEX NUT FINE THREAD	DIN 914	SOCKET SET SCREW CONE POINT	ISO 7379	SHOULDER SOCKET BOLTS
DIN 553	SET SCREW CONE POINT	DIN 6926	FLANGE NYLON INSERT LOCK NUT	DIN 915	SOCKET SET SCREW DOG POINT	ISO 7380	SOCKET BUTTON HEAD SCREW
DIN 557	SQUARE NUT	DIN 7	DOWEL PIN	DIN 916	SOCKET SET SCREW CUP POINT	JIS B1189	HEX HEAD FLANGE BOLT
DIN 571	HEX HEAD WOOD SCREW	DIN 71412	GREASE FITTINGS	DIN 916MF	SOCKET SET SCREW CUP POINT		
DIN 580	LIFTING EYE BOLTS	DIN 71752ES	CLEVISSES	DIN 929	WELD NUT		

## Compare Tensile Strengths of Steel Grade and Class

- ▶ Imperial system uses Class
- ▶ Metric system uses Grades



Conversion Factor 1000 PSI (lbf/in<sup>2</sup>) = 6.8948 MPa  
1 Mpa = 145.038 PSI(lbf/in<sup>2</sup>)

Information on this flyer is in good faith and no responsibility is taken for its accuracy. Please refer confirmation re technical certification/questions to your Qualified Engineers.



# PRODUCT IMAGE CHART

HEX HEAD BOLTS & NUTS	HEX HEAD BOLTS	SET SCREWS	PLOW BOLTS	SERRATED FLANGE BOLTS
COACH BOLTS & NUTS	COACH BOLTS ONLY	COACH SCREWS	HSFG BOLTS, NUTS & WASHERS	HSFG NUTS
HSFG WASHERS	THREADED RODS	HEX NUTS	CONELock NUTS	SERRATED FLANGED CONELock NUTS
FLANGED CONELock NUTS	NYLOC NUTS	NYLOC HALF NUTS	NYLOC DOME NUTS	NYLOC FLANGE NUTS
LOCK NUT HALF NUTS	LOCK NUTS	DOMe NUTS	SHEAR NUTS	CLINCH NUTS
CASTLE NUTS	WING NUTS	JOINT CONNECTOR CAP	SERRATED FLANGED NUTS	FLANGED NUTS
FLANGED INSERT NUTS	UNFLANGED INSERT NUTS	COUPLING NUTS	SPRING NUTS	WELD NUTS
BARREL NUTS	TEE NUTS	CAGE NUTS	SOCKET HEAD CAP SCREWS	LOW HEAD SOCKET CAP SCREWS

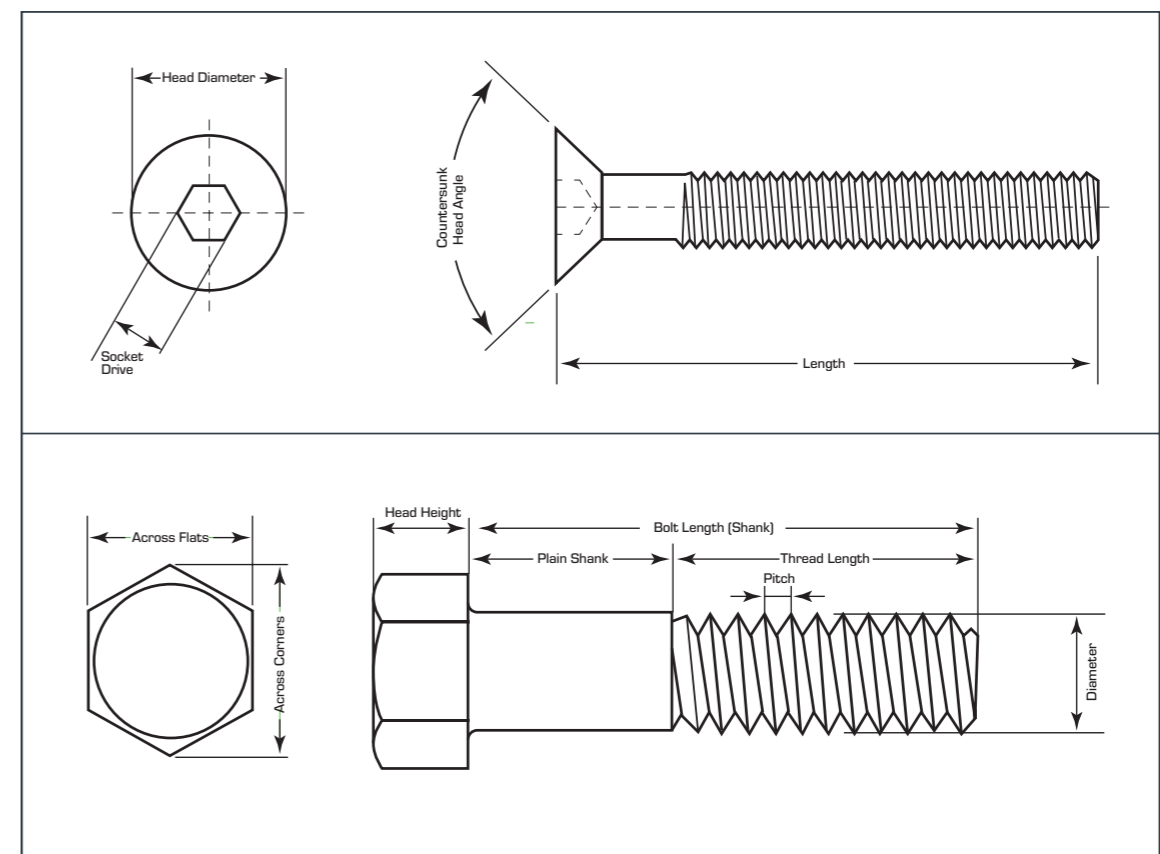
# PRODUCT IMAGE CHART



SHOULDER SOCKET CAP SCREWS	BUtTON HEAD SOCKET SCREWS	COUNTERSUNK SOCKET SCREWS	TAPER SOCKET PRESSURE PLUG	ALLEN WRENCHS
ALPHA TORX ALLEN KEY	SOCKET HEAD GRUB SCREWS	KNURLED SOCKET GRUB SCREWS	CONE POINT SOCKET GRUB SCREWS	T17 HWF WITHOUT NEO
T17 HWF WITH NEO	T17 BUGLE HEAD HEX DRIVE 5MM	T17 WAFER HEAD	SELF DRILLING HWF WITHOUT NEO	SELF DRILLING HWF WITH NEO
SELF DRILLING HWF	SELF DRILLING HWF EXT POINT NO.5	SELF DRILLING CSK SELF EMBEDDING	SELF DRILLING PAN HEAD	SELF DRILLING RIBBED CSK WINGED
SELF DRILLING CSK WINGED	SELF DRILLING BUtTON HEAD	SELF DRILLING CSK HEAD	SELF DRILLING CSK WINGTEK	SELF DRILLING CSK WINGTEK CL2
SELF DRILLING WAFER HEAD	SELF TAPPING PAN HEAD	SELF TAPPING T17 PAN HEAD	SELF TAPPING MUSHROOM HEAD	SELF TAPPING CSK HEAD
SELF TAPPING T17 CSK HEAD	SELF TAPPING TRUNCATED CSK HEAD	SELF TAPPING TYPE B CSK HEAD	SELF TAPPING BUtTON HEAD SECURITY	SELF TAPPING TWINFASt CSK HEAD
SUREFIX PAN HEAD	SUREFIX CSK HEAD	SUREFIX TWINFASt FULL THREAD CSK HEAD	SUREFIX T17 RIBBED CSK	SUREFIX RIBBED CSK

SUREFIX T17 UNRIBBED CSK	SUREFIX UNRIBBED CSK	JOINT CONNECTOR BOLT 15MM PAN	WING SCREW	WOOD SCREW CSK HEAD
GUTTER BOLT & NUT MUSHROOM HEAD	HAMMER DRIVE TYPE U	MACHINE PAN HEAD	MACHINE CSK HEAD	MACHINE SLOT ROUND HEAD
TRUCK DECK CSK HEAD	SLOT HANDLE MUSH WASHER HEAD	FLAT ROUND WASHERS	FENDER WASHERS	HEAVY WASHERS
SQUARE WASHERS	HARDENED WASHERS	TAPER WASHERS	HSFG WASHERS	SPRING WASHERS
NEOPRENE WASHER	STAR LOCK WASHERS	RED FIBRE WASHERS	NYLON WASHERS	NORDLOCK WASHERS
TOOTHLOCK WASHERS	SERRATED EXTERNAL WASHERS	CUP WASHERS	WEDGE ANCHORS	CHEM SET SETTING STUD
O HOOKS	C HOOKS	SLEEVE ANCHOR WITH HEX NUTS	CSK HEAD PHILLIPS	FLUSH HEAD WITH BOLTS
FLANGE HEX HEAD SCREW BOLTS	CSK HEAD SCREW BOLT	EYE BOLT SCREW ANCHOR	HOLLO BOLT	HOLLO BOLT FLUSH FIT

DROP - IN ANCHOR LIPPED	DROP - IN ANCHOR UNLIPPED	DROP-IN SETTING TOOL	CONCRETE CSK HEAD SCREWS	CONCRETE HEX HEAD SCREWS
METAL PIN MUSHROOM HEAD	NAIL-IN CSK HEAD	NAIL-IN MUSHROOM HEAD	NAIL-IN ROUND HEAD	SPLIT DRIVE MUSHROOM HEAD
SPLIT DRIVE CSK HEAD	HOLLOW WALL ANCHORS	WALL PLUG	WALL PLUG	WALL PLUG
CONCRETE VERTIGO SEISMIC INTERNAL THREAD	SDM VERTIGO INTERNAL THREAD	T17 VERTIGO INTERNAL HANGERS	VERTICAL HANGER DRIVER	T17 VERTIGO SIDE HOLE



**Note:** Length of countersunk products is measured overall, including the head. Length of non-countersunk products is measured from the underside bearing face of the head.



Lined writing area on the left page.



Lined writing area on the right page.

