

STRUT

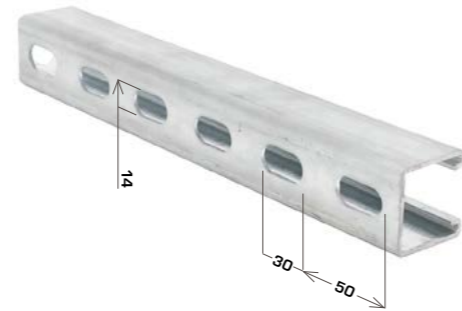
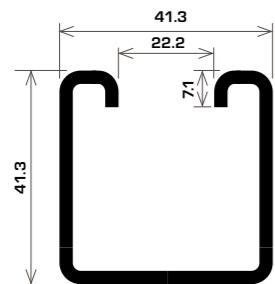
CHANNEL	10
STRUT NUTS	15
CANTILEVER BRACKETS	17
BASE PLATES	18
STRUT BRACKETS	20
BEAM CLAMPS	35
TROLLEYS	38
STRUT COVERS & END CAPS	40

**KEEPING BUSINESS'S
MOVING & MAKING**

 www.fdg.nz.com
 sales@fdg.nz.com
 0800 555 464

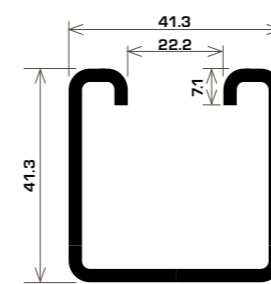
SLOTTED STRUT 41 X 41 X 2.5 X 6

CODE	FINISH	SIZE MM	LENGTH
FDG1000TP	Pre-Galv	41 x 41 x 2.5	6m
FDG1000TG	HDG	41 x 41 x 2.5	6m
FDG1000TSS	Stainless	41 x 41 x 2.5	6m
FDG1000TB	Black	41 x 41 x 2.5	6m



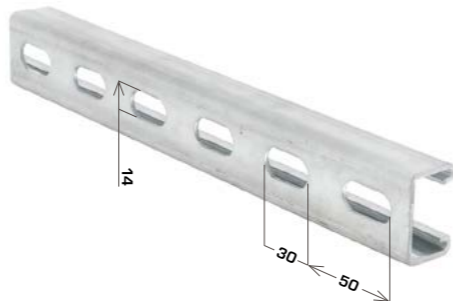
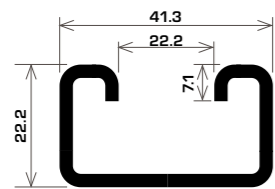
SOLID STRUT 41 X 41 X 2.5 X 6

CODE	FINISH	SIZE MM	LENGTH
FDG1000P	Pre-Galv	41 x 41 x 2.5	6m
FDG1000G	HDG	41 x 41 x 2.5	6m
FDG1000SS	Stainless	41 x 41 x 2.5	6m
FDG1000B	Black	41 x 41 x 2.5	6m



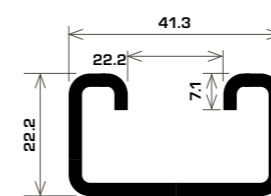
SLOTTED STRUT 41 X 21 X 2.5 X 6

CODE	FINISH	SIZE MM	LENGTH
FDG3000TP	Pre-Galv	41 x 21 x 2.5	6m
FDG3000TG	HDG	41 x 21 x 2.5	6m
FDG3000TSS	Stainless	41 x 21 x 2.5	6m



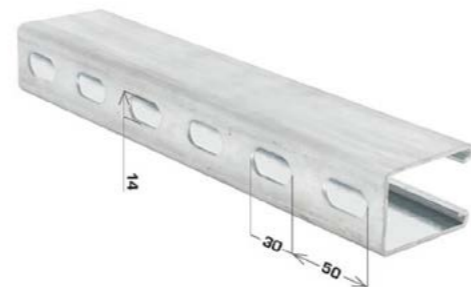
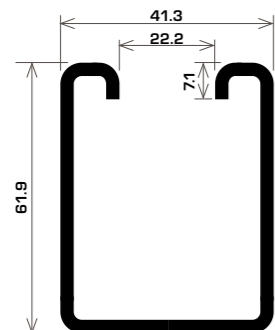
SOLID STRUT 41 X 21 X 2.5 X 6

CODE	FINISH	SIZE MM	LENGTH
FDG3000P	Pre-Galv	41 x 21 x 2.5	6m
FDG3000G	HDG	41 x 21 x 2.5	6m
FDG3000SS	Stainless	41 x 21 x 2.5	6m



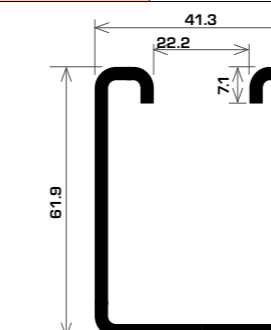
SLOTTED STRUT 41 X 61 X 2.5 X 6

CODE	FINISH	SIZE MM	LENGTH
FDG5000TP	Pre-Galv	41 x 61 x 2.5	6m
FDG5000TG	HDG	41 x 61 x 2.5	6m
FDG5000TSS	Stainless	41 x 61 x 2.5	6m



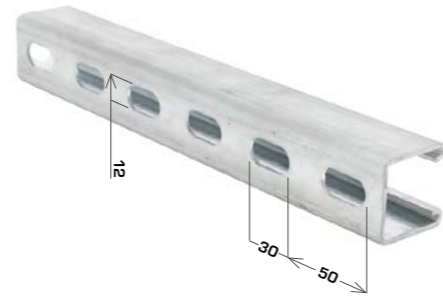
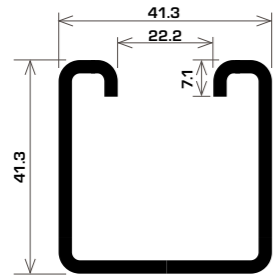
SOLID STRUT 41 X 61 X 2.5 X 6

CODE	FINISH	SIZE MM	LENGTH
FDG5000P	Pre-Galv	41 x 61 x 2.5	6m
FDG5000G	HDG	41 x 61 x 2.5	6m
FDG5000SS	Stainless	41 x 61 x 2.5	6m



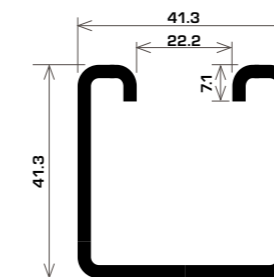
SLOTTED STRUT 41 X 41 X 2.5 X 3

CODE	FINISH	SIZE MM	LENGTH
FDG1000TP-3M	Pre-Galv	41 x 41 x 2.5	3m
FDG1000TG-3M	HDG	41 x 41 x 2.5	3m
FDG1000TSS-3M	Stainless	41 x 41 x 2.5	3m



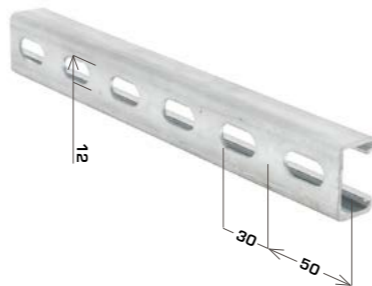
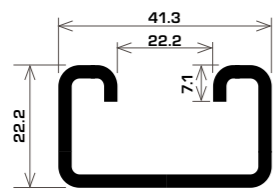
SOLID STRUT 41 X 41 X 2.5 X 3

CODE	FINISH	SIZE MM	LENGTH
FDG1000P-3M	Pre-Galv	41 x 41 x 2.5	3m
FDG1000G-3M	HDG	41 x 41 x 2.5	3m
FDG1000SS-3M	Stainless	41 x 41 x 2.5	3m



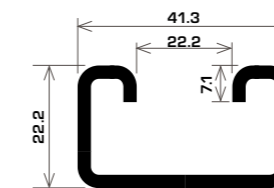
SLOTTED STRUT 41 X 21 X 2.5 X 3

CODE	FINISH	SIZE MM	LENGTH
FDG3000TP-3M	Pre-Galv	41 x 21 x 2.5	3m
FDG3000TG-3M	HDG	41 x 21 x 2.5	3m
FDG3000TSS-3M	Stainless	41 x 21 x 2.5	3m



SOLID STRUT 41 X 21 X 2.5 X 3

CODE	FINISH	SIZE MM	LENGTH
FDG3000P-3M	Pre-Galv	41 x 21 x 2.5	3m
FDG3000G-3M	HDG	41 x 21 x 2.5	3m
FDG3000SS-3M	Stainless	41 x 21 x 2.5	3m

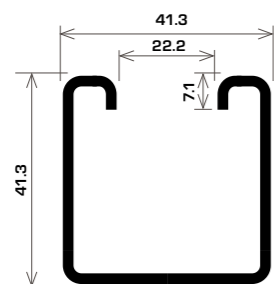


SOLID STRUT 41 X 41 X 1.6 X 6

CODE	FINISH	SIZE MM	LENGTH
FDG2000A	Aluminium	41 x 41 x 1.6	6m
FDG2000P	Pre-Galv	41 x 41 x 1.6	6m
FDG2000G	HDG	41 x 41 x 1.6	6m

SLOTTED STRUT 41 X 41 X 1.6 X 6

CODE	FINISH	SIZE MM	LENGTH
FDG2000TA	Aluminium	41 x 41 x 1.6	6m
FDG2000TP	Pre-Galv	41 x 41 x 1.6	6m
FDG2000TG	HDG	41 x 41 x 1.6	6m

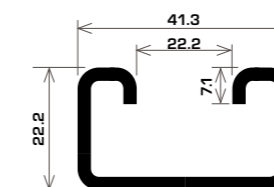


SOLID STRUT 41 X 21 X 1.6 X 6

CODE	FINISH	SIZE MM	LENGTH
FDG4000A	Aluminium	41 x 21 x 1.6	6m
FDG4000P	Pre-Galv	41 x 21 x 1.6	6m
FDG4000G	HDG	41 x 21 x 1.6	6m

SLOTTED STRUT 41 X 21 X 1.6 X 6

CODE	FINISH	SIZE MM	LENGTH
FDG4000TA	Aluminium	41 x 21 x 1.6	6m
FDG4000TP	Pre-Galv	41 x 21 x 1.6	6m
FDG4000TG	HDG	41 x 21 x 1.6	6m



SOLID STRUT 41 X 124 X 2.5 X 6			
CODE	FINISH	SIZE MM	LENGTH
FDG5001G	HDG	41 x 124 x 2.5	6m

SLOTTED STRUT 41 X 124 X 2.5 X 6			
CODE	FINISH	SIZE MM	LENGTH
FDG5001TG	HDG	41 x 124 x 2.5	6m

SOLID STRUT 41 X 82 X 2.5 X 6			
CODE	FINISH	SIZE MM	LENGTH
FDG1001P	Pre-Galv	41 x 82 x 2.5	6m
FDG1001G	HDG	41 x 82 x 2.5	6m
FDG1001B	Black	41 x 82 x 2.5	6m
FDG1001SS	Stainless	41 x 82 x 2.5	6m

SLOTTED STRUT 41 X 82 X 2.5 X 6			
CODE	FINISH	SIZE MM	LENGTH
FDG1001TP	Pre-Galv	41 x 82 x 2.5	6m
FDG1001TG	HDG	41 x 82 x 2.5	6m
FDG1001TB	Black	41 x 82 x 2.5	6m
FDG1001TSS	Stainless	41 x 82 x 2.5	6m

SLOTTED ANGLE			
CODE	FINISH	SIZE MM	LENGTH
FDG15050G	HDG	50 x 50 x 5	6m
FDG15050P	Pre-Galv	50 x 50 x 5	6m

SHS			
CODE	FINISH	SIZE MM	LENGTH
SHS50X3X8	Mild Steel	MM 50 x 50 x 3	8m
SHS50X4X8	Mild Steel	MM 50 x 50 x 4	8m
SHS50X5X8	Mild Steel	MM 50 x 50 x 5	8m
SHS50X6X8	Mild Steel	MM 50 x 50 x 6	8m
SHS65X3X8	Mild Steel	MM 65 x 65 x 3	8m
SHS65X4X8	Mild Steel	MM 65 x 65 x 4	8m
SHS65X5X8	Mild Steel	MM 65 x 65 x 5	8m
SHS65X6X8	Mild Steel	MM 65 x 65 x 6	8m

*Also available in Dura Galv and HDG
*Other sizes also available on request

SPRING NUT			
CODE	DESCRIPTION	PACK QTY	FINISH
NUTM6SLS	M6	100	Zinc/Galv
NUTM8SLS	M8	100	Zinc/Galv/SS
NUTM10SLS	M10	100	Zinc/Galv/SS
NUTM12SLS	M12	100	Zinc/Galv/SS
NUTM16SLS	M16	100	Zinc/Galv

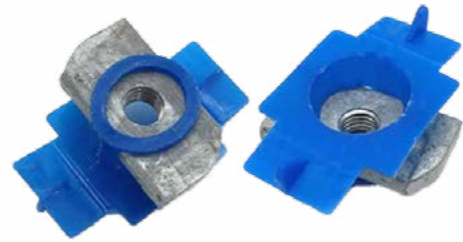
*Short Spring Nuts also available

SHORT SPRING NUT			
CODE	DESCRIPTION	PACK QTY	FINISH
NUTM6SSS	M6	100	Zinc
NUTM8SSS	M8	100	Zinc/HDG
NUTM10SSS	M10	100	Zinc/HDG
NUTM12SSS	M12	100	Zinc/HDG

SPRING NUT WITH NO SPRING			
CODE	DESCRIPTION	PACK QTY	FINISH
NUTM6SNSZ	M6	100	Zinc
NUTM8SNSZ	M8	100	Zinc
NUTM10SNSZ	M10	100	Zinc
NUTM12SNSZ	M12	100	Zinc

TOP HUNG SPRING NUT

CODE	DESCRIPTION	PACK QTY	FINISH
NUTM8TSNZ	M8	100	Zinc
NUTM8TSNG	M8	100	HDG
NUTM10TSNZ	M10	100	Zinc
NUTM10TSNG	M10	100	HDG
NUTM12TSNZ	M12	100	Zinc
NUTM12TSNG	M12	100	HDG



SPEED NUT

CODE	DESCRIPTION	PACK QTY	FINISH
NUTM10SNZ	M10	100	Zinc
NUTM10SNG	M10	100	Galv
NUTM12SNZ	M12	100	Zinc



TOP HUNG SPEED NUT

CODE	DESCRIPTION	PACK QTY	FINISH
NUTM10STZ	M10	100	Zinc



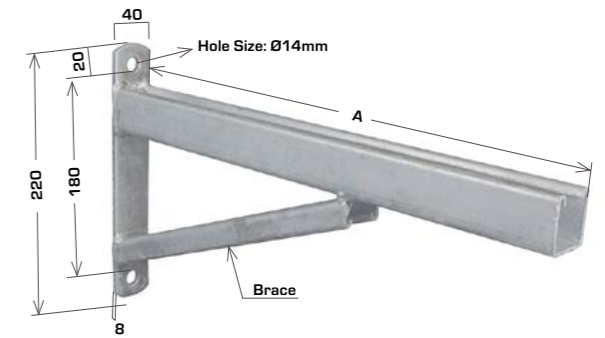
T-NUT

CODE	DESCRIPTION	PACK QTY	FINISH
53NUTM10STZ	M10	100	Zinc



CANTILEVER BRACKETS - BRACED (HDG)

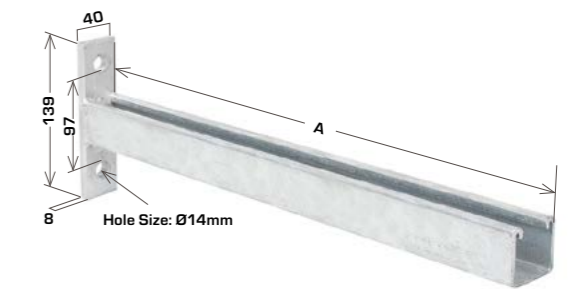
CODE	LENGTH MM (A)
FDGCB320G	320
FDGCB470G	470
FDGCB635G	635
FDGCB780G	780
FDGCB930G	930
FDGCB1080G	1080



*Custom sizes and finishes available on request.

CANTILEVER BRACKETS - UNBRACED (HDG)

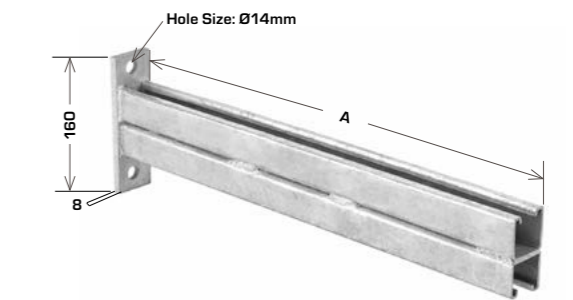
CODE	LENGTH MM (A)
FDGCBU150G	150
FDGCBU300G	300
FDGCBU450G	450
FDGCBU600G	600
FDGCBU700G	700
FDGCBU1000G	1000



*Custom sizes and finishes available on request.

CANTILEVER BRACKETS - BACK TO BACK

CODE	LENGTH MM (A)
FDGCB2B305G	305
FDGCB2B460G	460
FDGCB2B610G	610
FDGCB2B760G	760
FDGCB2B915G	915



*Custom sizes and finishes available on request.

ROD STIFFENER

CODE	DESCRIPTION	PACK QTY	FINISH
HTRS-3PCE	M10	100	Zinc/Galv
HTRS-3PCE12	M12	100	Zinc/Galv



M8 FLANGE BEAM CLAMP - 3MM

CODE	DESCRIPTION	QTY	FINISH
53BFC	M8	100	Zinc
53BFCG	M8	100	Galv





ROD BASE PLATE PRESSED

CODE	DESCRIPTION	PACK QTY	FINISH
53BP10	M10	50	ZP & SS

ROD BASE PLATE WELDED BOSS

CODE	DESCRIPTION	PACK QTY	FINISH
53BP10Z-B	M10	50	ZP, HDG & SS



ROD BASE PLATE 45°

CODE	DESCRIPTION	PACK QTY	FINISH
FDGBPH10Z	M10	50	ZP & HDG

ROD BASE PLATE 45° - 2 HOLE

CODE	DESCRIPTION	PACK QTY	FINISH
FDGBPH10Z-2H	M10	50	ZP & HDG



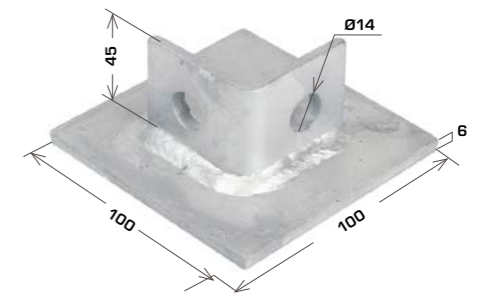
ROD BASE PLATE VERTICAL

CODE	DESCRIPTION	PACK QTY	FINISH
FDGBPV10Z	M10	50	ZP & HDG
FDGBPV12Z	M12	50	ZP & HDG



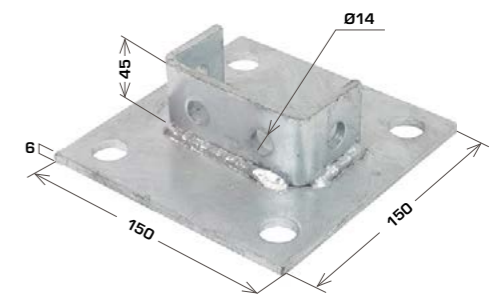
STRUT BASE PLATE 40 X 100 (HDG)

CODE	DESCRIPTION	PACK QTY	TO SUIT
FDG2072SIG	100 x 100 x 45	20	FDG1000T



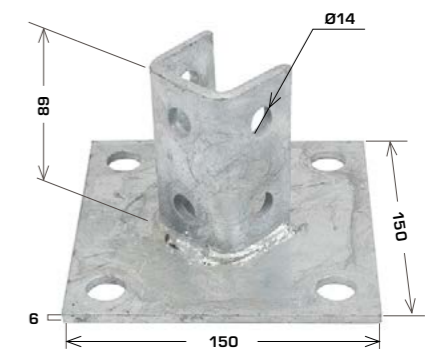
BASE PLATE 150 ANGLE (HDG)

CODE	DESCRIPTION	PACK QTY	TO SUIT
FDG2073G	150 x 150 x 45	10	FDG3000
FDG2073SS	150 x 150 x 45	10	FDG3000



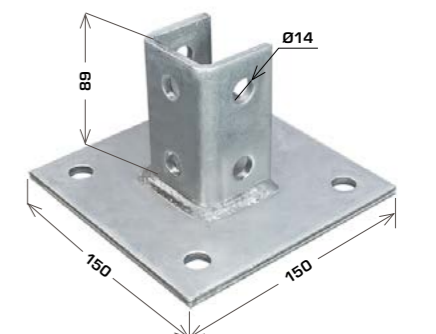
BASE PLATE 150 ANGLE (HDG)

CODE	DESCRIPTION	PACK QTY	TO SUIT
FDG2072AG	150 x 150 x 89	10	FDG1000T



STRUT BASE PLATE 150 SQUARE

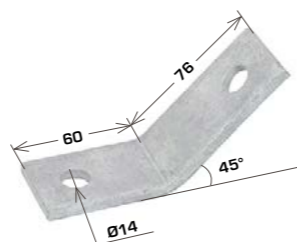
CODE	DESCRIPTION	PACK QTY	TO SUIT	FINISH
FDG2072BG	150 x 150 x 89	10	FDG1000T	Galv
FDG2072BSS	150 x 150 x 89	10	FDG1000T	SS





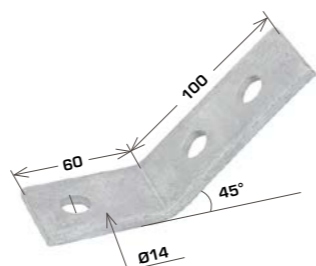
ANGLE BRACKET - EXTERNAL ANGLE 45°

CODE	DESCRIPTION	PACK QTY	FINISH
FDG1546G	76 x 60	100	Galv
FDG1546SS	76 x 60	100	SS



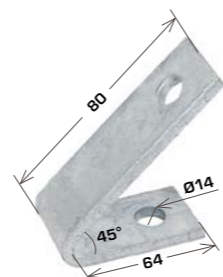
ANGLE BRACKET - SEISMIC ANGLE 45°

CODE	DESCRIPTION	PACK QTY	FINISH
FDG1546G-3H	100 x 60	100	Galv



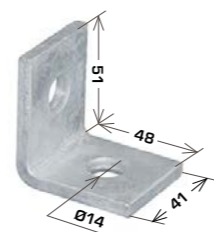
ANGLE BRACKET - INTERNAL ANGLE 45°

CODE	DESCRIPTION	PACK QTY	FINISH
FDG1186G	80 x 64	100	Galv



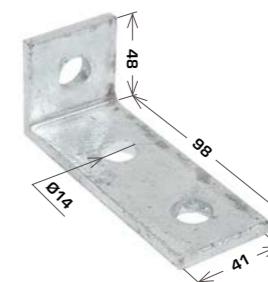
ANGLE BRACKET - 2 HOLE

CODE	DESCRIPTION	PACK QTY	FINISH
FDG1026G	48 x 51	200	Galv
FDG1026SS	48 x 51	200	SS



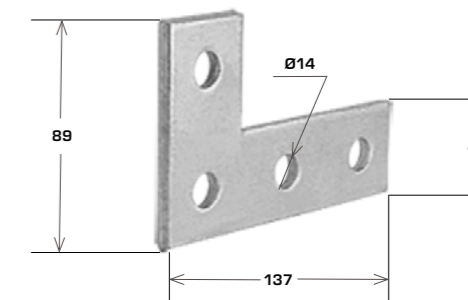
ANGLE BRACKET - 3 HOLE

CODE	DESCRIPTION	PACK QTY	FINISH
FDG1326G	41 x 105	100	Galv
FDG1326SS	41 x 105	100	SS
FDG1346G	98 x 48	100	Galv



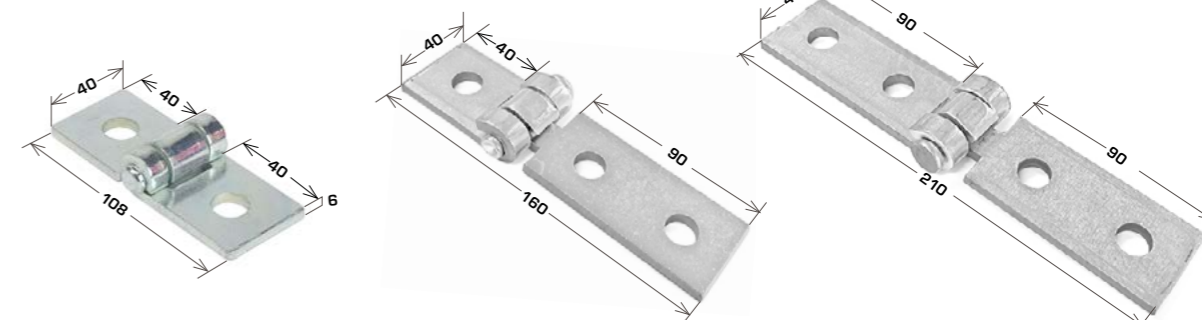
90° FLAT PLATE - 4 HOLE

CODE	DESCRIPTION	PACK QTY	FINISH
FDG1380AG	89 x 137	10	Galv



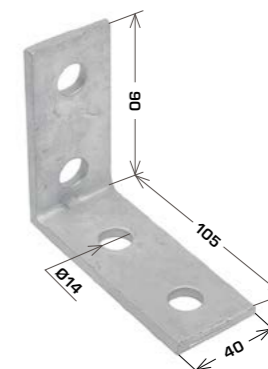
HINGE ANGLE BRACKET

CODE	DESCRIPTION	THICKNESS	PACK QTY	FINISH
FDG1843	2 hole - 40 x 40	6mm	100	Zinc/Galv
FDG1354A	3 hole - 40 x 90	6mm	50	Zinc/Galv
FDG1354	4 hole - 90 x 90	6mm	50	Zinc/Galv



ANGLE BRACKET - 4 HOLE

CODE	DESCRIPTION	PACK QTY	FINISH
FDG1325G	105 x 90	10	Galv



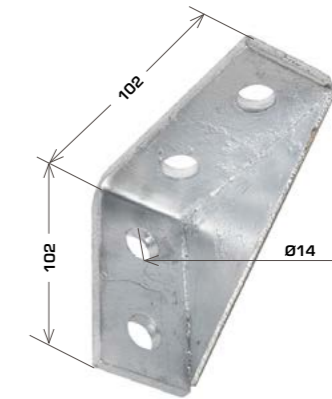
ANGLE BRACKET - NARROW ANGLE TEE

CODE	DESCRIPTION	PACK QTY	FINISH
FDG1357G	57 x 90	10	Galv



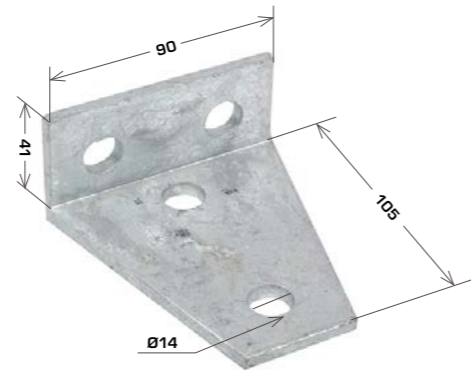
ANGLE BRACKET - 4 HOLE BRACED

CODE	DESCRIPTION	PACK QTY	FINISH
FDG2484G	102 x 102	10	Galv



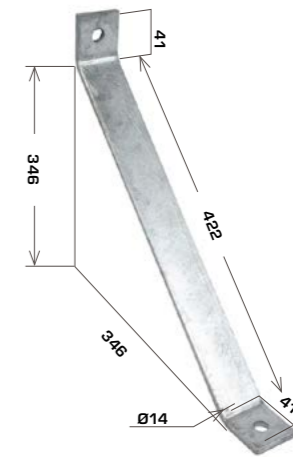
ANGLE BRACKET - WIDE ANGLE TEE

CODE	DESCRIPTION	PACK QTY	FINISH
FDG1359G	105 x 90	10	Galv



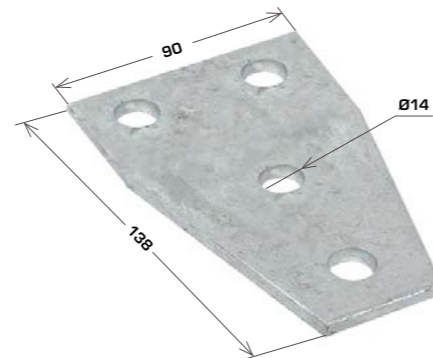
BRACE FITTING - ANGLE BRACE

CODE	DESCRIPTION	PACK QTY	FINISH
FDG2452G	41 x 346 x 422	100	Galv



FLAT ANGLE BRACKET

CODE	DESCRIPTION	PACK QTY	FINISH
FDG1358G	138 x 90	10	Galv

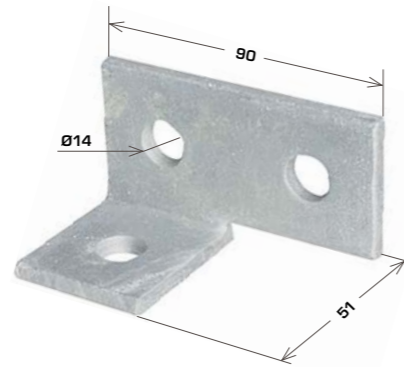


“We were initially hesitant to use ModFrame given we had never seen anything like it in the market before, but after use on one project we will never return to traditional welded frames. It cut overall costs by over 50% due to its endless flexibility and huge time saving advantages when installing on site”

Foreman
Axis Plumbing

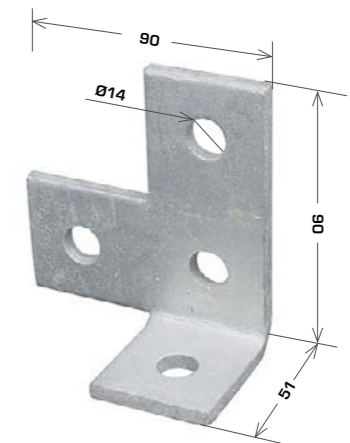
WINGED FITTING - LEFT

CODE	DESCRIPTION	PACK QTY	FINISH
FDG1038G	90 x 51	10	Galv



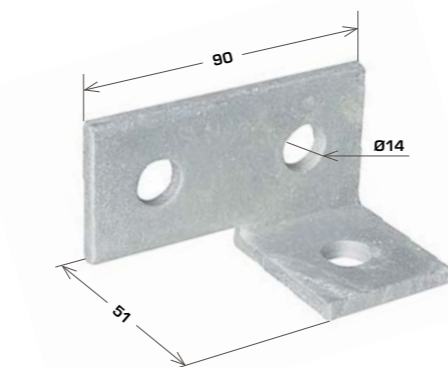
WINGED FITTING - LEFT

CODE	DESCRIPTION	PACK QTY	FINISH
FDG1034G	90 x 90 x 51	10	Galv



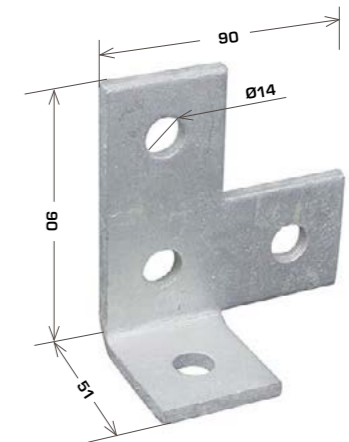
WINGED FITTING - RIGHT

CODE	DESCRIPTION	PACK QTY	FINISH
FDG1037G	90 x 51	10	Galv



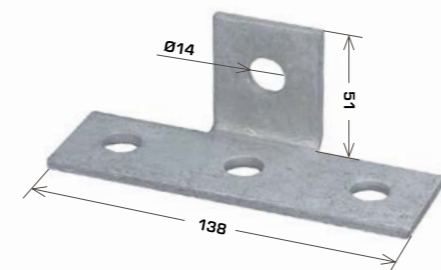
WINGED FITTING - RIGHT

CODE	DESCRIPTION	PACK QTY	FINISH
FDG1035G	90 x 90 x 51	10	Galv



WINGED FITTING - TEE

CODE	DESCRIPTION	PACK QTY	FINISH
FDG1033G	138 x 51	10	Galv



FDG SHS



FDG SHS provides a robust structural solution, ideal for applications where strength is required.

- Increased Structural Strength - Ideal for heavy-duty support applications.
- Versatile Usage - Perfect for frames, equipment supports, and custom assemblies.

Want technical specs, sizing options, or to see how SHS can work in your next project?

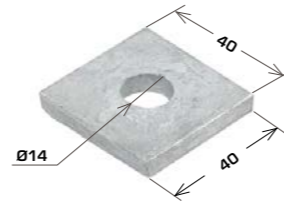
Get in touch today for more info on 0800 555 464!





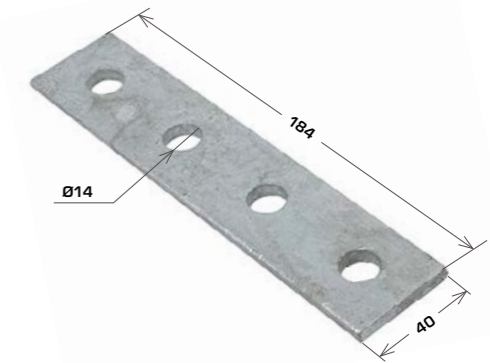
FLAT PLATE FITTING - 1 HOLE

CODE	DESCRIPTION	PACK QTY	FINISH
W8X40SQX3	40 x 40 x 3mm x M8	100	Galv & SS
W10X40SQX3	40 x 40 x 3mm x M10	100	Galv & SS
W12X40SQX3	40 x 40 x 3mm x M12	100	Galv & SS
W16X40SQX3G	40 x 40 x 3mm x M16	100	Galv
W10X40SQX6G	40 x 40 x 6mm x M10	100	Galv
W12X40SQX6G	40 x 40 x 6mm x M12	100	Galv
W16X40SQX6G	40 x 40 x 6mm x M16	100	Galv



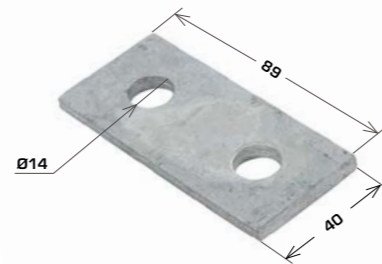
FLAT PLATE FITTING - 4 HOLE

CODE	DESCRIPTION	PACK QTY	FINISH
FDG1067G	40 x 184	20	Galv



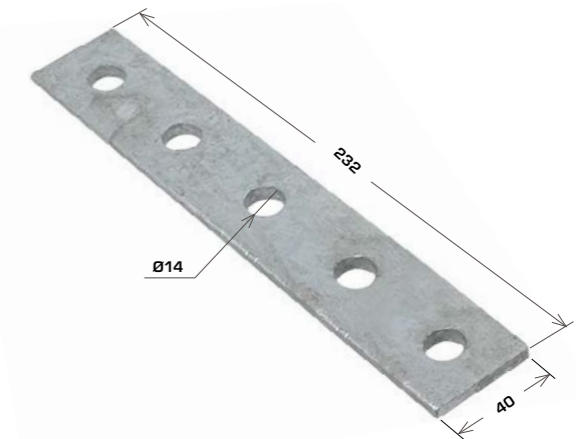
FLAT PLATE FITTING - 2 HOLE

CODE	DESCRIPTION	PACK QTY	FINISH
FDG1065G	40 x 89	100	Galv



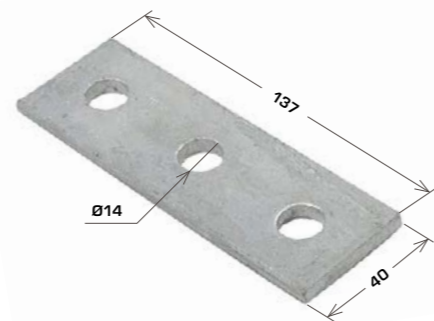
FLAT PLATE FITTING - 5 HOLE

CODE	DESCRIPTION	PACK QTY	FINISH
FDG1941G	40 x 232	20	Galv



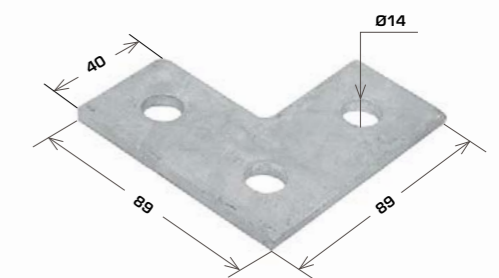
FLAT PLATE FITTING - 3 HOLE

CODE	DESCRIPTION	PACK QTY	FINISH
FDG1066G	40 x 137	50	Galv



FLAT PLATE FITTING - RIGHT ANGLE

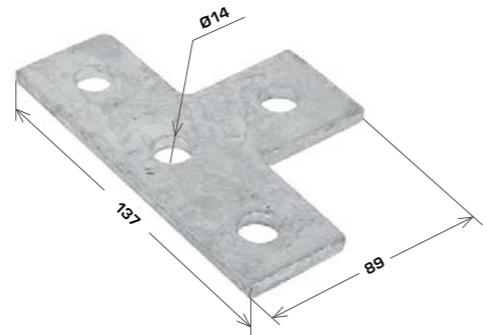
CODE	DESCRIPTION	PACK QTY	FINISH
FDG1036G	89 x 89	20	Galv





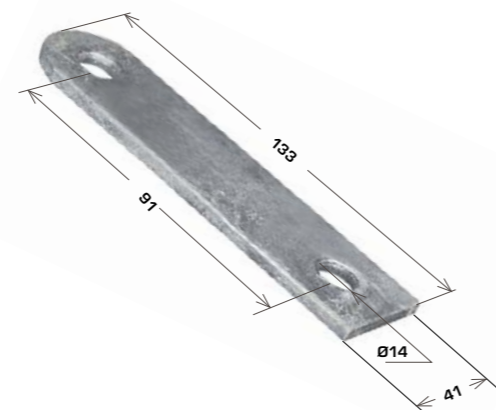
FLAT PLATE FITTING - TEE

CODE	DESCRIPTION	PACK QTY	FINISH
FDG1031G	89 x 137	20	Galv



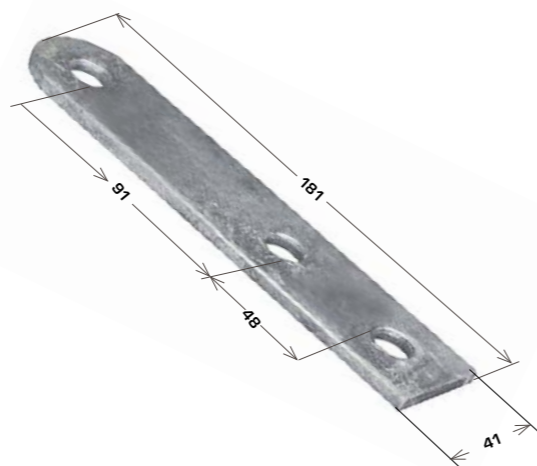
FLAT PLATE FITTING - 2 HOLE

CODE	DESCRIPTION	PACK QTY	FINISH
FDG2325G	91 x 133	20	Galv



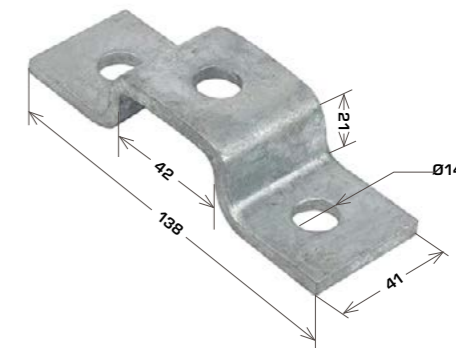
FLAT PLATE FITTING - 3 HOLE

CODE	DESCRIPTION	PACK QTY	FINISH
FDG2324G	91 x 181	20	Galv



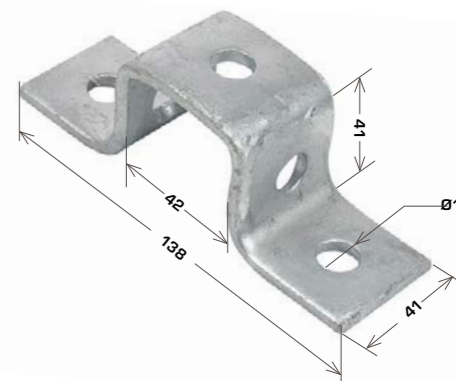
U SHAPED BRACKET

CODE	DESCRIPTION	PACK QTY	FINISH
FDG4047G	42 x 21 x 138	40	Galv



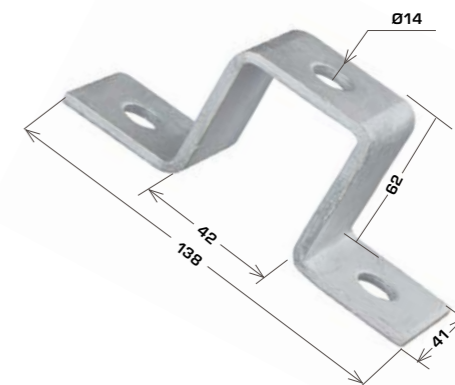
U SHAPED BRACKET

CODE	DESCRIPTION	PACK QTY	FINISH
FDG1047G	42 x 41 x 138	20	Galv



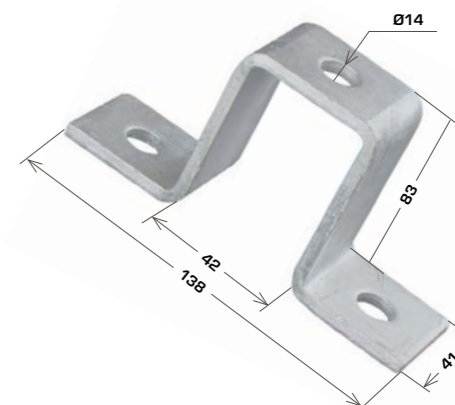
U SHAPED BRACKET

CODE	DESCRIPTION	PACK QTY	FINISH
FDG5547G	42 x 62 x 138	10	Galv



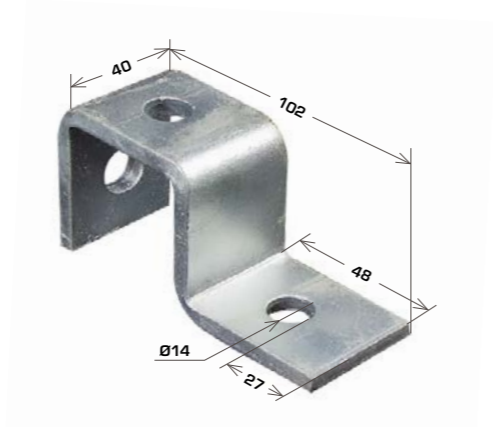
U SHAPED BRACKET

CODE	DESCRIPTION	PACK QTY	FINISH
FDG1737G	42 x 83 x 138	10	Galv

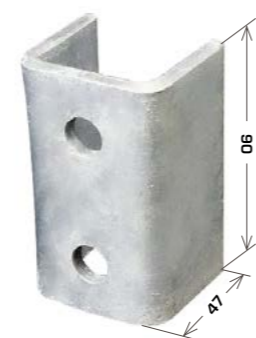




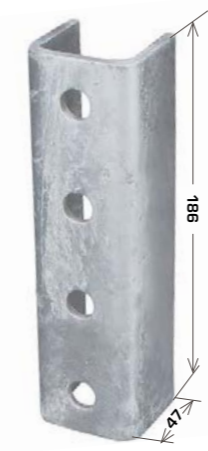
U SHAPED BRACKET			
CODE	DESCRIPTION	PACK QTY	FINISH
FDG1046G	48 x 102	10	Galv



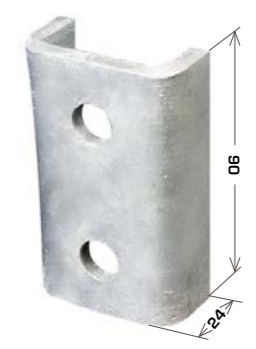
U SHAPE STRUT JOINER			
CODE	DESCRIPTION	PACK QTY	FINISH
FDG1376G	47 x 90	10	Galv



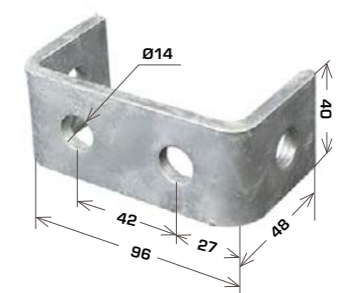
U SHAPED BRACKET			
CODE	DESCRIPTION	PACK QTY	FINISH
FDG1377G	47 x 186	10	Galv



U SHAPE STRUT JOINER			
CODE	DESCRIPTION	PACK QTY	FINISH
FDG4376G	24 x 90	1	Galv



U SHAPE STRUT JOINER			
CODE	DESCRIPTION	PACK QTY	FINISH
FDG1044G	48 x 96	1	Galv



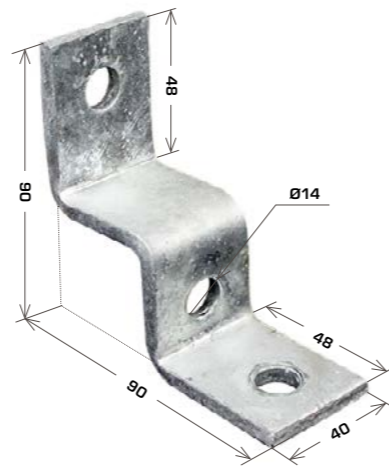
STAY COMPLIANT
WITH FDG's C1 & C2 RATED SEISMIC ANCHORS
 Get in touch today for more info on 0800 555 464!

FDG



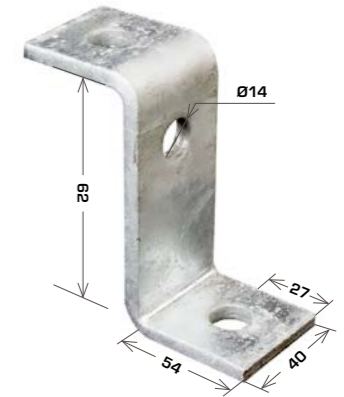
Z SHAPED BRACKET

CODE	DESCRIPTION	PACK QTY	FINISH
FDG1736G	40 x 90 x 90	10	Galv



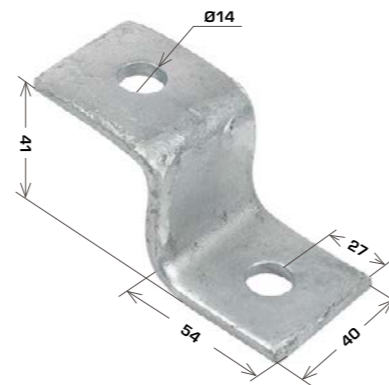
Z SHAPED BRACKET

CODE	DESCRIPTION	PACK QTY	FINISH
FDG5545G	40 x 65 x 90	10	Galv



Z SHAPED BRACKET

CODE	DESCRIPTION	PACK QTY	FINISH
FDG1045G	40 x 45 x 94	10	Galv



MOUNTING PLATES

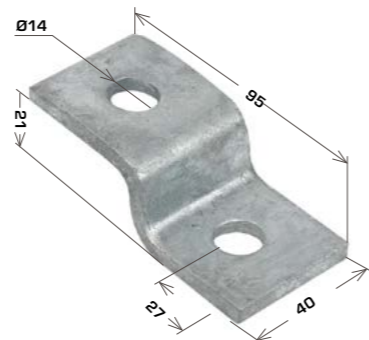
CODE	STRUT	PULLOUT LOAD	SLIP LOAD
FDG3087G	FDG1000G	4.41kN	3.53kN
FDG3087G	FDG2000G	4.41kN	1.32kN

*2 cone pointed screws included per plate

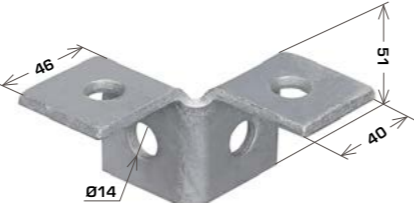


Z SHAPED BRACKET

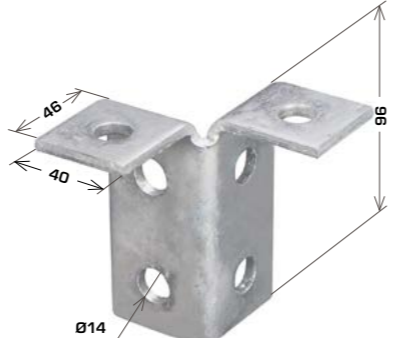
CODE	DESCRIPTION	PACK QTY	FINISH
FDG4045G	40 x 25 x 95	10	Galv



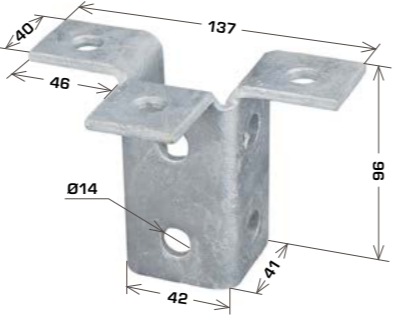
WING SHAPED BRACKET			
CODE	DESCRIPTION	PACK QTY	FINISH
FDG2223G	46 x 51	1	Galv



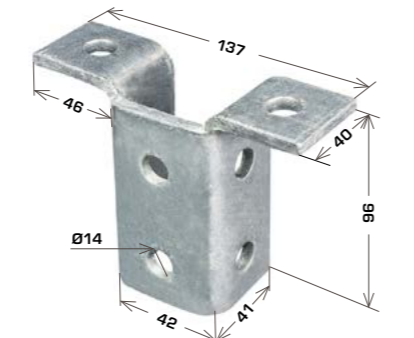
WING SHAPED BRACKET			
CODE	DESCRIPTION	PACK QTY	FINISH
FDG2224G	46 x 96	1	Galv



WING SHAPED BRACKET			
CODE	DESCRIPTION	PACK QTY	FINISH
FDG2228G	46 x 96 x 137	200	Galv



WING SHAPED BRACKET			
CODE	DESCRIPTION	PACK QTY	FINISH
FDG2346G	46 x 96 x 137	1	Galv



BEAM CLAMPS FOR THREADED ROD			
CODE	DESCRIPTION	PACK QTY	FINISH
FDGUCBCH10	M10	50	Zinc
FDGUCBCH12	M12	50	Zinc
FDGUCBCH10G	M10	50	Galv
FDGUCBCH12G	M12	50	Galv



BEAM CLAMP			
CODE	DESCRIPTION	PACK QTY	FINISH
FDG1379	82 x 25	20	Galv

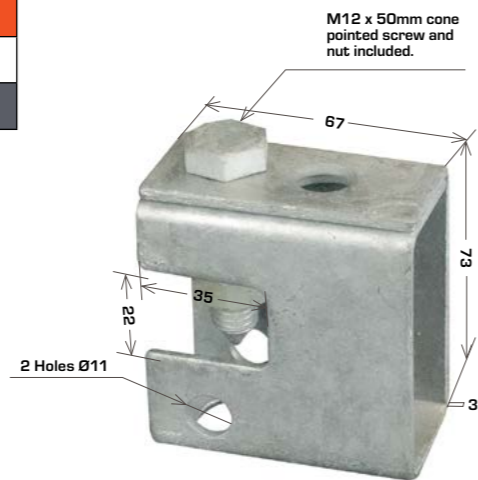
*Use in pairs only



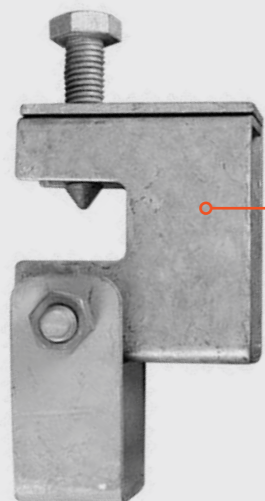
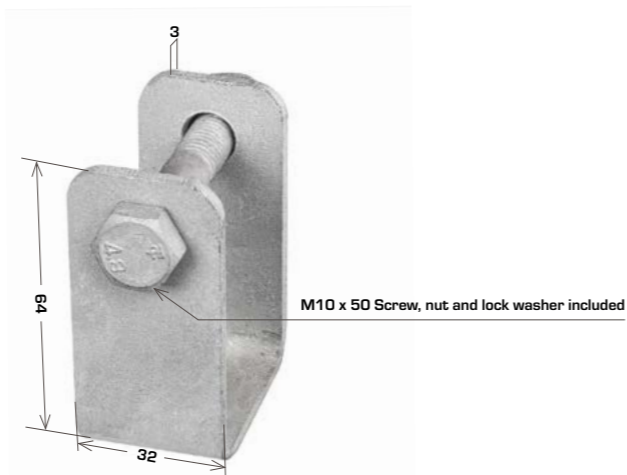
UNIVERSAL JOINT			
CODE	DESCRIPTION	PACK QTY	FINISH
FDGUJ-3PCE-10	M10	25	Zinc
FDGUJ-3PCE-12	M12	25	Zinc



SWIVEL BEAM CLAMP			
CODE	DESCRIPTION	PACK QTY	FINISH
FDG2676G	67 x 73	1	Galv



HANGER FOR FDG2676G			
CODE	DESCRIPTION	PACK QTY	FINISH
FDG2683G	64 x 32	1	Galv



The Combination of
BEAM CLAMP and **HANGER**.



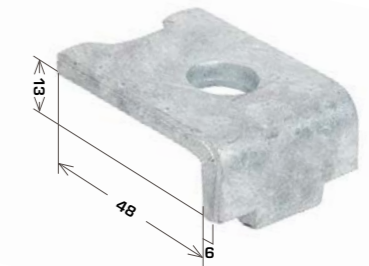
BEAM CLAMPS - ADJUSTABLE			
CODE	DESCRIPTION	PACK QTY	FINISH
FDG2785G	76 x 86	10	Galv
FDG2786G	76 x 127	10	Galv
FDG2785SS	76 x 86	10	Stainless
FDG2786SS	76 x 127	10	Stainless

*Use in pairs only



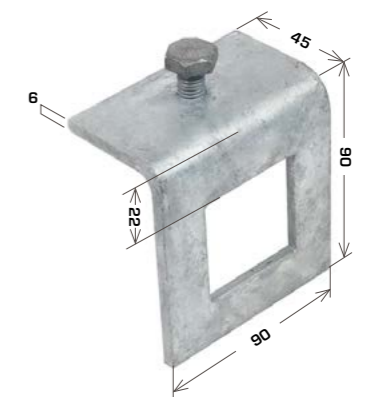
BEAM CLAMPS - LOCKING		
CODE	DESCRIPTION	PACK QTY
FDG1386G	13 x 48	20

*Use in pairs only



BEAM CLAMPS - WINDOW BRACKET		
CODE	DESCRIPTION	PACK QTY
FDG1796G	Window Bracket	20

*Use in pairs only

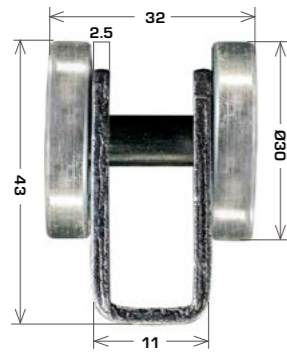


DUCT BRACKET		
CODE	DESCRIPTION	PACK QTY
FDG-BDZ10ZP	Duct Z Bracket with Grommet	1
FDG-BDL10ZP	Duct L Bracket with Grommet	1

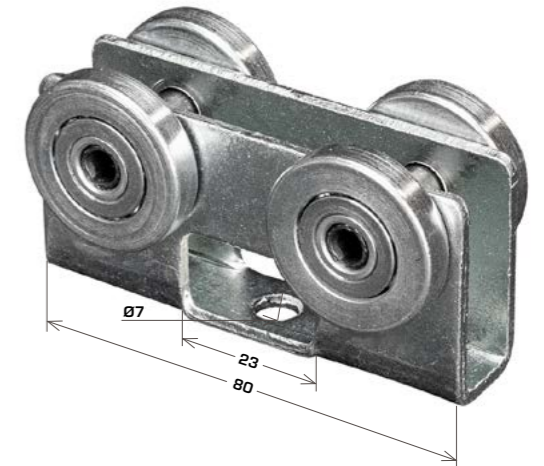
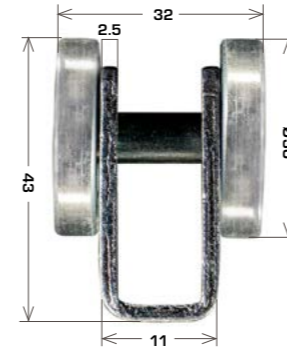




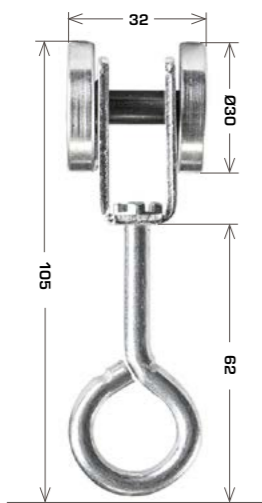
TROLLEY ASSEMBLY - SINGLE			
CODE	DESCRIPTION	PACK QTY	FINISH
FDG2749G	32 x 43	1	Galv



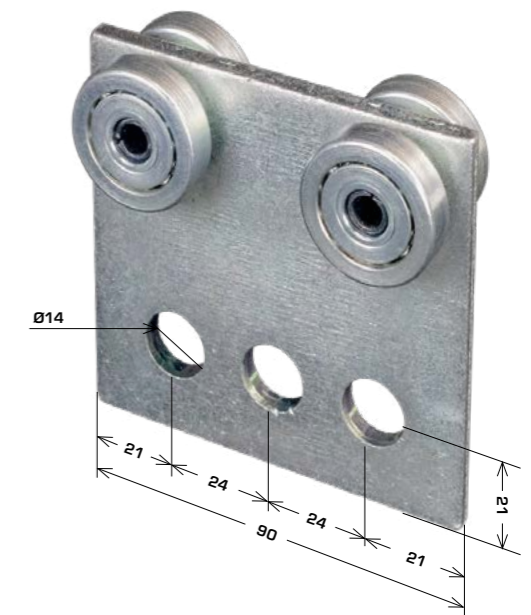
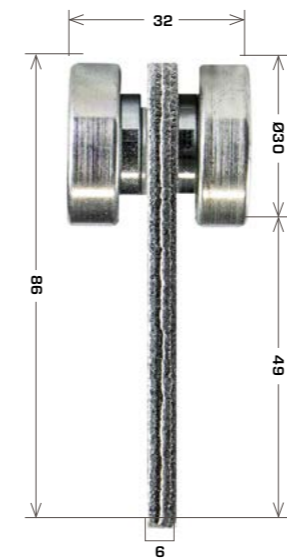
TROLLEY ASSEMBLY			
CODE	DESCRIPTION	PACK QTY	FINISH
FDG2750G	32 x 43	1	Galv



TROLLEY ASSEMBLY			
CODE	DESCRIPTION	PACK QTY	FINISH
FDG2751G	32 x 105	1	Galv

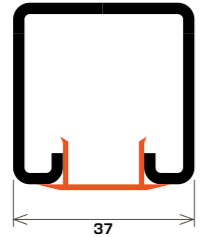



TROLLEY ASSEMBLY			
CODE	DESCRIPTION	PACK QTY	FINISH
FDG2950G	32 x 98	1	Galv





STRUT COVER			
CODE	TYPE	LENGTH	PACK QTY
SC41X3	Plastic	3 Metre	10


STRUT END CAP		
CODE	TYPE	PACK QTY
SSE41X41	Plastic	10



STRUT END CAP		
CODE	TYPE	PACK QTY
SSE41X21	Plastic	10



STRUT END CAP		
CODE	TYPE	PACK QTY
SSE41X41-B	Rubber	10



SEISMIC DESIGN

ABOUT SEISMIC DESIGN

At FDG, we don't just supply products - we partner with you to ensure project success. Our in-house design assistance provides tailored support that goes beyond standard supply, helping you solve complex challenges with practical, cost-effective solutions.



KEY ADVANTAGES

- ✔ **Tailored Solutions:** Designed to meet the specific needs of your project, ensuring performance, safety, and compliance.
- ✔ **Expert Support:** From seismic design to MEP installations, to custom support solutions, our technical team brings the knowledge and precision required to deliver the right solution.
- ✔ **End-to-End Partnership:** From initial concept through to engineered design, our team is with you every step of the way, reducing project risk through a streamlined, end-to-end solution.

ENGINEERING & DESIGN

FDG offers an engineering and design service for any frames or heavy-duty supports you require throughout your project. We will work together to co-ordinate your design and help you complete your project on-time and on budget.

A full engineering report will be supplied along with a package of layout drawings and a comprehensive bill-of-materials. Engineering data and CAD files are available upon request from the FDG Team, who can assist your internal teams with design in the early stages.

