



MODFRAME

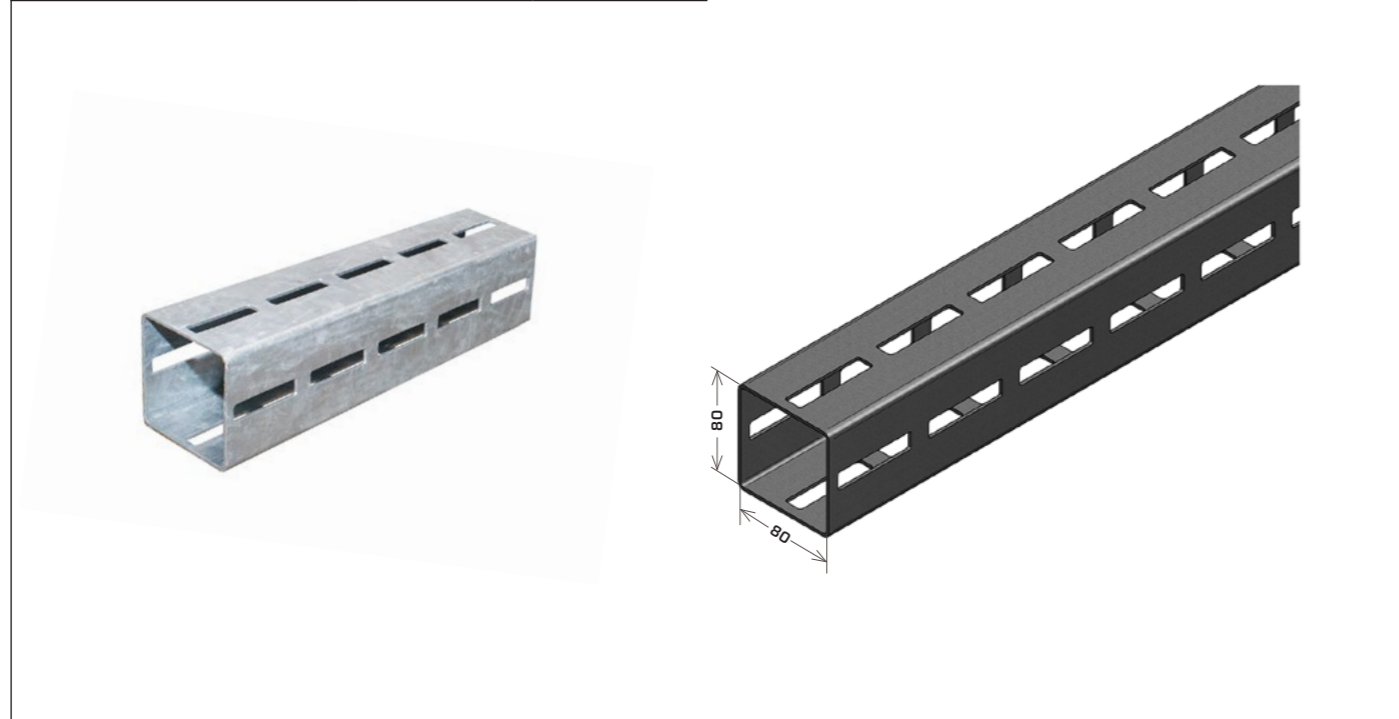
PROFILE	72
BOLTS	74
BASE PLATES	75
BRACKETS	78
CONSOLES	84
COUPLERS	85
PIPE HOLDERS	86
CLAMPING & CONNECTIONS	87

**KEEPING BUSINESS'S
MOVING & MAKING**

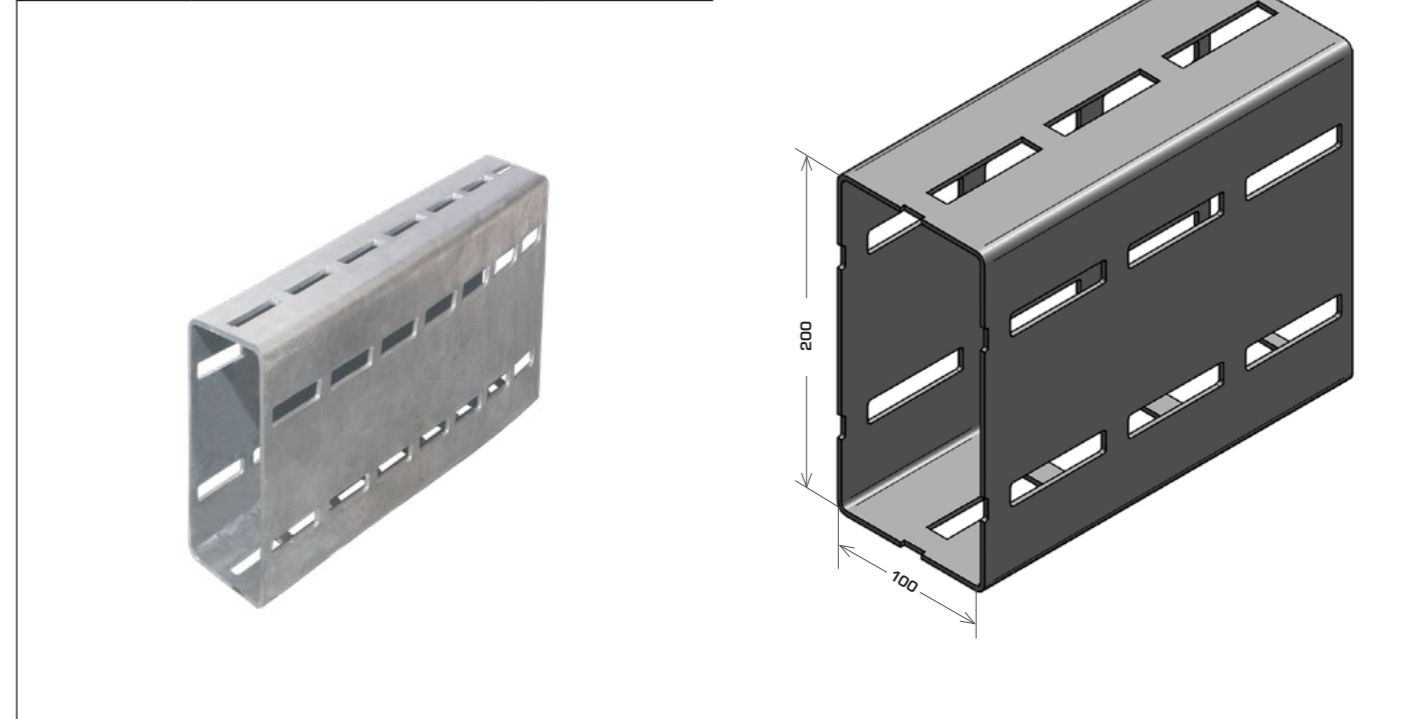
 www.fdg.nz.com
 sales@fdg.nz.com
 0800 555 464



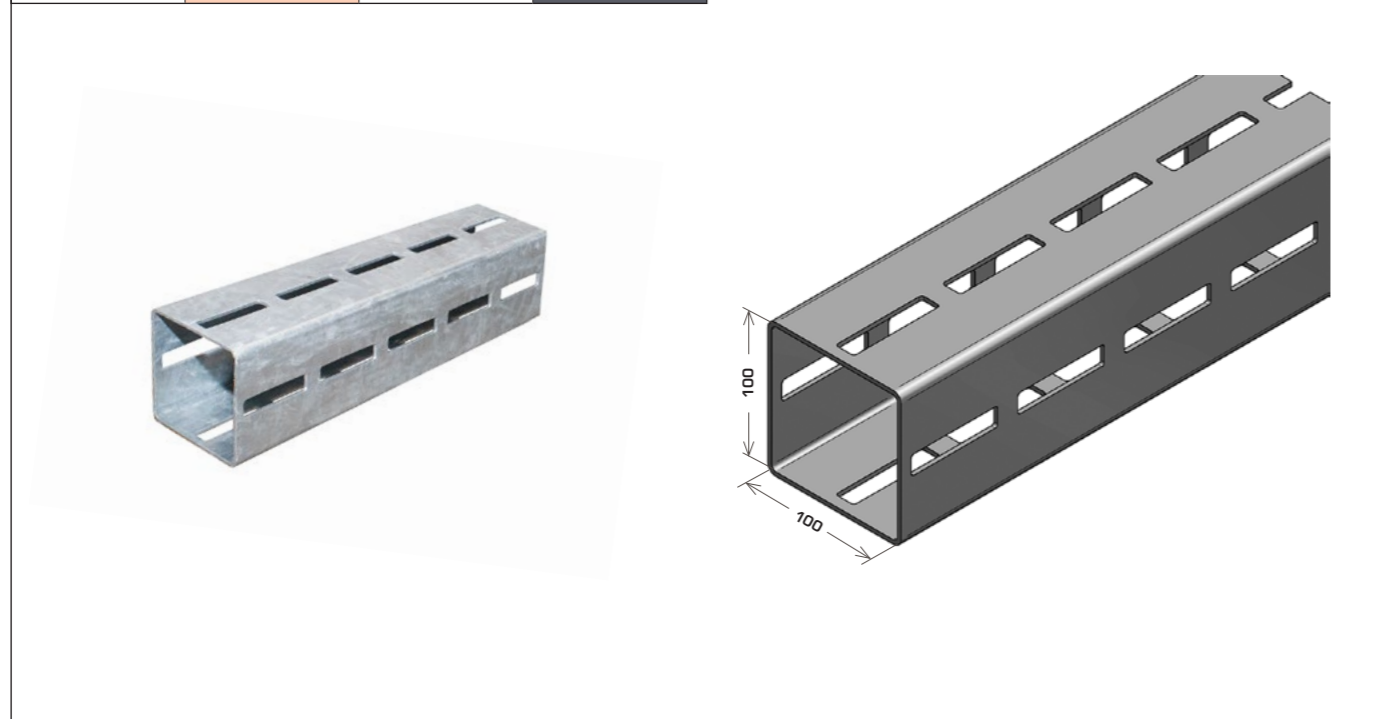
MOD 80 PROFILE			
CODE	DESCRIPTION	LENGTH	FINISH
MOD80HDG	80 x 80 x 2.5	6M	Galv



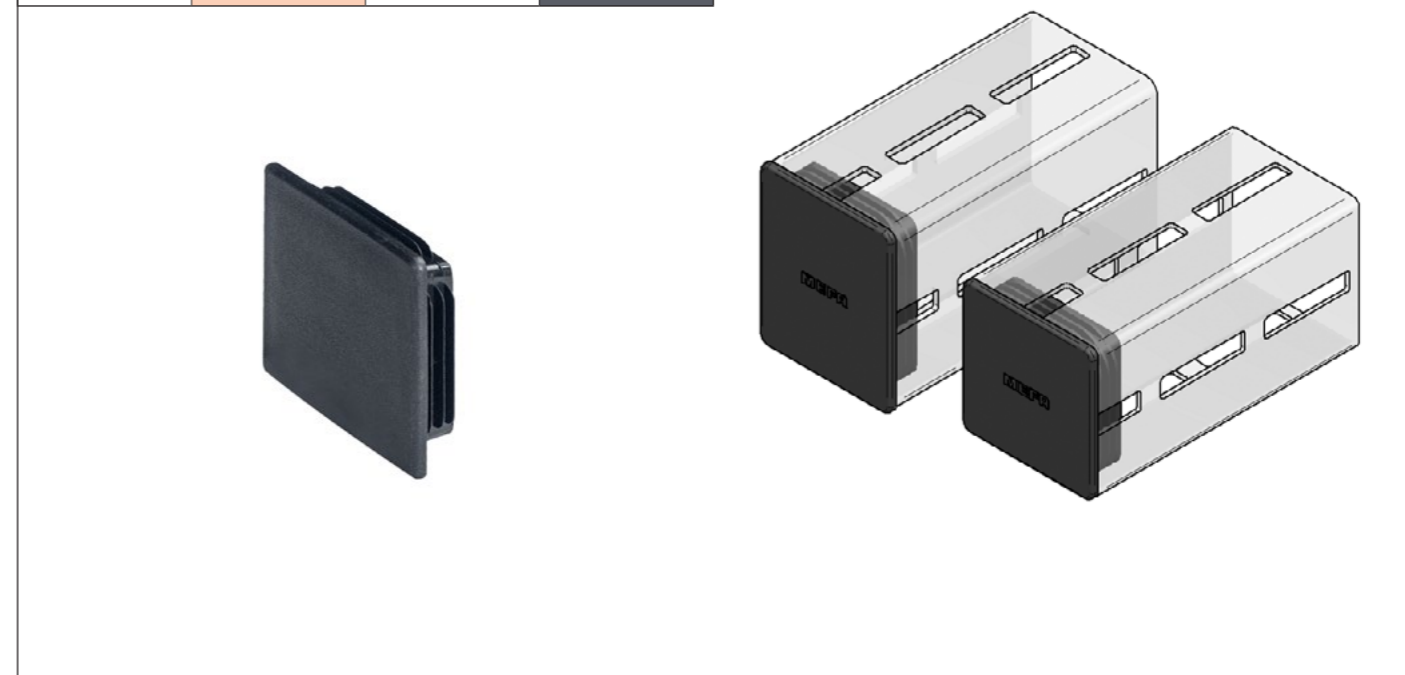
MOD 200 PROFILE			
CODE	DESCRIPTION	LENGTH	FINISH
MOD200HDG	200 x 100 x 5	6M	Galv



MOD 100 PROFILE			
CODE	DESCRIPTION	LENGTH	FINISH
MOD100HDG	100 x 100 x 3	6M	Galv



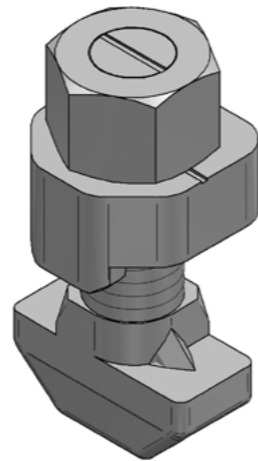
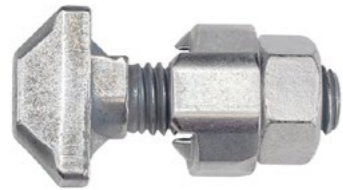
PROTECTING CAP			
CODE	DESCRIPTION	LENGTH	FINISH
MOD80CAP	80 x 80	6M	Galv
MOD100CAP	100 x 100	6M	Galv





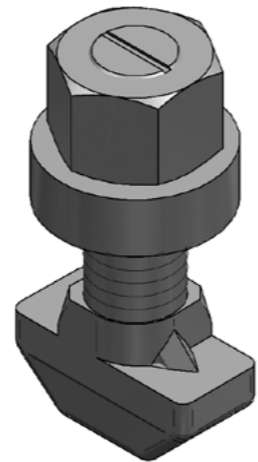
T-LOCK HEAD M12 X 40 TOOTHED

CODE	DESCRIPTION	PACK QTY	FINISH
MODTB/S-AT	12 x 40	1	Galv



T-LOCK HEAD M12 X 40 WASHER

CODE	DESCRIPTION	PACK QTY	FINISH
MODTB/W	12 x 40	1	Galv



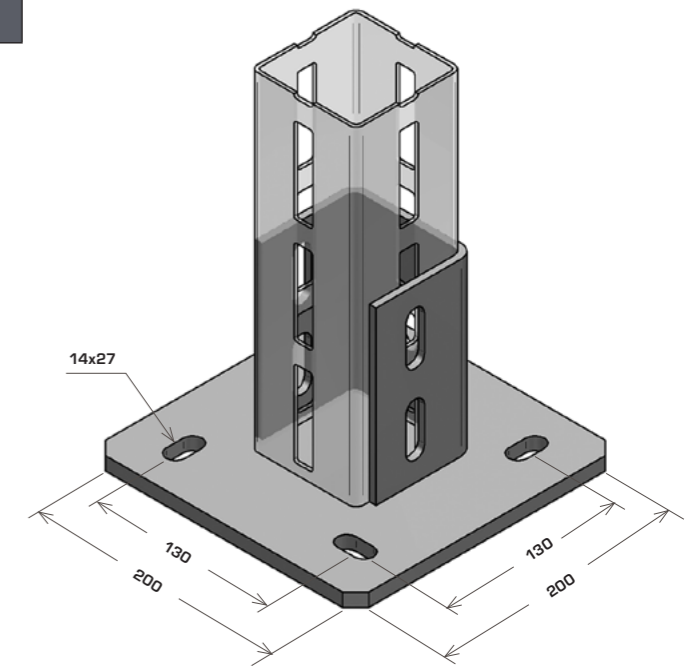
FIXBOBS

CODE	DESCRIPTION	PACK QTY	FINISH
MODFB	12 x 40	1	Zinc Plate



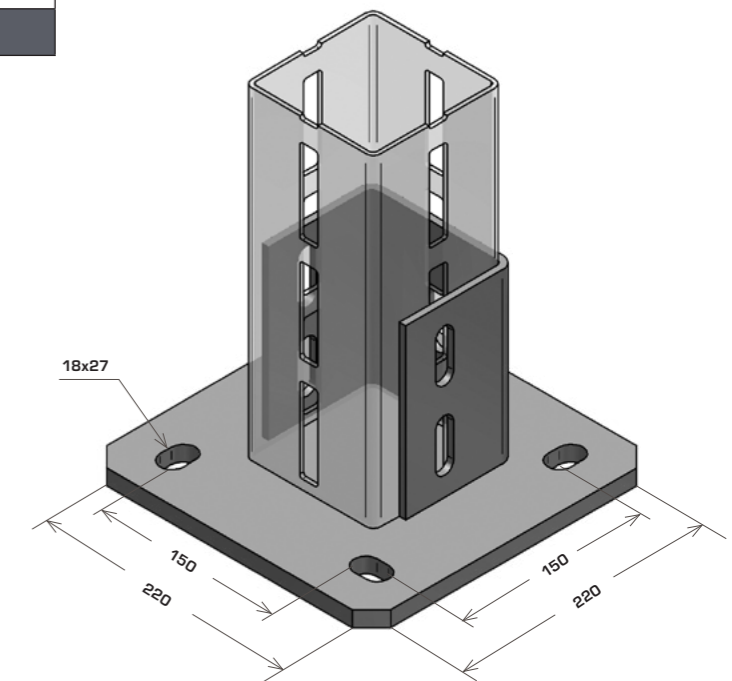
MOD 80 BASE PLATE

CODE	DESCRIPTION	PACK QTY	FINISH
MOD80BP	200 x 200 x 10	1	Galv



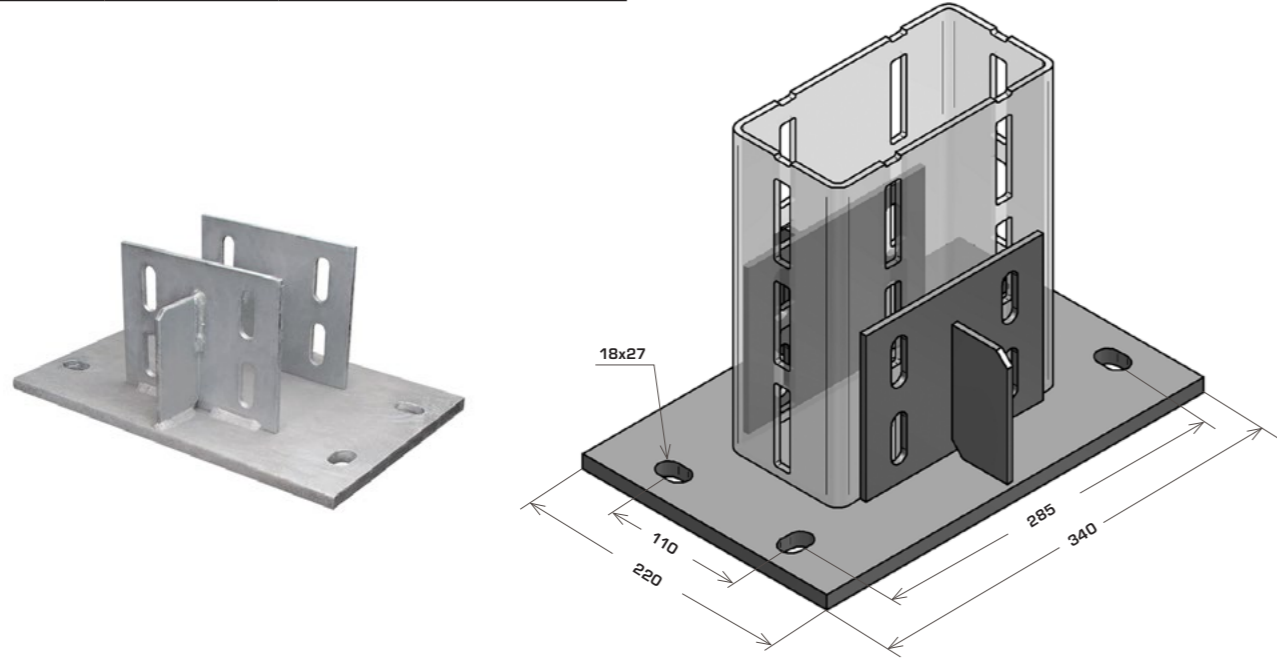
MOD 100 BASE PLATE

CODE	DESCRIPTION	PACK QTY	FINISH
MOD100BP	220 x 220 x 10	1	Galv

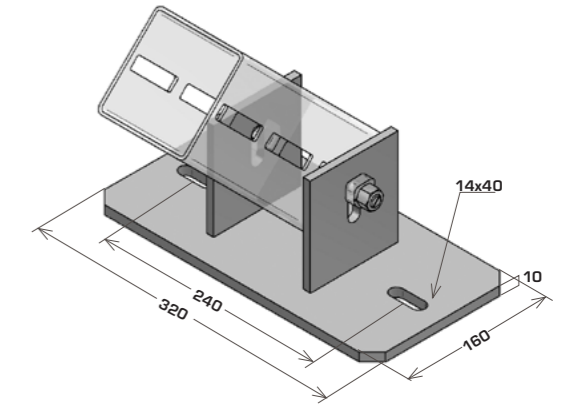




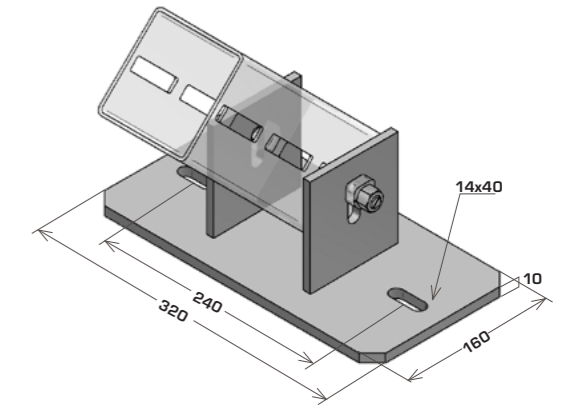
MOD 200 HOLDER			
CODE	DESCRIPTION	PACK QTY	FINISH
MOD200BP	340 x 220 x 10	1	Galv



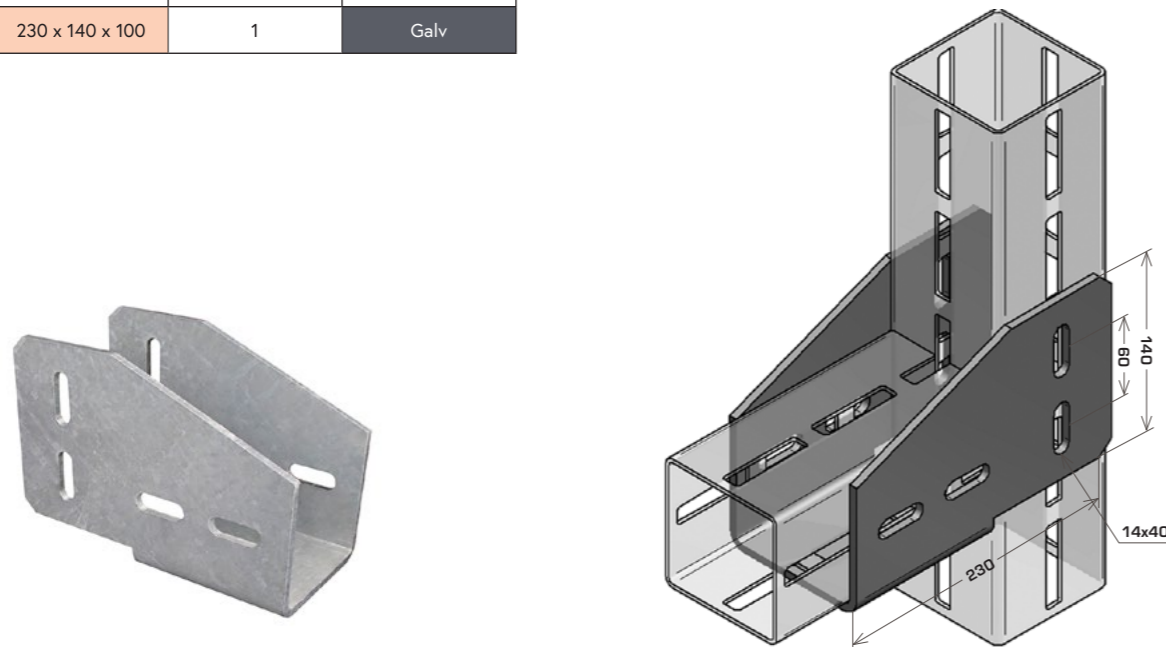
MOD 100 JOINT HOLDER HORIZONTAL			
CODE	DESCRIPTION	PACK QTY	FINISH
MOD100HHB	320 x 160 x 10	1	Galv



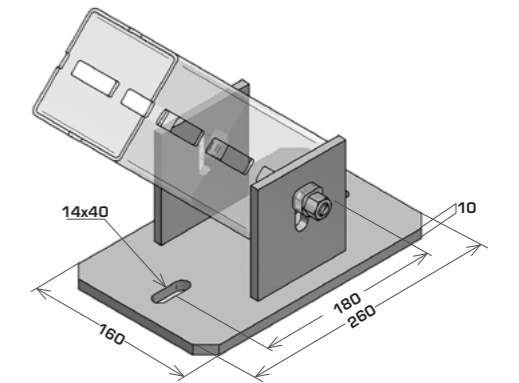
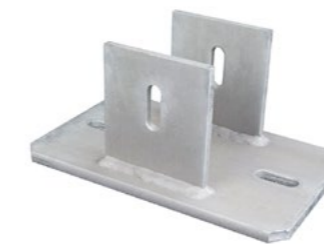
MOD 80 JOINT HOLDER HORIZONTAL			
CODE	DESCRIPTION	PACK QTY	FINISH
MOD80HHB	320 x 160 x 10	1	Galv



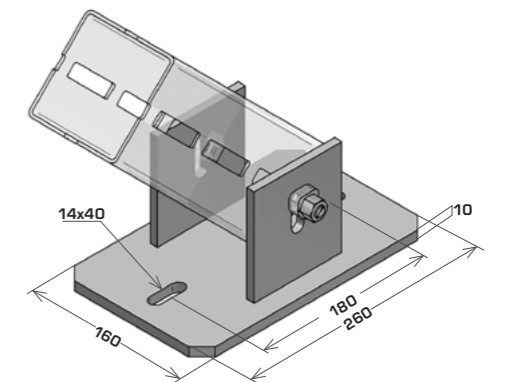
MOD 100 ANGLE-SHOE			
CODE	DESCRIPTION	PACK QTY	FINISH
MOD100AS	230 x 140 x 100	1	Galv



MOD 100 JOINT HOLDER VERTICAL			
CODE	DESCRIPTION	PACK QTY	FINISH
MOD100VHB	260 x 160 x 10	1	Galv



MOD 80 JOINT HOLDER VERTICAL			
CODE	DESCRIPTION	PACK QTY	FINISH
MOD80VHB	260 x 160 x 10	1	Galv

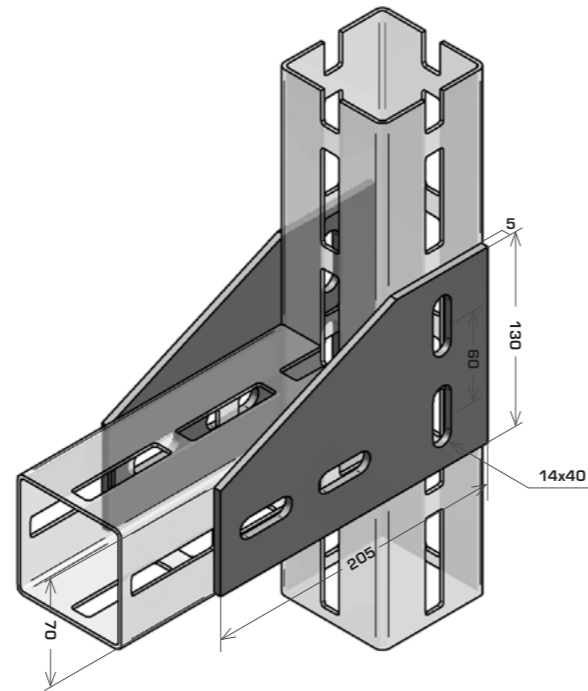




MOD 80 CORNER PLATE

CODE	DESCRIPTION	PACK QTY	FINISH
MOD80CP	205 x 130 x 6	1	Galv

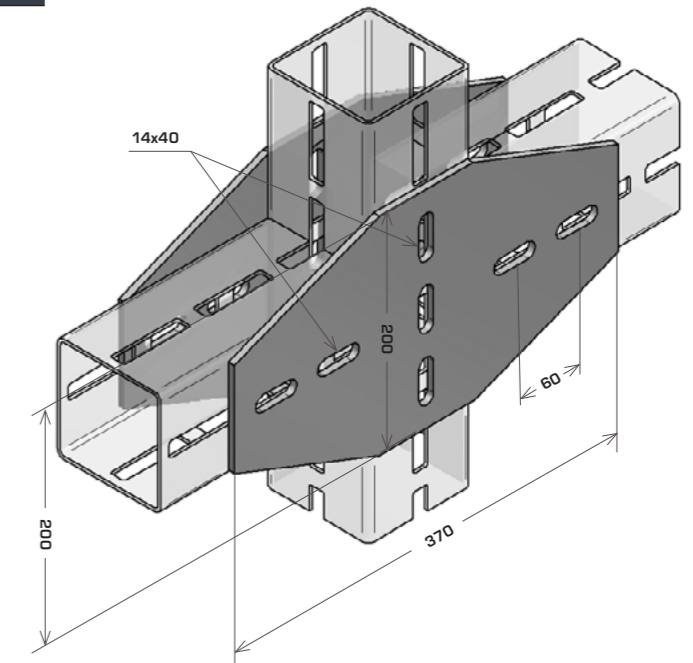
**Use in pairs only*



MOD 100 CROSS PLATE

CODE	DESCRIPTION	PACK QTY	FINISH
MOD100XP	370 x 200 x 6	1	Galv

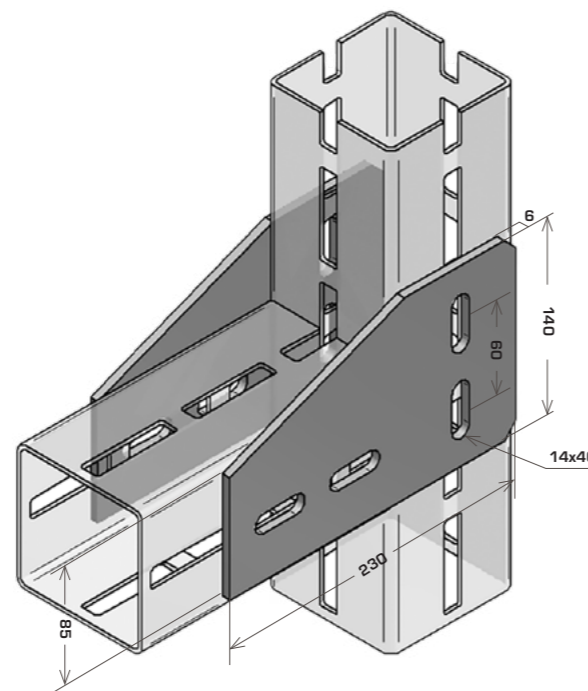
**Use in pairs only*



MOD 100 CORNER PLATE

CODE	DESCRIPTION	PACK QTY	FINISH
MOD100CP	230 x 140 x 6	1	Galv

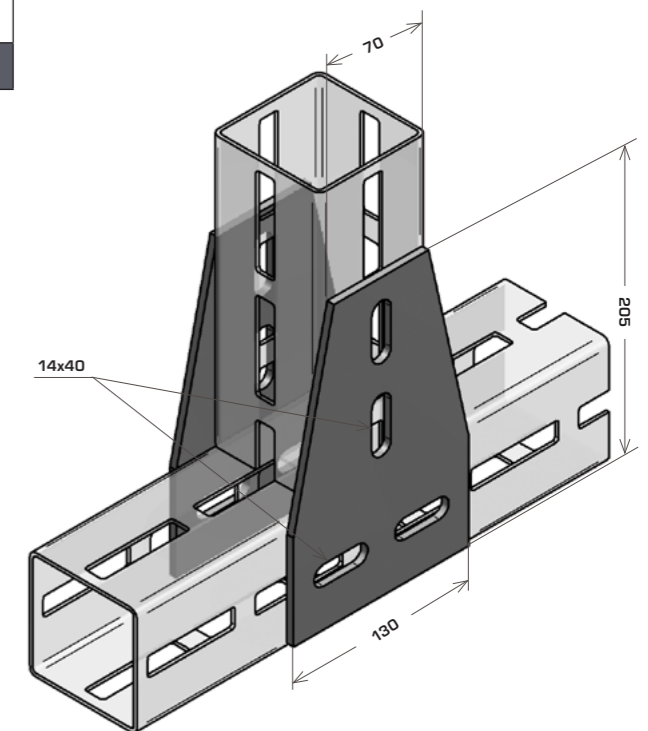
**Use in pairs only*



MOD 80 T-PLATE

CODE	DESCRIPTION	PACK QTY	FINISH
MOD80TP	130 x 205 x 6	1	Galv

**Use in pairs only*

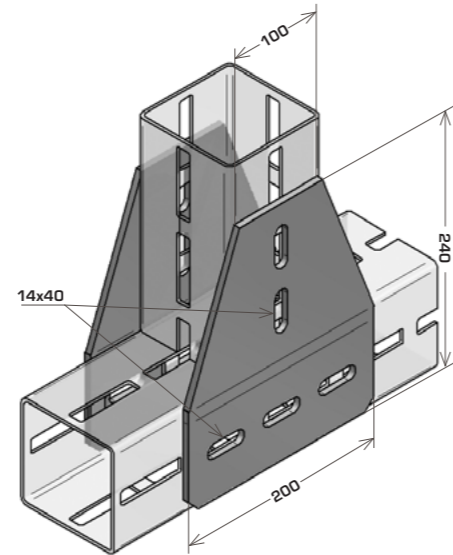




MOD 100 T-PLATE

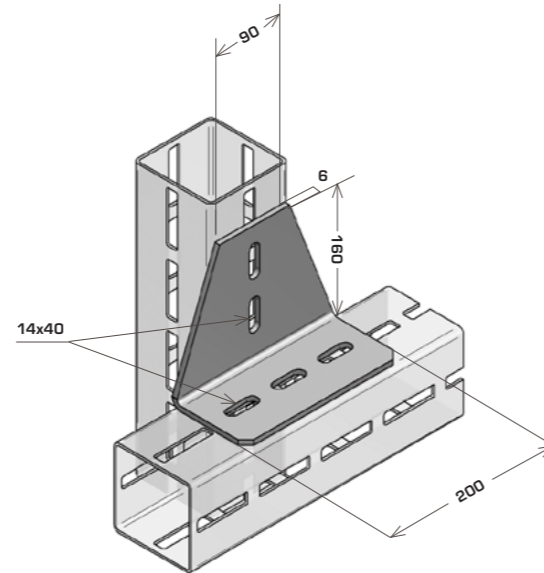
CODE	DESCRIPTION	PACK QTY	FINISH
MOD100TP	200 x 240 x 6	1	Galv

**Use in pairs only*



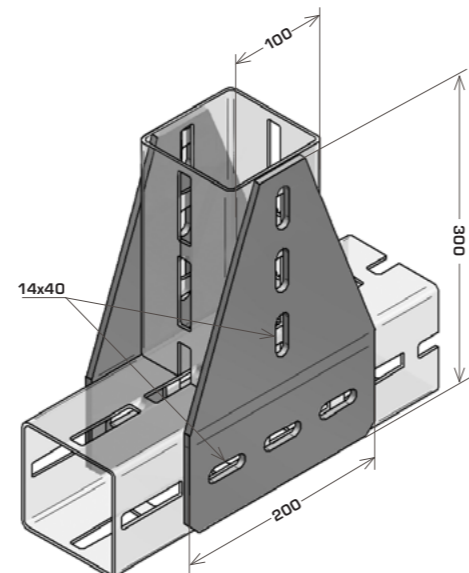
MOD 100 T-PLATE ANGLED

CODE	DESCRIPTION	PACK QTY	FINISH
MOD100ATP	200 x 160 x 6	1	Galv



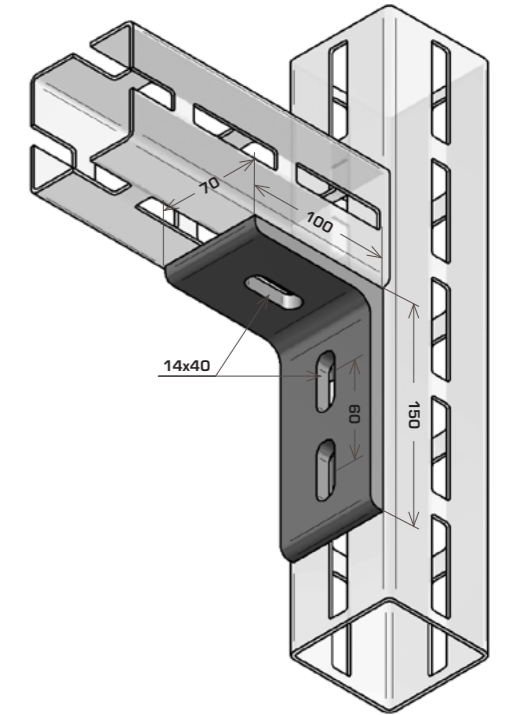
MOD 100 T-PLATE LARGE

CODE	DESCRIPTION	PACK QTY	FINISH
MOD100TPL	200 x 300 x 6	1	Galv



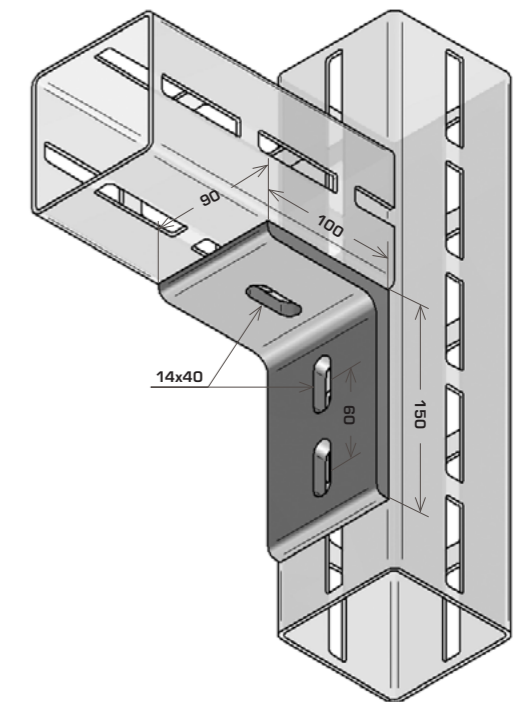
MOD 80, 3-HOLE ANGLE

CODE	DESCRIPTION	PACK QTY	FINISH
MOD80AB3H	150 x 100 x 70	1	Galv



MOD 100, 3-HOLE ANGLE

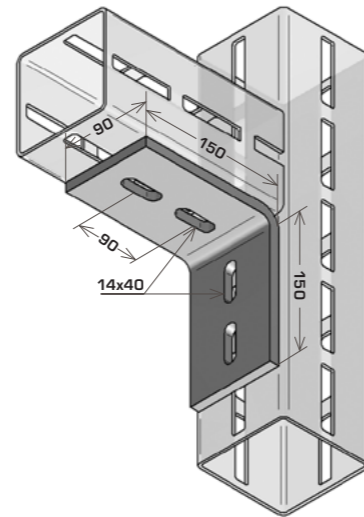
CODE	DESCRIPTION	PACK QTY	FINISH
MOD100AB3H	150 x 100 x 90	1	Galv





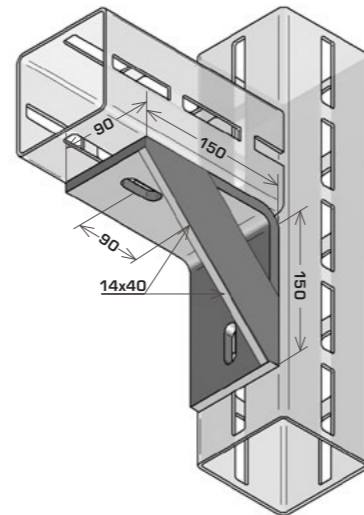
MOD 100, 4-HOLE ANGLE

CODE	DESCRIPTION	PACK QTY	FINISH
MOD100AB4H	150 x 150 x 90	1	Galv



4-HOLE ANGLE WITH BRACE

CODE	DESCRIPTION	PACK QTY	FINISH
MOD80AB4HB	150 x 150 x 70	1	Galv
MOD100AB4HB	150 x 150 x 90	1	Galv



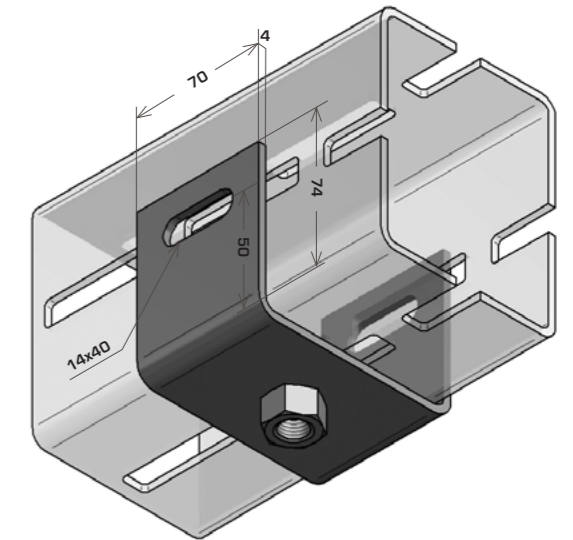
2-HOLE ANGLE BRACKET

CODE	DESCRIPTION	PACK QTY	FINISH
MOD100AB2H	100 x 100 x 90	1	Galv



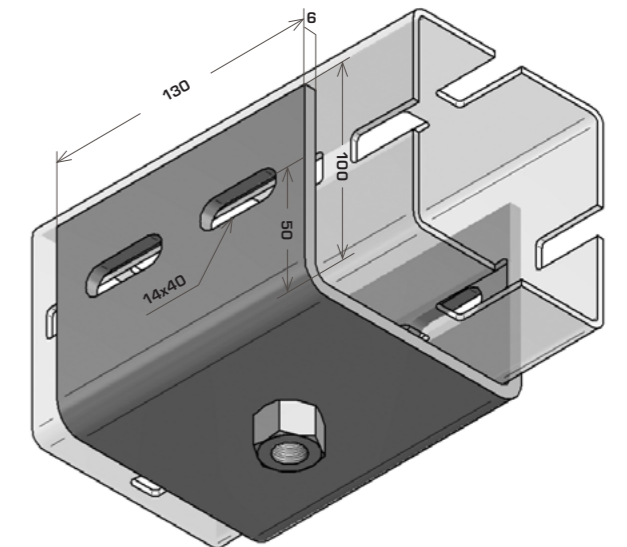
THREAD CONNECTOR

CODE	DESCRIPTION	PACK QTY	FINISH
MOD100TC12	70 x 100 x 4	1	Galv
MOD100TC16	70 x 100 x 4	1	Galv



MASSIVE CONNECTOR

CODE	DESCRIPTION	PACK QTY	FINISH
MOD100MTC16	130 x 100 x 6	1	Galv





MOD 80 CONSOLE			
CODE	DESCRIPTION	PACK QTY	FINISH
MOD80C960	80 x 80 x 960	1	Galv
MOD80C1440	80 x 80 x 1440	1	Galv

MOD 100 ANGLE COUPLER 90°			
CODE	DESCRIPTION	PACK QTY	FINISH
MOD100AC90	260 x 260	1	Galv

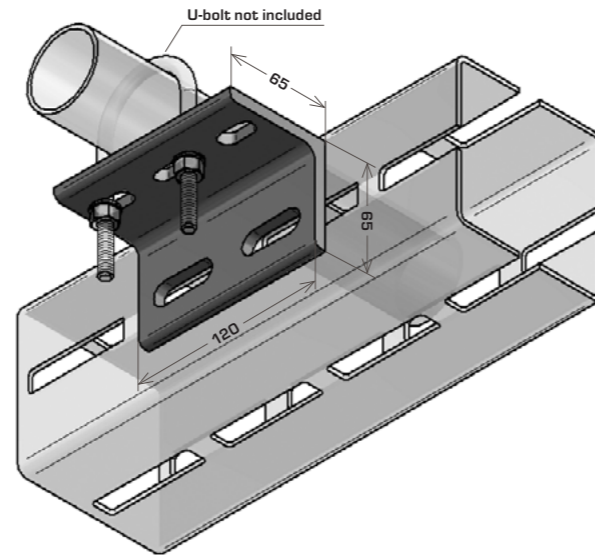
MOD 100 CONSOLE			
CODE	DESCRIPTION	PACK QTY	FINISH
MOD100C960	100 x 100 x 960	1	Galv
MOD100C1440	100 x 100 x 1440	1	Galv

MOD 100 ANGLE COUPLER 180°			
CODE	DESCRIPTION	PACK QTY	FINISH
MOD100AC180	260 x 390	1	Galv



PIPE HOLDER M10 Ø21.3 - 76.1 MM

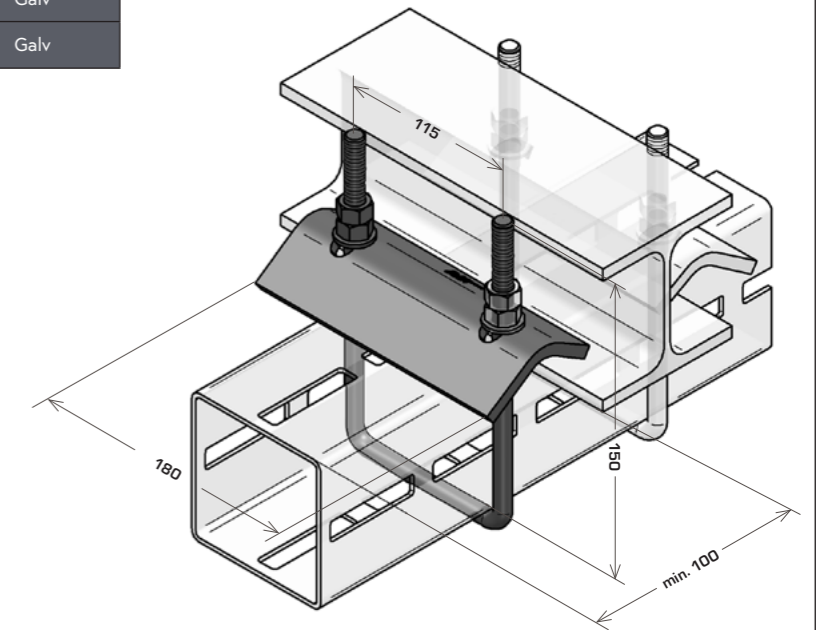
CODE	DESCRIPTION	PACK QTY	FINISH
MODPH130X65	120 x 65	1	Galv



CLAMPING BOW

CODE	DESCRIPTION	PACK QTY	FINISH
MOD80CB	80 x 150	1	Galv
MOD100CB	100 x 150	1	Galv

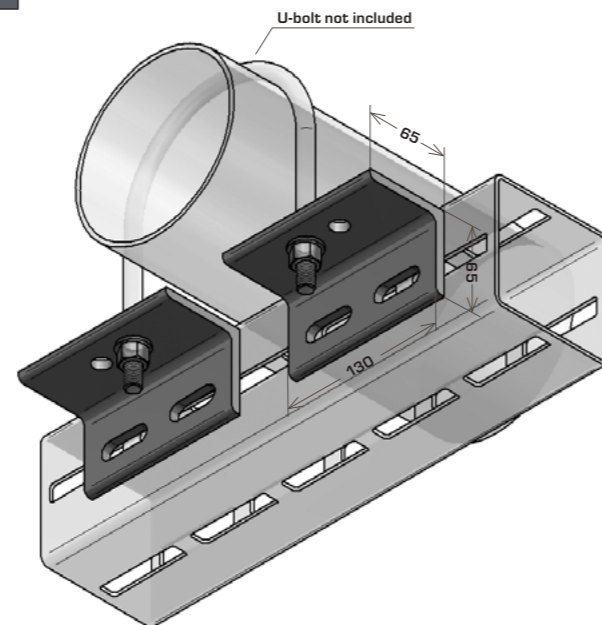
*Use in pairs only



PIPE HOLDER M10 Ø88.9 - 219.1 MM

CODE	DESCRIPTION	PACK QTY	FINISH
MODPH65X65	130 x 65	1	Galv

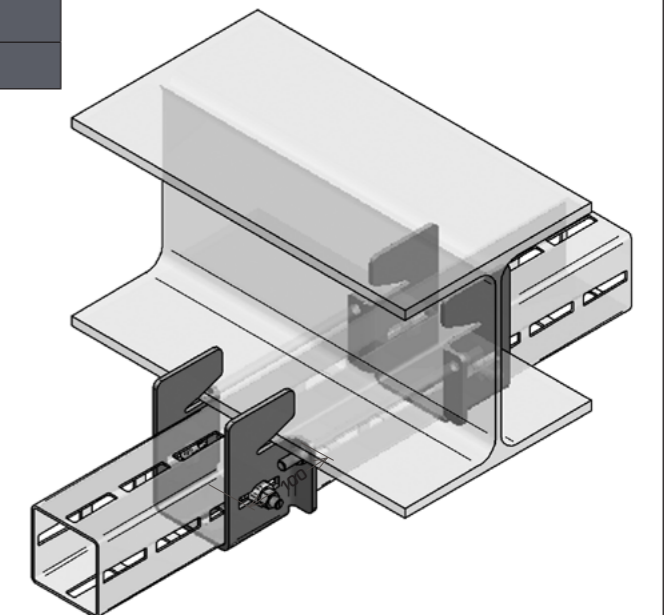
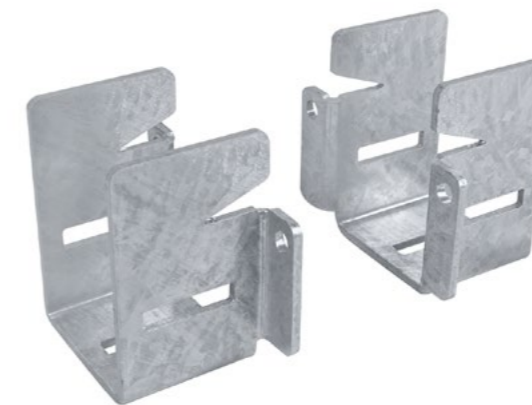
*Use in pairs only



CLAMPING SHOE

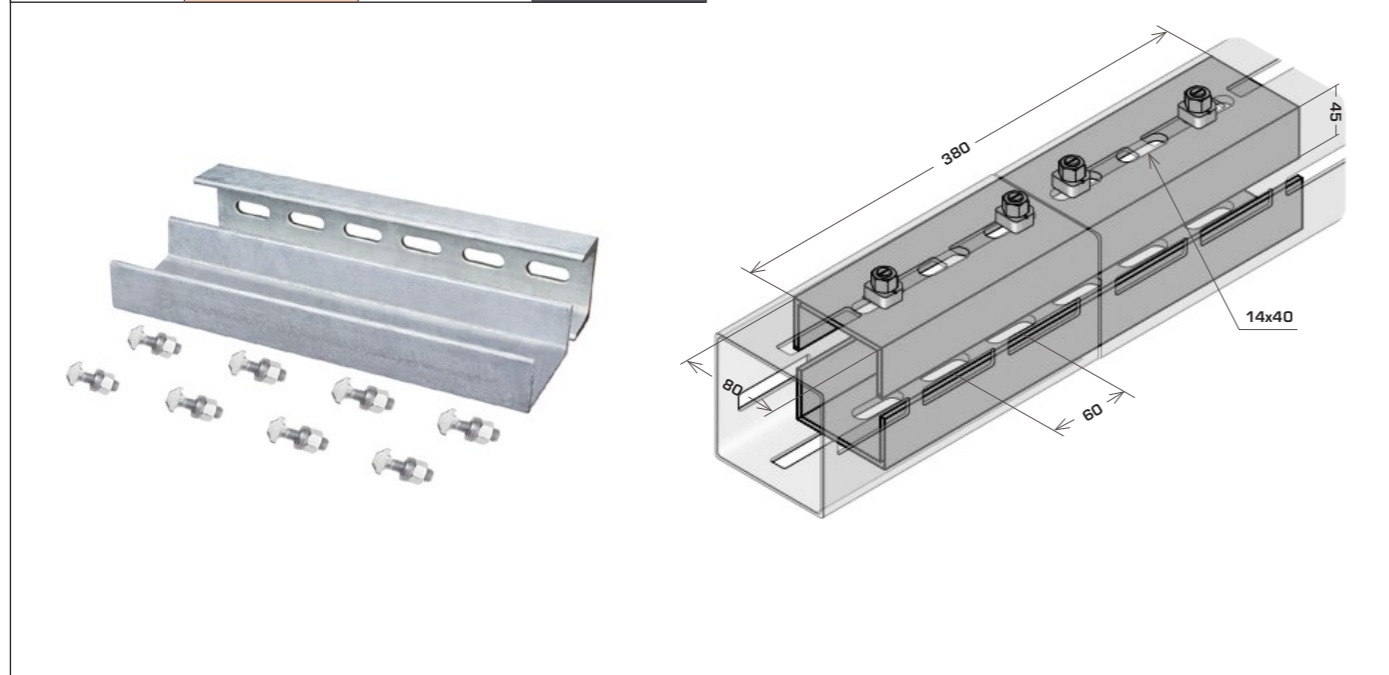
CODE	FLANGE THICKNESS	PACK QTY	FINISH
MODCS-100S	5-10	2	Galv
MODCS-100M	8-15	2	Galv
MODCS-100L	13-20	2	Galv
MODCS-100XL	19-30	2	Galv

*Use in pairs only

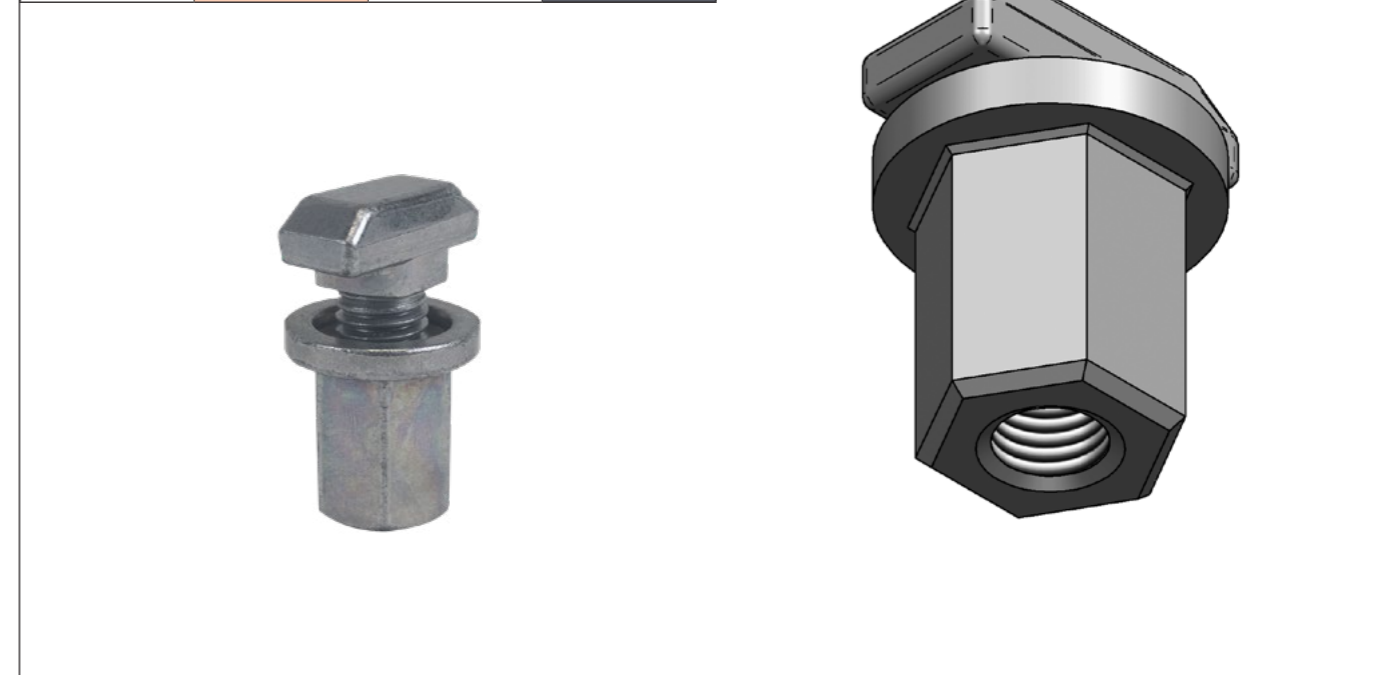




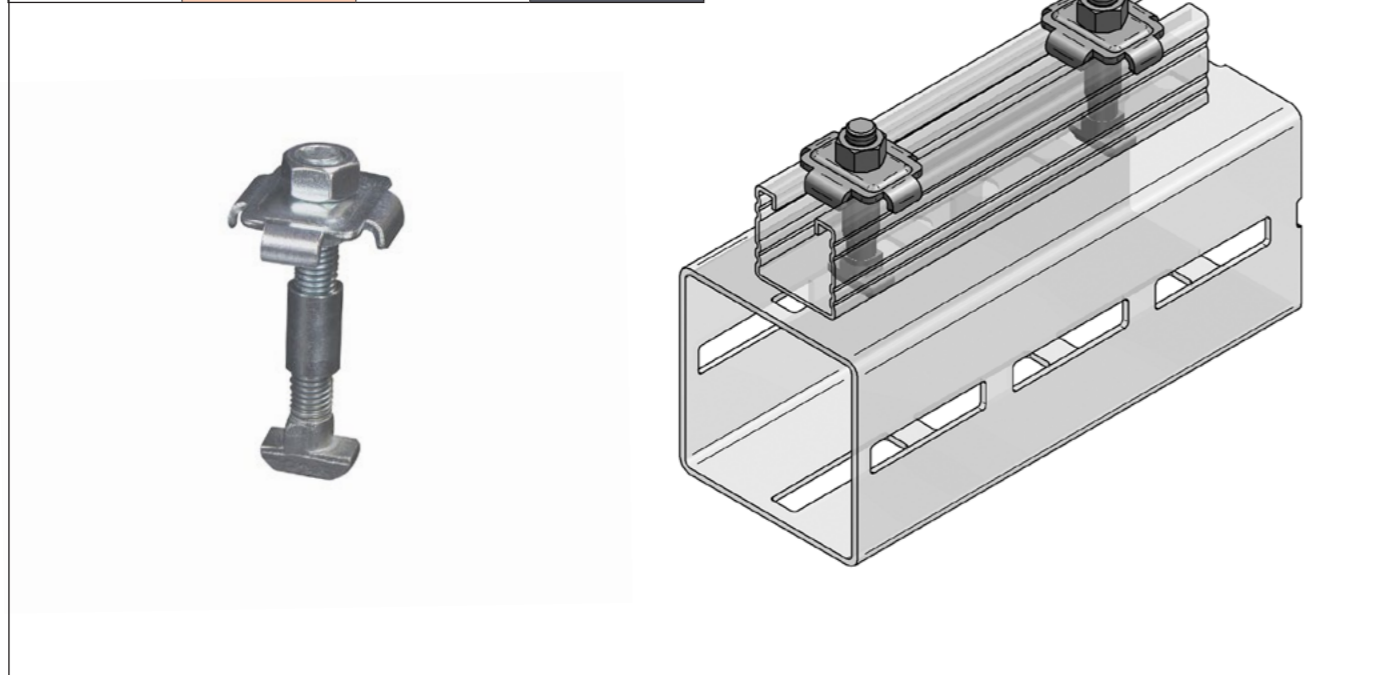
CONNECTOR SET			
CODE	DESCRIPTION	PACK QTY	FINISH
MOD80CS	380 x 80	1	Galv
MOD100CS	380 x 100	1	Galv



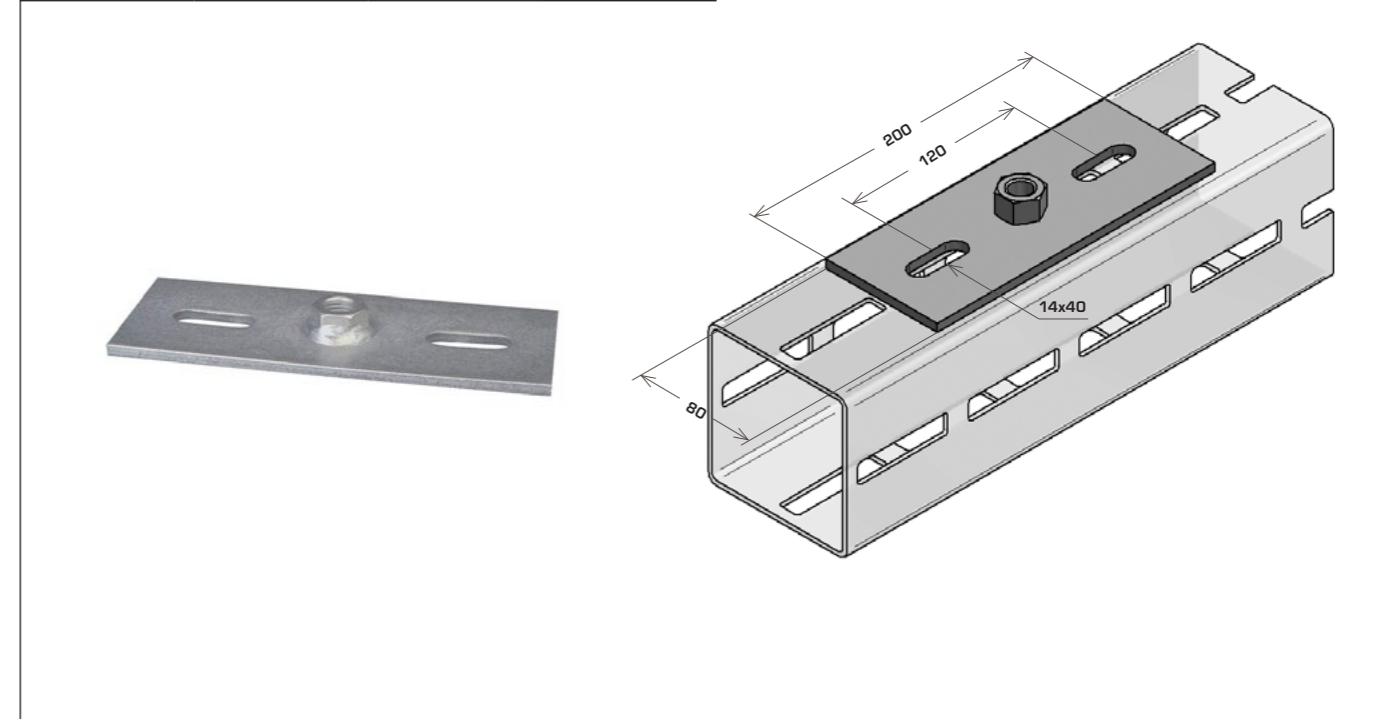
DIRECT CONNECTOR			
CODE	DESCRIPTION	PACK QTY	FINISH
MODDC-10	M10	100	Zinc
MODDC-12	M12	100	Zinc



C-PROFILE CONNECTOR			
CODE	DESCRIPTION	PACK QTY	FINISH
MODSC45	12 x 45	1	Galv
MODSC65	12 x 65	1	Galv



BASE PLATE M16			
CODE	DESCRIPTION	PACK QTY	FINISH
MOD100BP-16	200 x 80	1	Galv

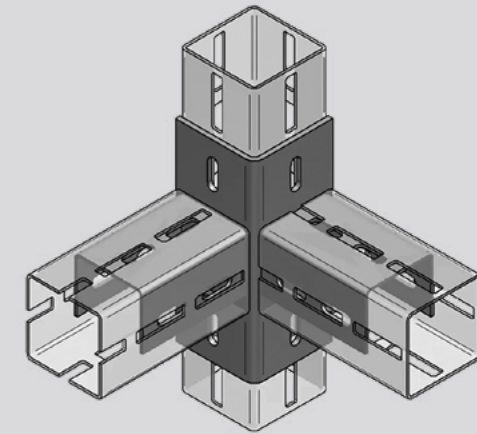


MODFRAME

German manufactured and designed Modular Framing System — *No Welding Required!*

ABOUT MODFRAME

FDG's ModFrame is ideally suited to supporting, heavy pipework, HVAC Equipment, large ducts and cable ladders. This high quality, German manufactured system has been extensively used on projects throughout New Zealand and the world. Fixed together using a system of unique modular components and fastened together with a patented T-bolt, ModFrame is an easy yet effective alternative to welded systems. ModFrame is bringing flexibility and efficiency to the construction industry and is becoming the new norm as a replacement for traditional costly welded frames.



KEY ADVANTAGES

- ✓ Eliminates the need for welding, drilling and galvanizing.
- ✓ Gain up to 60% time savings and significantly reduced material weights.
- ✓ All components are Hot Dipped Galvanized, with the exception of T-Bolts, which are zinc-nickel (electroplated).
- ✓ A standard range of system components are stocked and readily available.
- ✓ Its modular nature means site modifications are easily completed.
- ✓ Frames, supports and modules can be designed by the FDG Team to be fully compliant with NZS 1170.5.

ENGINEERING & DESIGN

FDG offers an engineering and design service for any frames or heavy-duty supports you require throughout your project. We will work together to co-ordinate your design and help you complete your project on-time and on budget.

A full engineering report will be supplied along with a package of layout drawings and a comprehensive bill-of-materials. Engineering data and CAD files are available upon request from the FDG Team, who can assist your internal teams with design in the early stages.

