

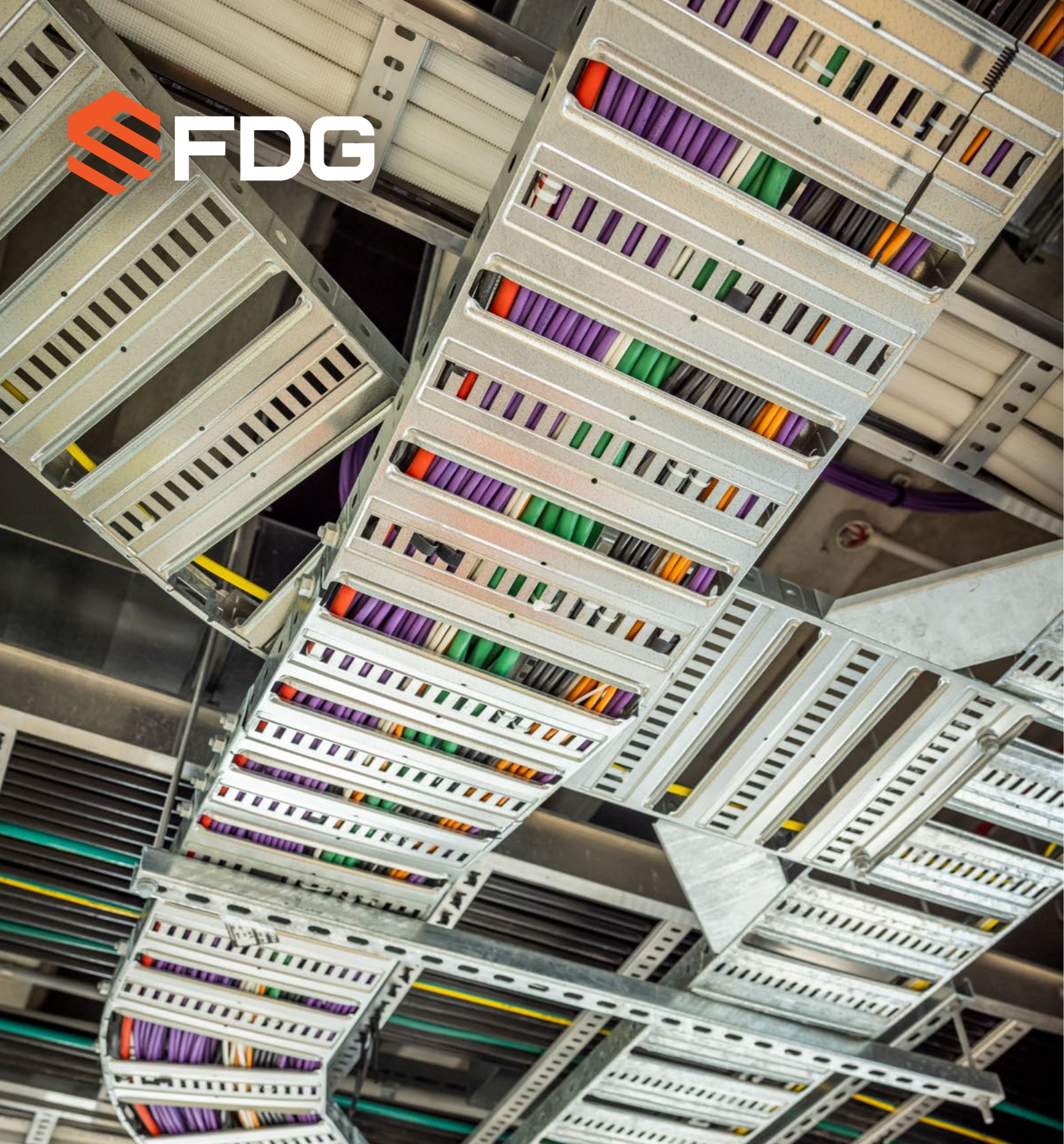


CABLE CONTAINMENT

CABLE TRAY	44
CABLE LADDER	50
ROLLED EDGE CABLE TRAY	64
CABLE BASKET	66

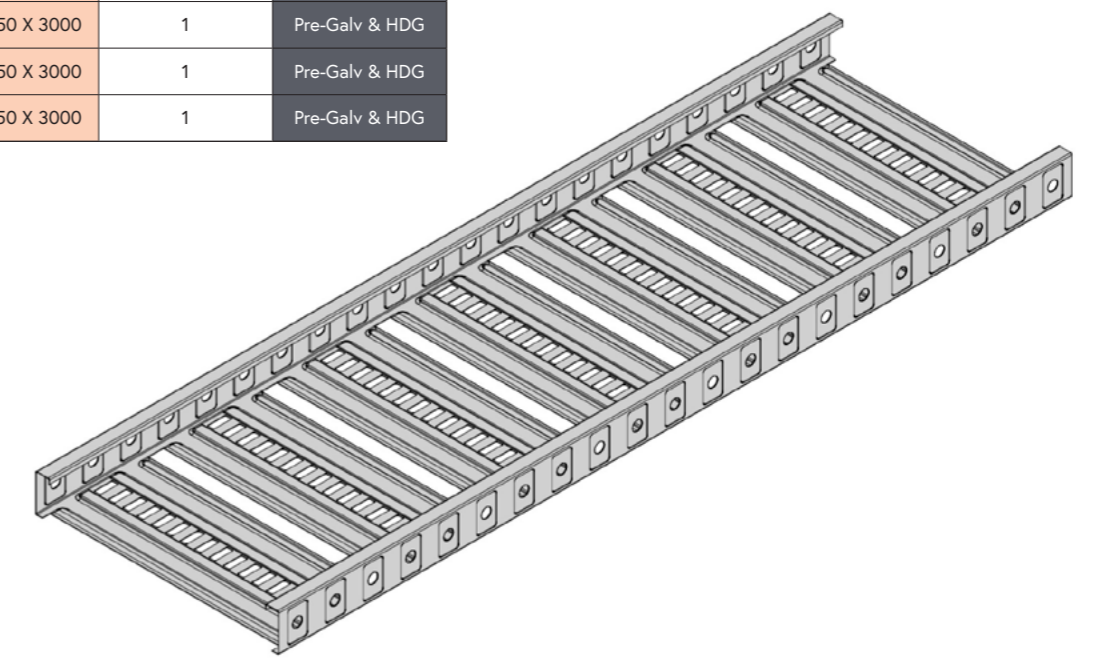
**KEEPING BUSINESS'S
MOVING & MAKING**

 www.fdg.nz.com
 sales@fdg.nz.com
 0800 555 464

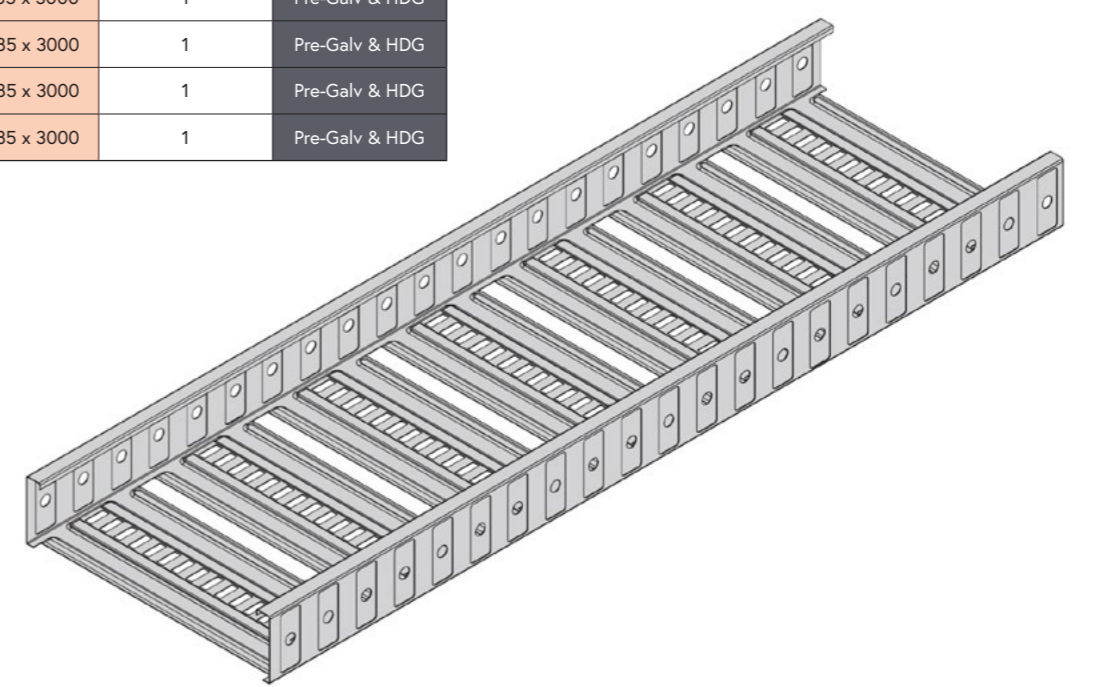


CABLE TRAY

CT3 CABLE TRAY			
CODE	DESCRIPTION	PACK QTY	FINISH
FDG-CT3150PG	150 X 50 X 3000	1	Pre-Galv & HDG
FDG-CT3300PG	300 X 50 X 3000	1	Pre-Galv & HDG
FDG-CT3450PG	450 X 50 X 3000	1	Pre-Galv & HDG
FDG-CT3600PG	600 X 50 X 3000	1	Pre-Galv & HDG



CT5 CABLE TRAY			
CODE	DESCRIPTION	PACK QTY	FINISH
FDG-CT5150PG	150 X 85 x 3000	1	Pre-Galv & HDG
FDG-CT5300PG	300 x 85 x 3000	1	Pre-Galv & HDG
FDG-CT5450PG	450 x 85 x 3000	1	Pre-Galv & HDG
FDG-CT5600PG	600 x 85 x 3000	1	Pre-Galv & HDG



CABLE TRAY

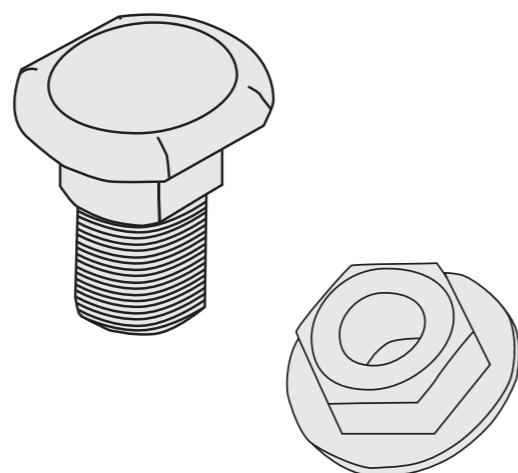


SPLICE BOLT M10 Z/P

CODE	DESCRIPTION	PACK QTY	FINISH
FDG-CTSB10Z	M10	1	Zinc & HDG & Stainless

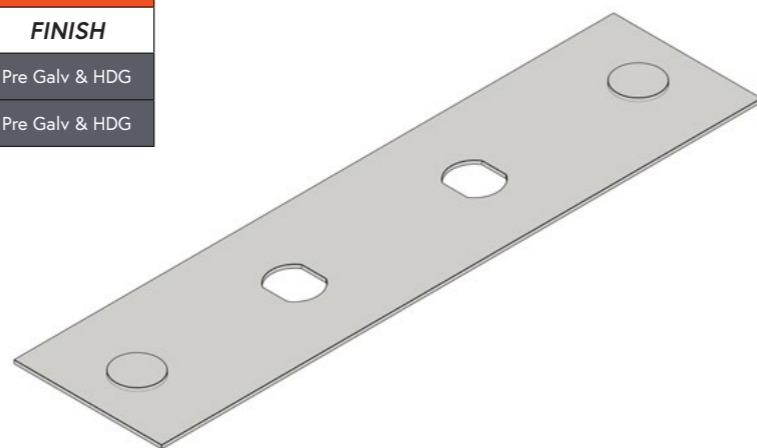
SPLICE FLANGE NUT M10 Z/P

CODE	DESCRIPTION	PACK QTY	FINISH
FDG-CTSN10Z	M10	1	Zinc & HDG & Stainless



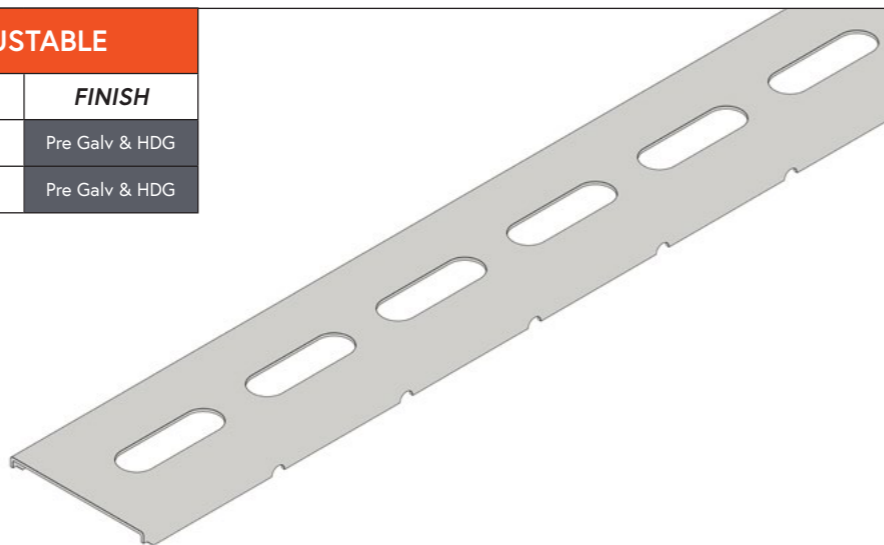
CABLE TRAY SPLICE PLATE

CODE	DESCRIPTION	PACK QTY	FINISH
FDG-CT3S	45 X 180	1	Pre Galv & HDG
FDG-CT5S	80 X 180	1	Pre Galv & HDG



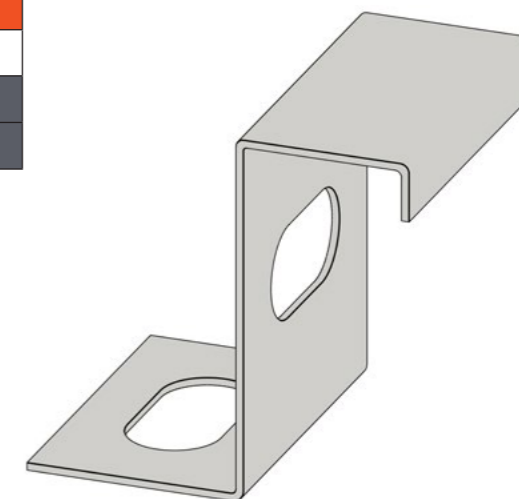
RADIUS PLATE (BENDS) - ADJUSTABLE

CODE	DESCRIPTION	PACK QTY	FINISH
FDG-CT3RP	50 X 3000	1	Pre Galv & HDG
FDG-CT5RP	85 X 3000	1	Pre Galv & HDG



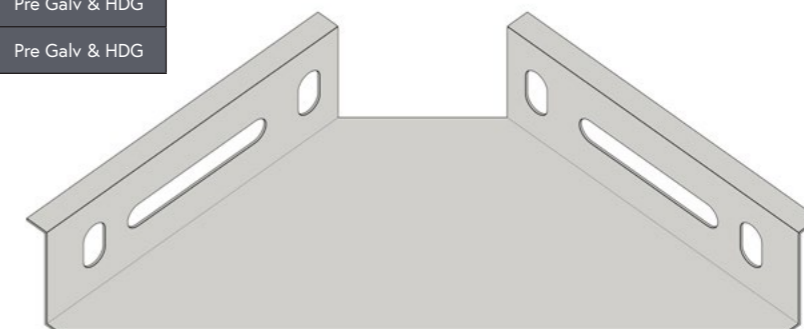
SIDE HOLD DOWN

CODE	DESCRIPTION	PACK QTY	FINISH
FDG-CT3HD	50 x 30	1	Pre Galv & HDG
FDG-CT5HD	85 x 30	1	Pre Galv & HDG



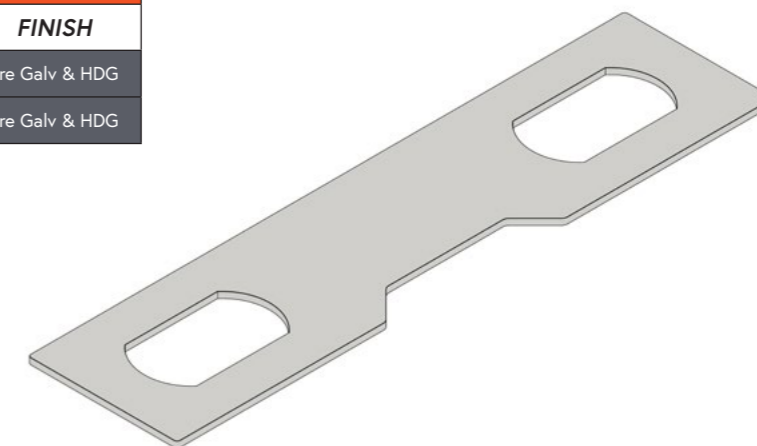
CABLE TRAY CORNER BRACKET

CODE	DESCRIPTION	PACK QTY	FINISH
FDG-CT3TXH	50 x 150	1	Pre Galv & HDG
FDG-CT5TXH	85 x 150	1	Pre Galv & HDG



LINK/RISER PLATE

CODE	DESCRIPTION	PACK QTY	FINISH
FDG-CT3RL	100 x 25	1	Pre Galv & HDG
FDG-CT5RL	100 x 55	1	Pre Galv & HDG

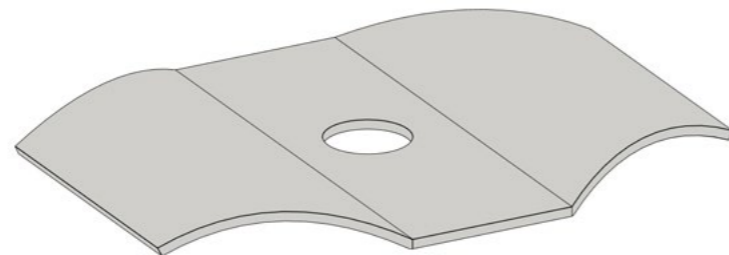




CENTRE HOLD DOWN

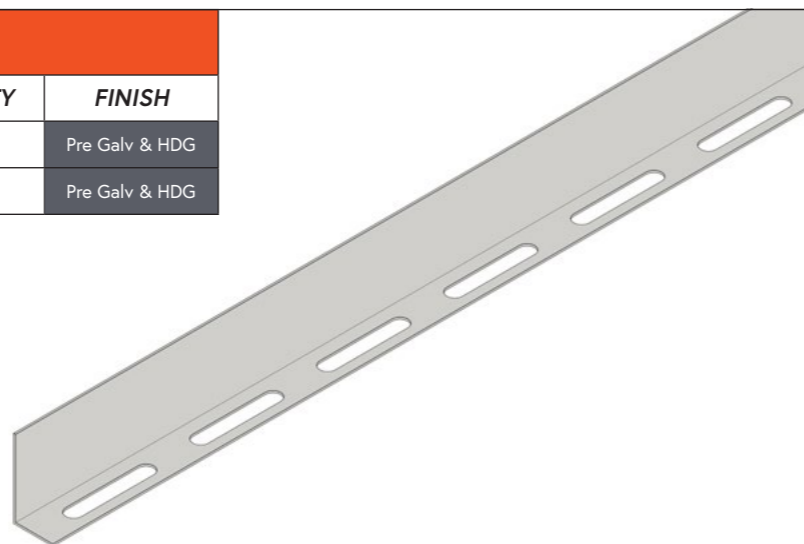
CODE	DESCRIPTION	PACK QTY	FINISH
FDG-CHDC	50 x 55	1	Pre Galv & HDG

*M8 Bolt Required



DIVIDER STRIP

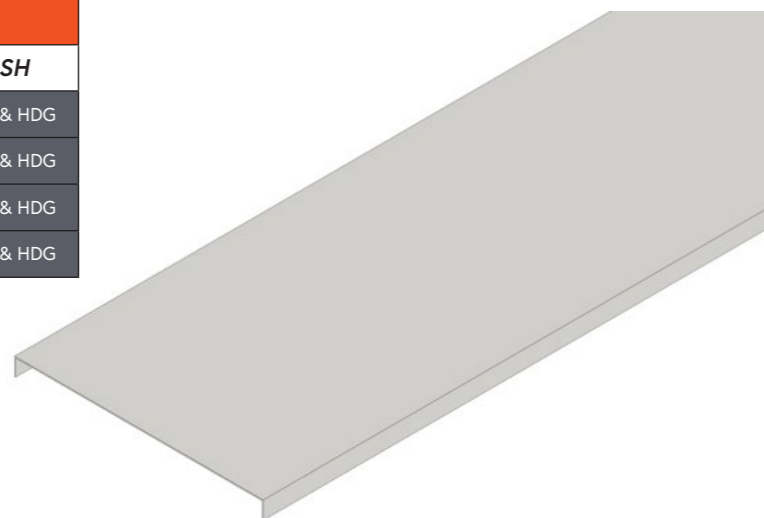
CODE	DESCRIPTION	PACK QTY	FINISH
FDG-CT3BSP	43 x 3000 to Suit CT3 Tray	1	Pre Galv & HDG
FDG-CT5BSP	75 x 3000 to Suit CT5 Tray	1	Pre Galv & HDG



FLAT COVER

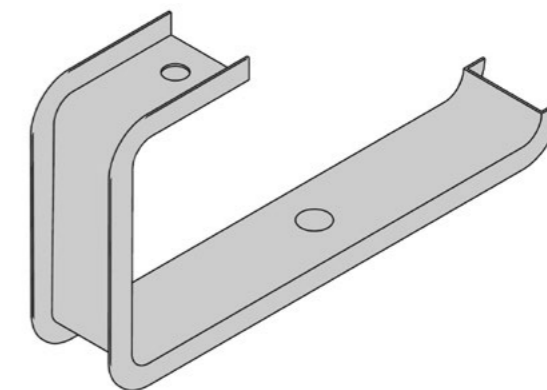
CODE	DESCRIPTION	PACK QTY	FINISH
FDG-CT3150FC	170 x 3000	1	Pre Galv & HDG
FDG-CT3300FC	320 x 3000	1	Pre Galv & HDG
FDG-CT3450FC	470 x 3000	1	Pre Galv & HDG
FDG-CT3600FC	620 x 3000	1	Pre Galv & HDG

*Peaked and Ventilates Covers available on request



C HANGER BRACKETS

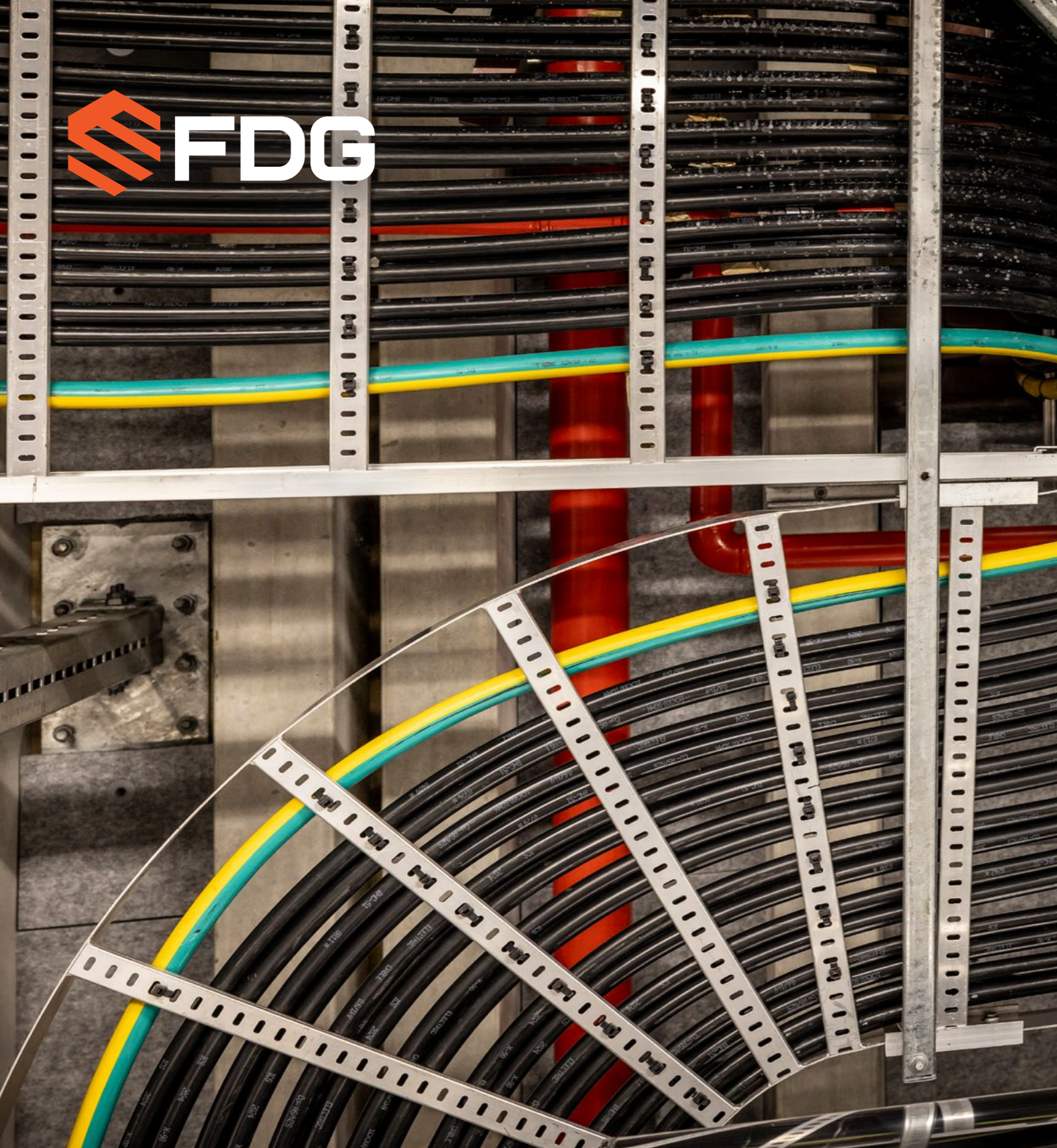
CODE	DESCRIPTION	PACK QTY	FINISH
FDG-CT3150SHB	To suit 150mm	1	Pre Galv & HDG
FDG-CT3300SHB	To suit 300mm	1	Pre Galv & HDG



FDG

POWDER COATING AVAILABLE

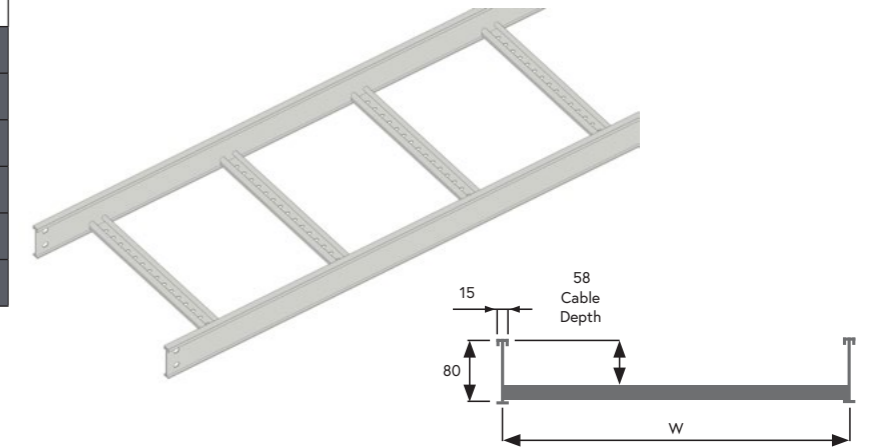
Get in touch today for more info on 0800 555 464!



NEMA N12A CABLE LADDER

CODE	DESCRIPTION	FINISH
FDGN12A150AL	150 x 80 x 6000	Aluminium
FDGN12A300AL	300 x 80 x 6000	Aluminium
FDGN12A450AL	450 x 80 x 6000	Aluminium
FDGN12A600AL	600 x 80 x 6000	Aluminium
FDGN12A750AL	750 x 80 x 6000	Aluminium
FDGN12A900AL	900 x 80 x 6000	Aluminium

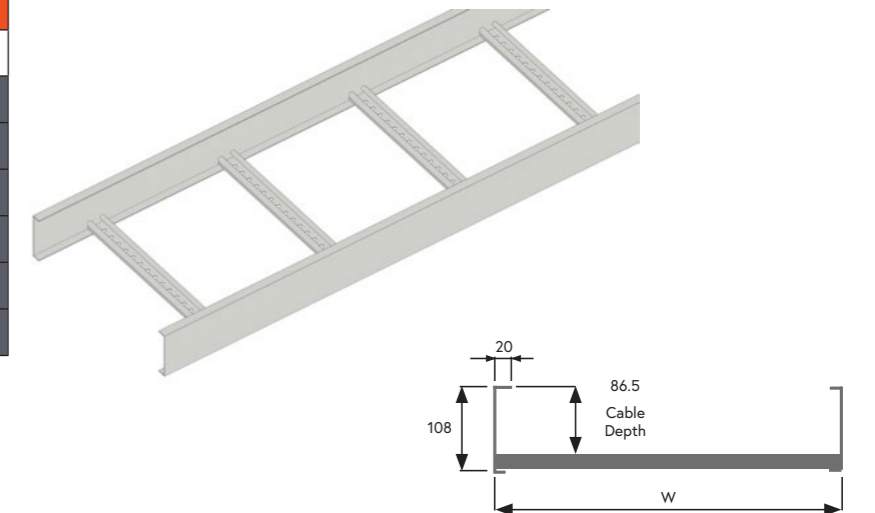
*Cable Laying Depth = 58mm



NEMA N12B CABLE LADDER

CODE	DESCRIPTION	FINISH
FDGN12B150AL	150 x 108 x 6000	Aluminium
FDGN12B300AL	300 x 108 x 6000	Aluminium
FDGN12B450AL	450 x 108 x 6000	Aluminium
FDGN12B600AL	600 x 108 x 6000	Aluminium
FDGN12B750AL	750 x 108 x 6000	Aluminium
FDGN12B900AL	900 x 108 x 6000	Aluminium

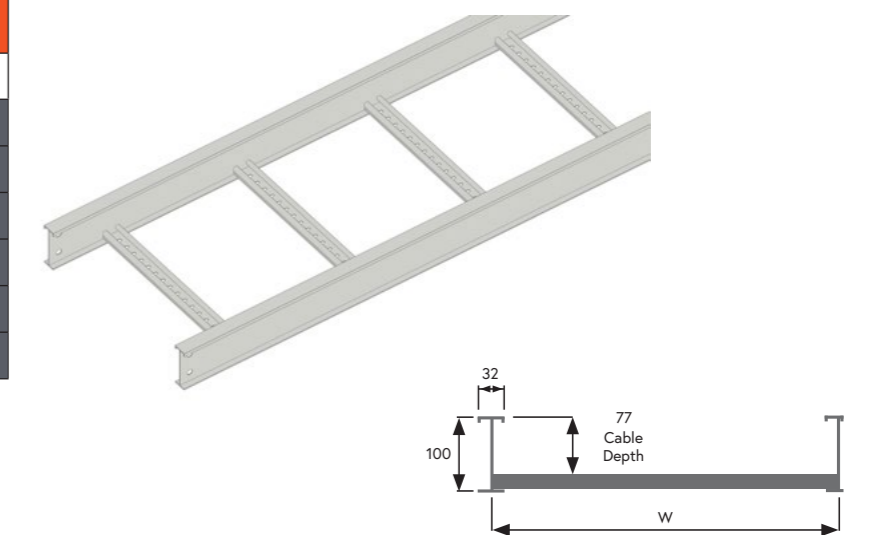
*Cable Laying Depth = 86.5mm



NEMA N16A CABLE LADDER

CODE	DESCRIPTION	FINISH
FDGN16A150AL	150 x 100 x 6000	Aluminium
FDGN16A300AL	300 x 100 x 6000	Aluminium
FDGN16A450AL	450 x 100 x 6000	Aluminium
FDGN16A600AL	600 x 100 x 6000	Aluminium
FDGN16A750AL	750 x 100 x 6000	Aluminium
FDGN16A900AL	900 x 100 x 6000	Aluminium

*Cable Laying Depth = 77mm

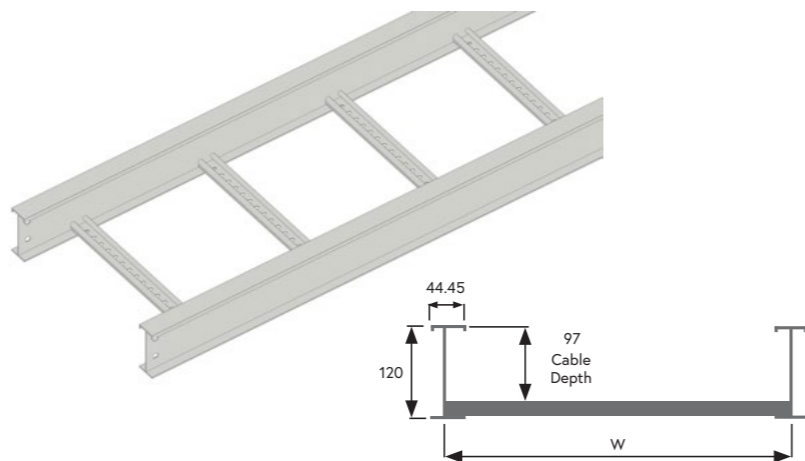


CABLE LADDER



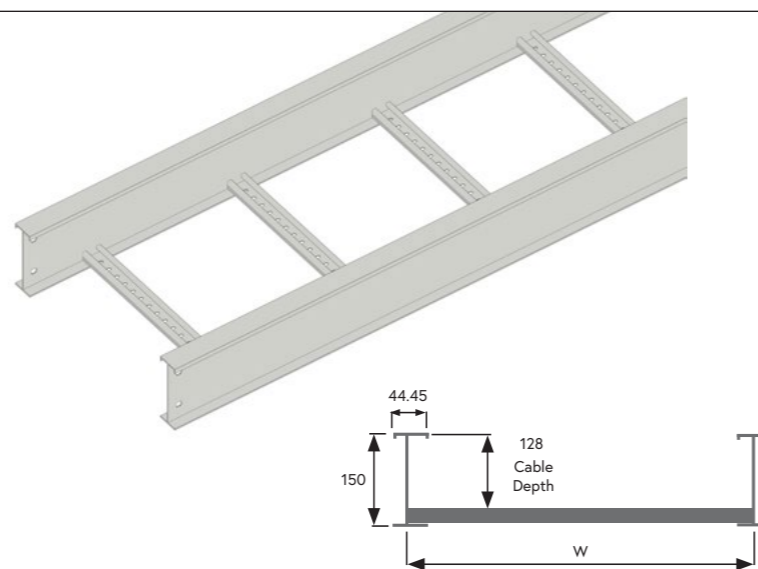
NEMA N20A CABLE LADDER		
CODE	DESCRIPTION	FINISH
FDGN20A150AL	150 x 120 x 6000	Aluminium
FDGN20A300AL	300 x 120 x 6000	Aluminium
FDGN20A450AL	450 x 120 x 6000	Aluminium
FDGN20A600AL	600 x 120 x 6000	Aluminium
FDGN20A750AL	750 x 120 x 6000	Aluminium
FDGN20A900AL	900 x 120 x 6000	Aluminium

*Cable Laying Depth = 97mm



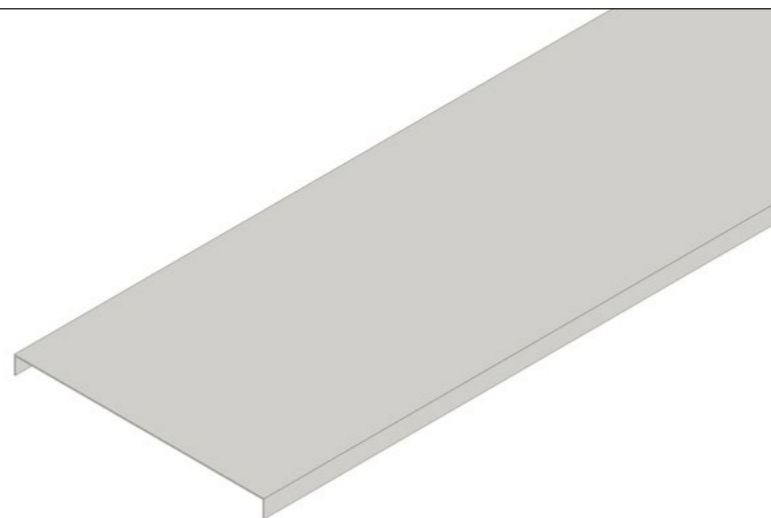
NEMA N20C CABLE LADDER		
CODE	DESCRIPTION	FINISH
FDGN20C150AL	150 x 150 x 6000	Aluminium
FDGN20C300AL	300 x 150 x 6000	Aluminium
FDGN20C450AL	450 x 150 x 6000	Aluminium
FDGN20C600AL	600 x 150 x 6000	Aluminium
FDGN20C750AL	750 x 150 x 6000	Aluminium
FDGN20C900AL	900 x 150 x 6000	Aluminium

*Cable Laying Depth = 128mm

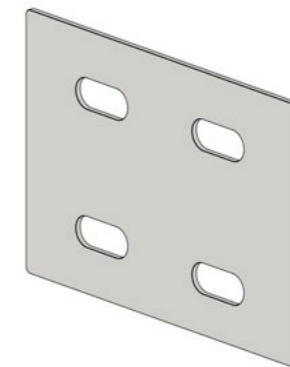


FLAT COVERS	
CODE	FINISH
FDGN12A(Width)FC	Aluminium
FDGN12B(Width)FC	Aluminium
FDGN16A(Width)FC	Aluminium
FDGN20A(Width)FC	Aluminium
FDGN20C(Width)FC	Aluminium

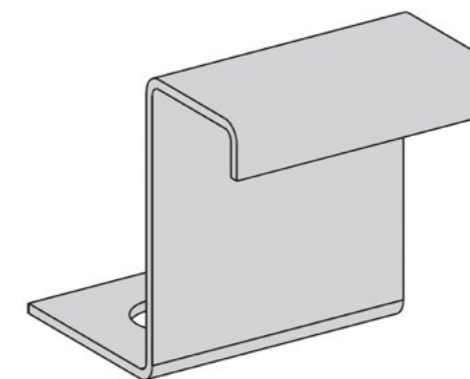
WIDTHS AVAILABLE
150, 300, 450, 600, 750, 900



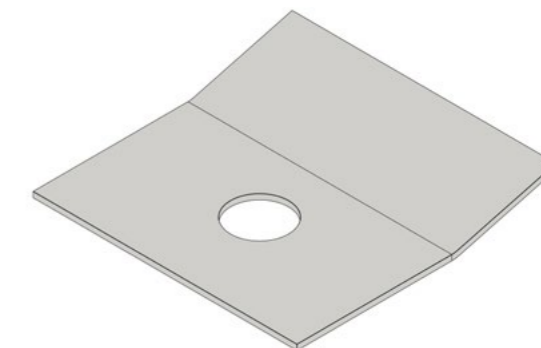
SPLICE PLATE		
CODE	DESCRIPTION	FINISH
FDGN12ASPAL	To suit NEMA 12A	Aluminium
FDGN12BSPAL	To suit NEMA 12B	Aluminium
FDGN16ASPAL	To suit NEMA 16A	Aluminium
FDGN20ASPAL	To suit NEMA 20A	Aluminium
FDGN20CSPAL	To suit NEMA 20C	Aluminium



SIDE HOLD DOWN		
CODE	DESCRIPTION	FINISH
FDGN12AHDCAL	To suit NEMA 12A	Aluminium
FDGN12BHDCAL	To suit NEMA 12B	Aluminium
FDGN16AHDCAL	To suit NEMA 16A	Aluminium
FDGN20AHDCAL	To suit NEMA 20A	Aluminium
FDGN20CHDCAL	To suit NEMA 20C	Aluminium



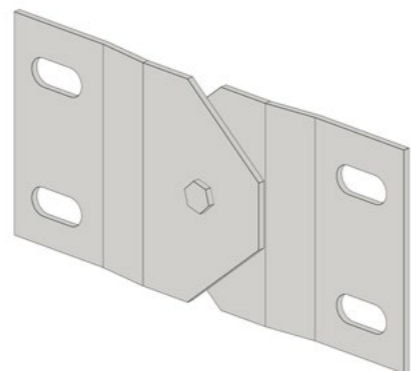
INTERNAL HOLD DOWN		
CODE	DESCRIPTION	FINISH
FDGCHDCAL	Internal Centre Hold Down Clamp	Aluminium





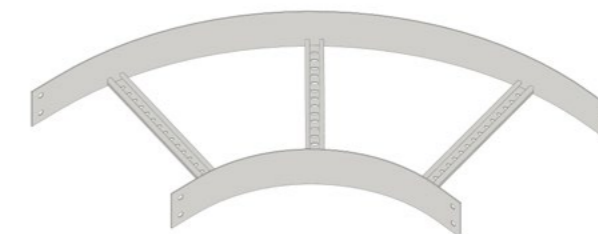
VERTICAL SPLICE PLATE

CODE	DESCRIPTION	FINISH
FDGN12AVSPAL	To suit NEMA 12A	Aluminium
FDGN12BVSPAL	To suit NEMA 12B	Aluminium
FDGN16AVSPAL	To suit NEMA 16A	Aluminium
FDGN20AVSPAL	To suit NEMA 20A	Aluminium
FDGN20CVSPAL	To suit NEMA 20C	Aluminium



90° BENDS

CODE	DESCRIPTION	FINISH
FDGN12A90B(Width)AL	12A	Aluminium
FDGN12B90B(Width)AL	12B	Aluminium
FDGN16A90B(Width)AL	16A	Aluminium
FDGN20A90B(Width)AL	20A	Aluminium
FDGN20C90B(Width)AL	20C	Aluminium



WIDTHS AVAILABLE

150, 300, 450, 600, 750, 900

*Standard Radius is 300mm, custom radius's available on request

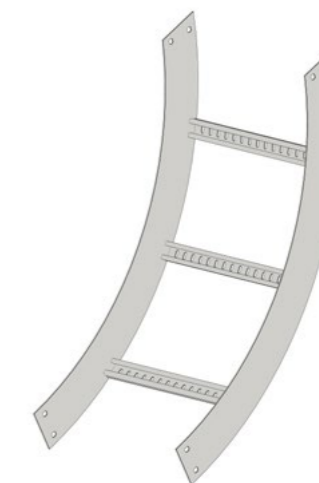
HORIZONTAL SPLICE PLATE

CODE	DESCRIPTION	FINISH
FDGN12AHSPAL	To suit NEMA 12A	Aluminium
FDGN12BHSPAL	To suit NEMA 12B	Aluminium
FDGN16AHSPAL	To suit NEMA 16A	Aluminium
FDGN20AHSPAL	To suit NEMA 20A	Aluminium
FDGN20CHSPAL	To suit NEMA 20C	Aluminium



INTERNAL RISERS

CODE	DESCRIPTION	FINISH
FDGN12AIR(Width)AL	12A	Aluminium
FDGN12BIR(Width)AL	12B	Aluminium
FDGN16AIR(Width)AL	16A	Aluminium
FDGN20AIR(Width)AL	20A	Aluminium
FDGN20CIR(Width)AL	20C	Aluminium



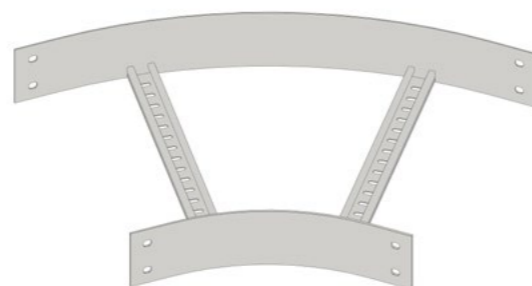
WIDTHS AVAILABLE

150, 300, 450, 600, 750, 900

*Standard Radius is 300mm, custom radius's available on request

45° BENDS

CODE	DESCRIPTION	FINISH
FDGN12A45B(Width)AL	12A	Aluminium
FDGN12B45B(Width)AL	12B	Aluminium
FDGN16A45B(Width)AL	16A	Aluminium
FDGN20A45B(Width)AL	20A	Aluminium
FDGN20C45B(Width)AL	20C	Aluminium



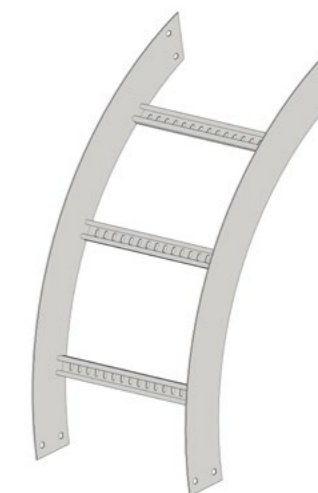
WIDTHS AVAILABLE

150, 300, 450, 600, 750, 900

*Standard Radius is 300mm, custom radius's available on request

EXTERNAL RISERS

CODE	DESCRIPTION	FINISH
FDGN12AER(Width)AL	12A	Aluminium
FDGN12BER(Width)AL	12B	Aluminium
FDGN16AER(Width)AL	16A	Aluminium
FDGN20AER(Width)AL	20A	Aluminium
FDGN20CER(Width)AL	20C	Aluminium



WIDTHS AVAILABLE

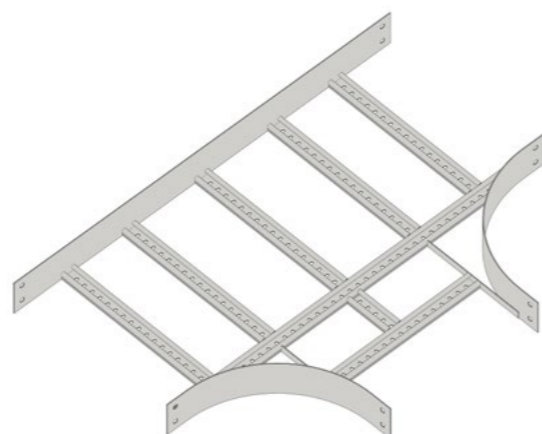
150, 300, 450, 600, 750, 900

*Standard Radius is 300mm, custom radius's available on request

EQUAL TEE'S		
CODE	DESCRIPTION	FINISH
FDGN12AET(Width)AL	12A	Aluminium
FDGN12BET(Width)AL	12B	Aluminium
FDGN16AET(Width)AL	16A	Aluminium
FDGN20AET(Width)AL	20A	Aluminium
FDGN20CET(Width)AL	20C	Aluminium

WIDTHS AVAILABLE
150, 300, 450, 600, 750, 900

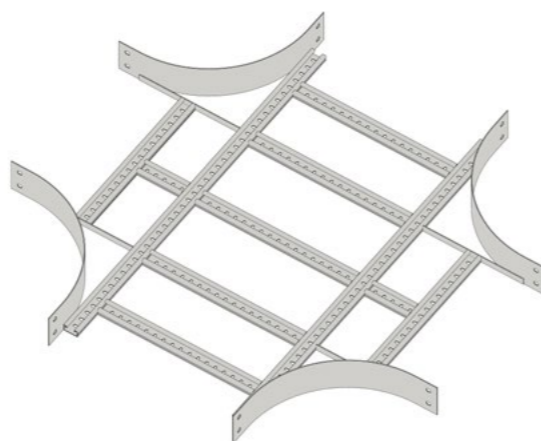
*Standard Radius is 300mm, custom radius's available on request
 **Unequal Tee's available on request



4-WAY CROSS		
CODE	DESCRIPTION	FINISH
FDGN12ACR(Width)3AL	12A	Aluminium
FDGN12BCR(Width)3AL	12B	Aluminium
FDGN16ACR(Width)3AL	16A	Aluminium
FDGN20ACR(Width)3AL	20A	Aluminium
FDGN20CCR(Width)3AL	20C	Aluminium

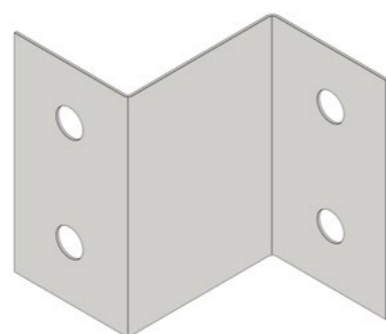
WIDTHS AVAILABLE
150, 300, 450, 600, 750, 900

*Standard Radius is 300mm, custom radius's available on request
 **Unequal Cross's available on request

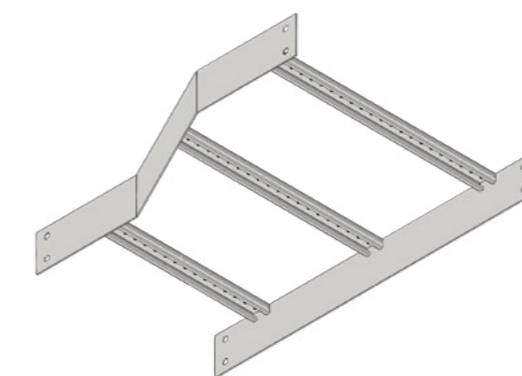


REDUCER SPLICE PLATE		
CODE	DESCRIPTION	FINISH
FDGN(Ladder Profile)R75AL	150mm Reduction	Aluminium
FDGN(Ladder Profile)R150AL	300mm Reduction	Aluminium

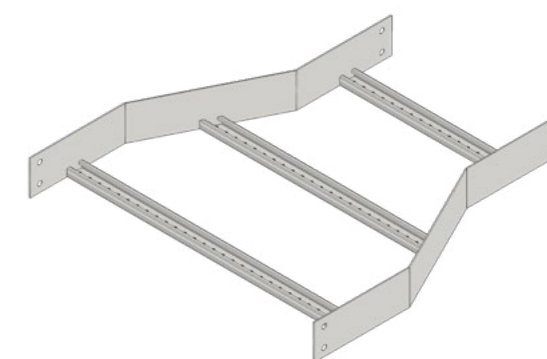
LADDER PROFILES AVAILABLE
12A, 12B, 16A, 20A, 20C



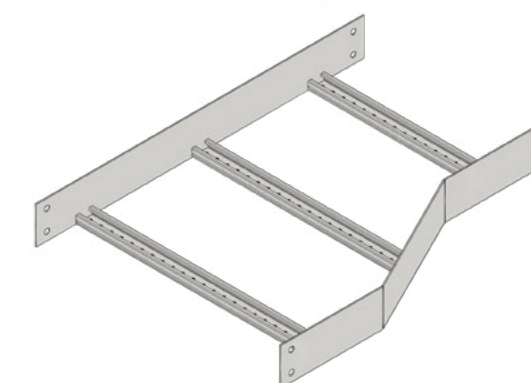
RIGHT HAND REDUCER		
CODE	DESCRIPTION	FINISH
FDGN12ARR(Original Width-New Width)AL	12A	Aluminium
FDGN12BRR(Original Width-New Width)AL	12B	Aluminium
FDGN16ARR(Original Width-New Width)AL	16A	Aluminium
FDGN20ARR(Original Width-New Width)AL	20A	Aluminium
FDGN20CRR(Original Width-New Width)AL	20C	Aluminium



CONCENTRIC REDUCER		
CODE	DESCRIPTION	FINISH
FDGN12ACR(Original Width-New Width)AL	12A	Aluminium
FDGN12BCR(Original Width-New Width)AL	12B	Aluminium
FDGN16ACR(Original Width-New Width)AL	16A	Aluminium
FDGN20ACR(Original Width-New Width)AL	20A	Aluminium
FDGN20CCR(Original Width-New Width)AL	20C	Aluminium

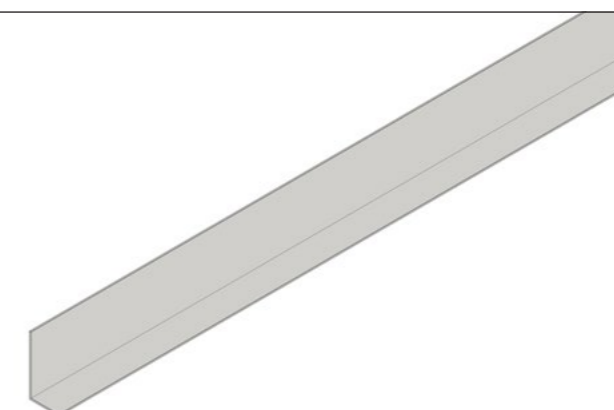


LEFT HAND REDUCER		
CODE	DESCRIPTION	FINISH
FDGN12ALR(Original Width-New Width)AL	12A	Aluminium
FDGN12BLR(Original Width-New Width)AL	12B	Aluminium
FDGN16ALR(Original Width-New Width)AL	16A	Aluminium
FDGN20ALR(Original Width-New Width)AL	20A	Aluminium
FDGN20CLR(Original Width-New Width)AL	20C	Aluminium



CABLE LADDER DIVIDER STRIPS

CODE	FINISH
FDGN12AADS	Aluminium
FDGN12BADS	Aluminium
FDGN16AADS	Aluminium
FDGN20AADS	Aluminium
FDGN20CADS	Aluminium

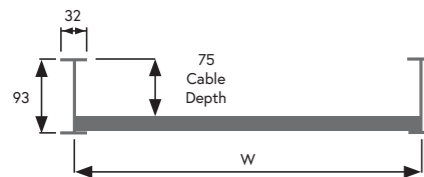
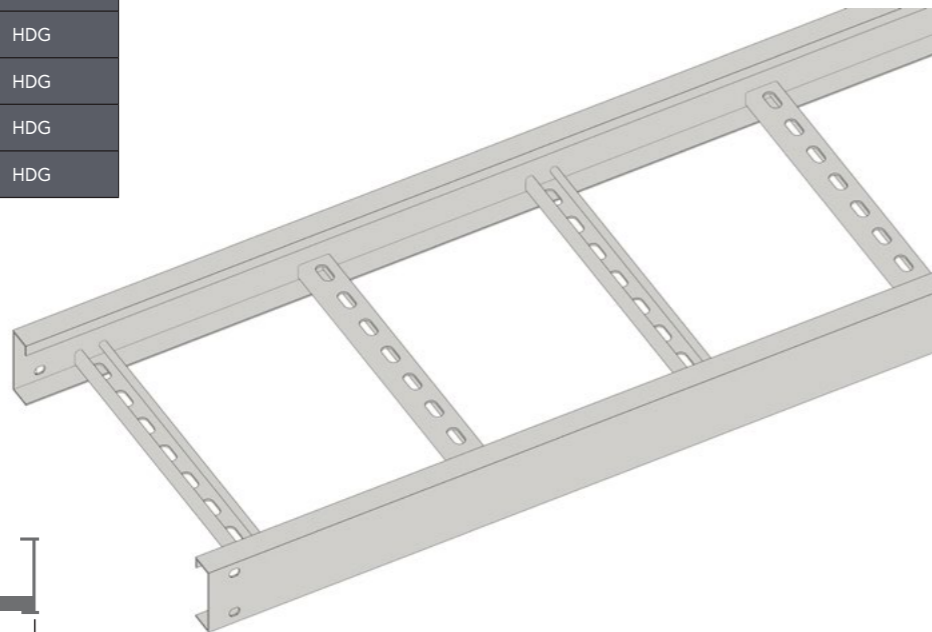




NEMA N16A CABLE LADDER

CODE	DESCRIPTION	FINISH
FDGN16A150G	150 x 100 x 6000	HDG
FDGN16A300G	300 x 100 x 6000	HDG
FDGN16A450G	450 x 100 x 6000	HDG
FDGN16A600G	600 x 100 x 6000	HDG
FDGN16A750G	750 x 100 x 6000	HDG
FDGN16A900G	900 x 100 x 6000	HDG

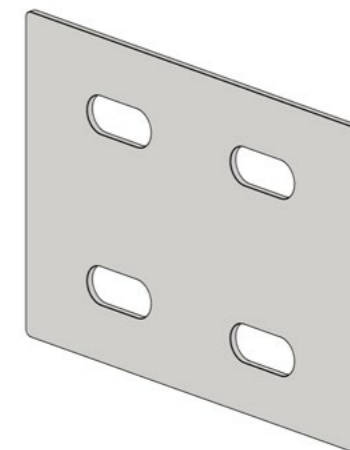
*Cable Laying Depth = 77mm
 **Stainless Available on Request



SPLICE PLATE

CODE	DESCRIPTION	FINISH
FDGN16ASPG	To suit NEMA 16A	HDG
FDGN20BSPG	To suit NEMA 20B	HDG

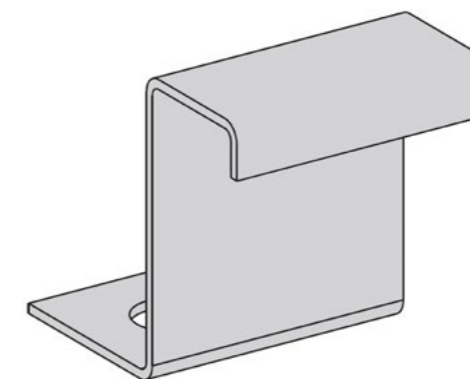
*Stainless Available on Request



SIDE HOLD DOWN

CODE	DESCRIPTION	FINISH
FDGN16AHDCG	To suit NEMA 16A	HDG
FDGN20BHDCG	To suit NEMA 20B	HDG

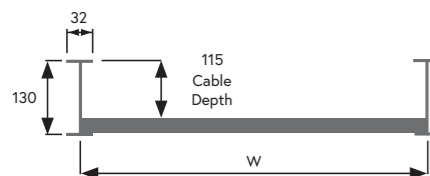
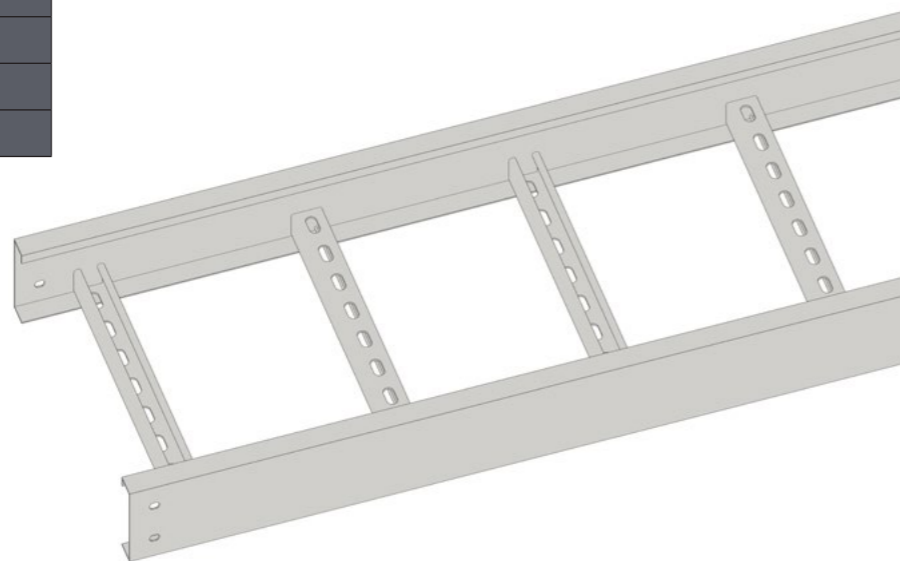
*Stainless Available on Request



NEMA N20B CABLE LADDER

CODE	DESCRIPTION	FINISH
FDGN20B150G	150 x 150 x 6000	HDG
FDGN20B300G	300 x 150 x 6000	HDG
FDGN20B450G	450 x 150 x 6000	HDG
FDGN20B600G	600 x 150 x 6000	HDG
FDGN20B750G	750 x 150 x 6000	HDG
FDGN20B900G	900 x 150 x 6000	HDG

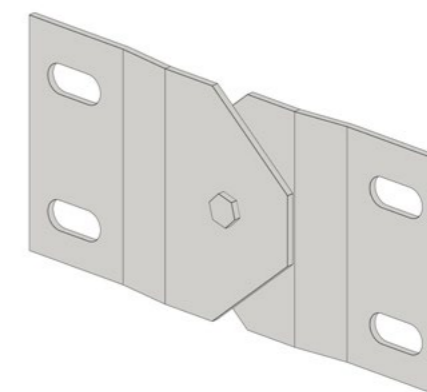
*Cable Laying Depth = 135mm
 **Stainless Available on Request



VERTICAL SPLICE PLATE

CODE	DESCRIPTION	FINISH
FDGN16AVSPG	To suit NEMA 16A	HDG
FDGN20BVSPG	To suit NEMA 20B	HDG

*Stainless Available on Request

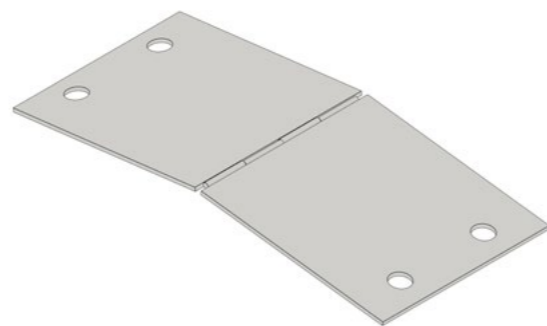




HORIZONTAL SPLICE PLATE

CODE	DESCRIPTION	FINISH
FDGN16AHSPG	To suit NEMA 16A	HDG
FDGN20BHSPG	To suit NEMA 20B	HDG

*Stainless Available on Request



INTERNAL RISERS

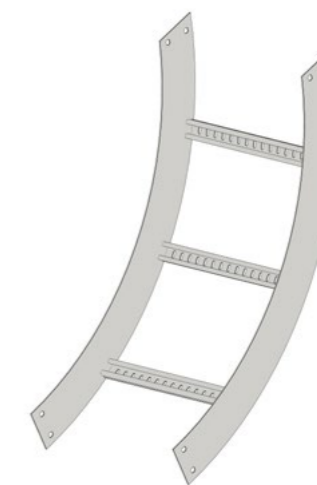
CODE	DESCRIPTION	FINISH
FDGN16AIR(Width)G	16A	HDG
FDGN20BIR(Width)G	20B	HDG

WIDTHS AVAILABLE

150, 300, 450, 600, 750, 900

*Stainless Available on Request

**Standard Radius is 300mm, custom radius's available on request



45° BENDS

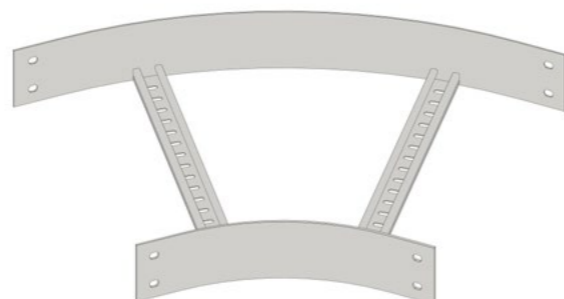
CODE	DESCRIPTION	FINISH
FDGN16A45B(Width)G	16A	HDG
FDGN20B45B(Width)G	20B	HDG

WIDTHS AVAILABLE

150, 300, 450, 600, 750, 900

*Stainless Available on Request

**Standard Radius is 300mm, custom radius's available on request



EXTERNAL RISERS

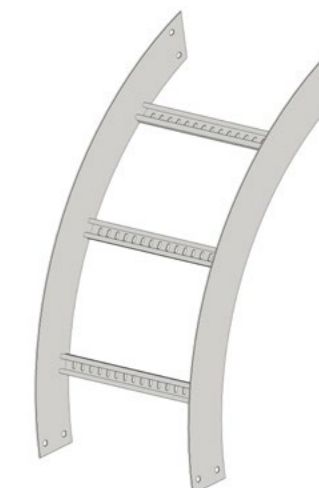
CODE	DESCRIPTION	FINISH
FDGN16AER(Width)G	16A	HDG
FDGN20BER(Width)G	20B	HDG

WIDTHS AVAILABLE

150, 300, 450, 600, 750, 900

*Stainless Available on Request

**Standard Radius is 300mm, custom radius's available on request



90° BENDS

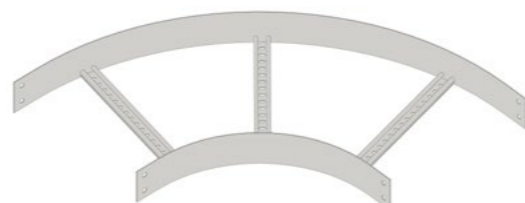
CODE	DESCRIPTION	FINISH
FDGN16A90B(Width)G	16A	HDG
FDGN20B90B(Width)G	20B	HDG

WIDTHS AVAILABLE

150, 300, 450, 600, 750, 900

*Stainless Available on Request

**Standard Radius is 300mm, custom radius's available on request



EQUAL TEE'S

CODE	DESCRIPTION	FINISH
FDGN16AET(Width)G	16A	HDG
FDGN20BET(Width)G	20B	HDG

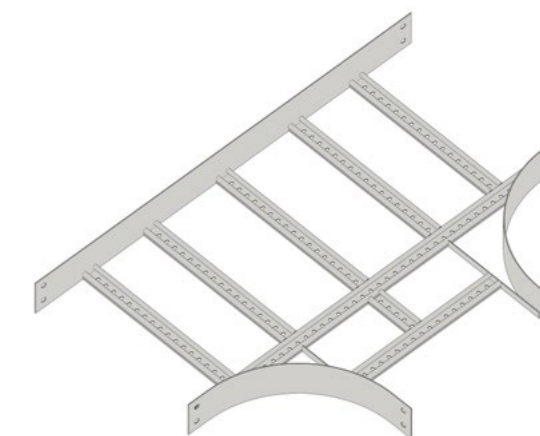
WIDTHS AVAILABLE

150, 300, 450, 600, 750, 900

*Stainless Available on Request

**Standard Radius is 300mm, custom radius's available on request

***Unequal available on request





4-WAY CROSS

CODE	DESCRIPTION	FINISH
FDGN16ACR(Width)3G	16A	HDG
FDGN20BCR(Width)3G	20B	HDG

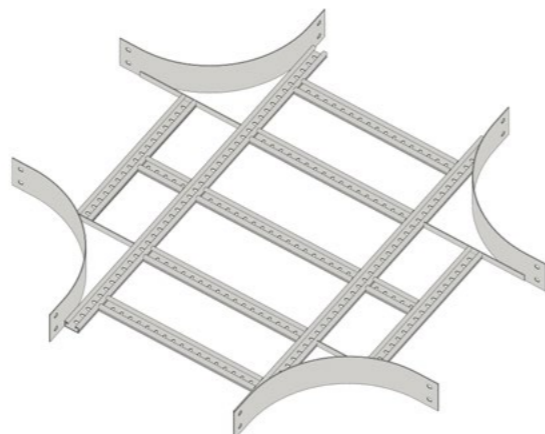
WIDTHS AVAILABLE

150, 300, 450, 600, 750, 900

*Stainless Available on Request

**Standard Radius is 300mm, custom radius's available on request

***Unequal available on request



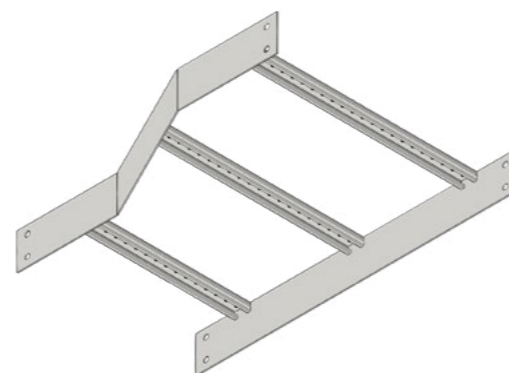
RIGHT HAND REDUCER

CODE	DESCRIPTION	FINISH
FDGN16ARR(Original Width-New Width)G	16A	Aluminium
FDGN20BRR(Original Width-New Width)G	20B	Aluminium

WIDTHS AVAILABLE

150, 300, 450, 600, 750, 900

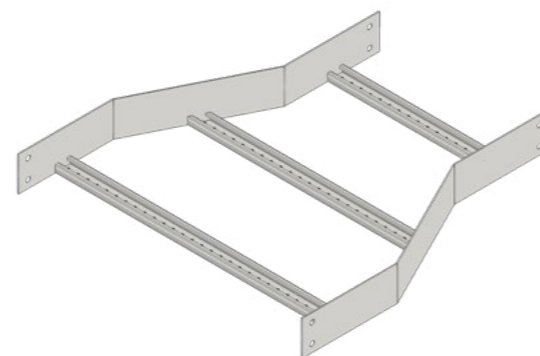
*Stainless Available on Request



CONCENTRIC REDUCER

CODE	DESCRIPTION	FINISH
FDGN16ACR(Original Width-New Width)G	16A	Aluminium
FDGN20BCR(Original Width-New Width)G	20B	Aluminium

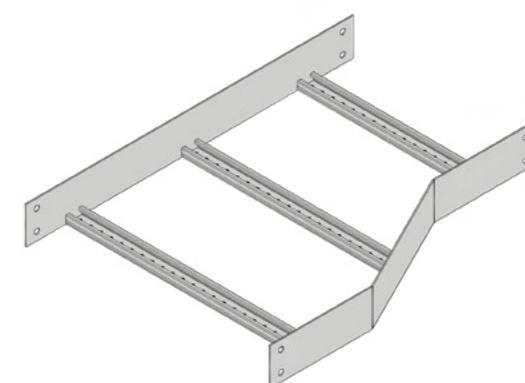
*Stainless Available on Request



LEFT HAND REDUCER

CODE	DESCRIPTION	FINISH
FDGN16ALR(Original Width-New Width)G	16A	Aluminium
FDGN20BLR(Original Width-New Width)G	20B	Aluminium

*Stainless Available on Request



FDG CABLE TRUNKING

FDG Trunking a neat, secure, and compliant solution for routing and protecting electrical wiring

• Clean & Organised Installations

Keep cables tidy, protected, and out of sight — ideal for offices, plant rooms, and service corridors.

• Durable & Easy to Install

Made from high-quality materials (steel or PVC), designed for fast and secure installation.

• Wide Range of Sizes & Accessories

Available in multiple sizes, with matching bends, tees, reducers, and fixings for a seamless system.

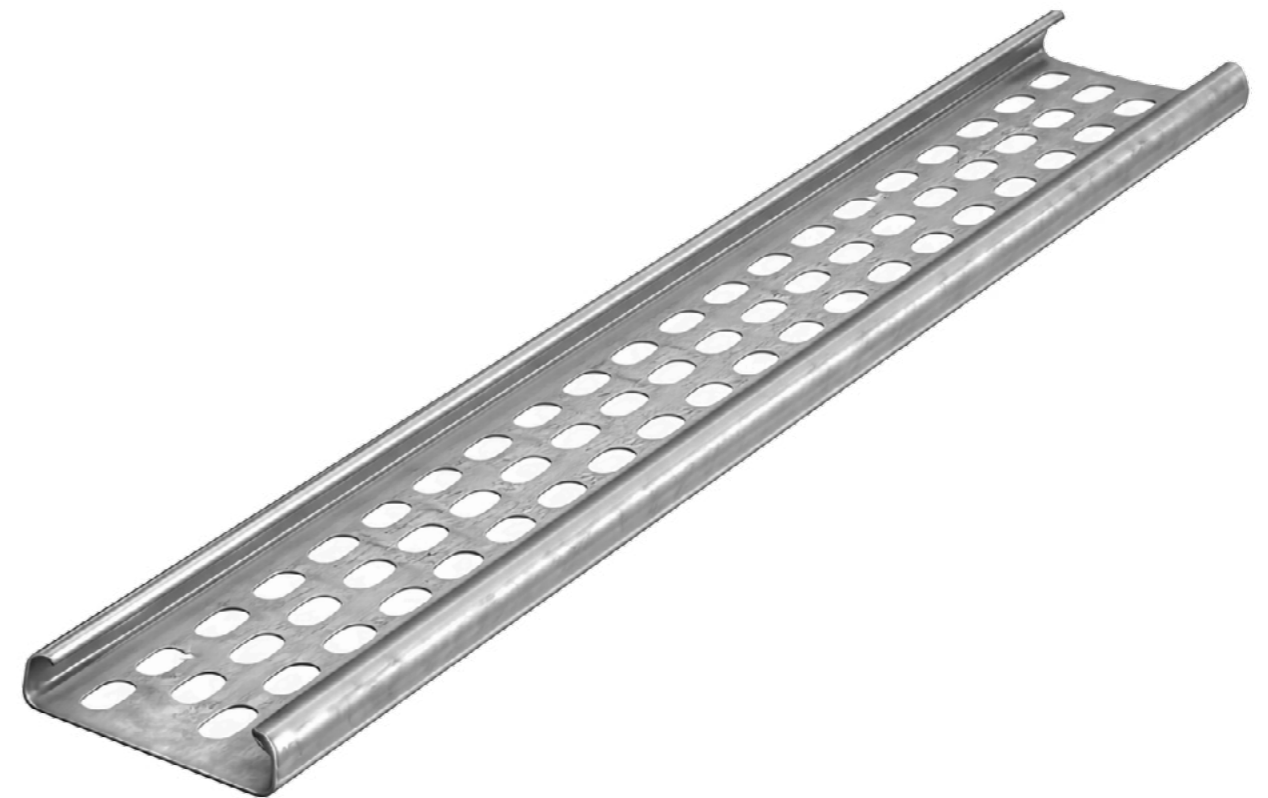
Technical specs, data sheets, and pricing are available upon request.

Get in touch today for more info on 0800 555 464!





ROLLED EDGE CABLE TRAY			
CODE	DESCRIPTION	PACK QTY	FINISH
FDG-CTRE50PG	50 X 27 X 3000	1	PG, HDG, SS 316 & Aluminium
FDG-CTRE100PG	100 X 27 X 3000	1	PG, HDG, SS 316 & Aluminium
FDG-CTRE150PG	150 X 27 X 3000	1	PG, HDG, SS 316 & Aluminium
FDG-CTRE200PG	200 X 27 X 3000	1	PG, HDG, SS 316 & Aluminium
FDG-CTRE300PG	300 X 27 X 3000	1	PG, HDG, SS 316 & Aluminium
FDG-CTRE450PG	450 X 27 X 3000	1	PG, HDG, SS 316 & Aluminium

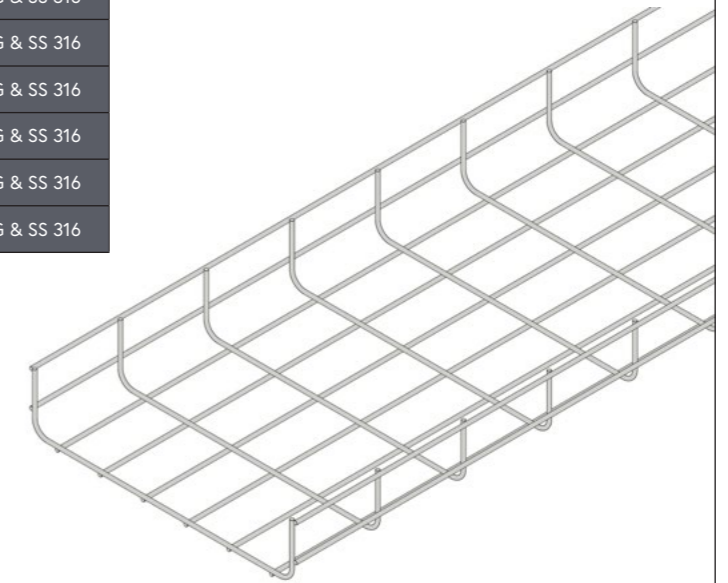


ROLLED EDGE CABLE TRAY

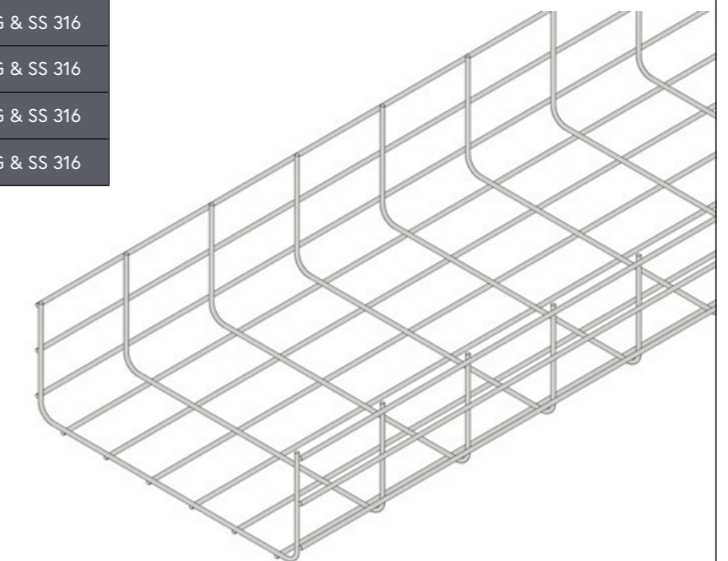


CABLE BASKET

CABLE BASKET 50mm			
CODE	DESCRIPTION	PACK QTY	FINISH
FDGCB50X50	50 x 50 x 3000	1	PG, HDG & SS 316
FDGCB100X50	100 x 50 x 3000	1	PG, HDG & SS 316
FDGCB150X50	150 x 50 x 3000	1	PG, HDG & SS 316
FDGCB200X50	200 x 50 x 3000	1	PG, HDG & SS 316
FDGCB300X50	300 x 50 x 3000	1	PG, HDG & SS 316
FDGCB400X50	400 x 50 x 3000	1	PG, HDG & SS 316
FDGCB450X50	450 x 50 x 3000	1	PG, HDG & SS 316
FDGCB500X50	500 x 50 x 3000	1	PG, HDG & SS 316
FDGCB600X50	600 x 50 x 3000	1	PG, HDG & SS 316



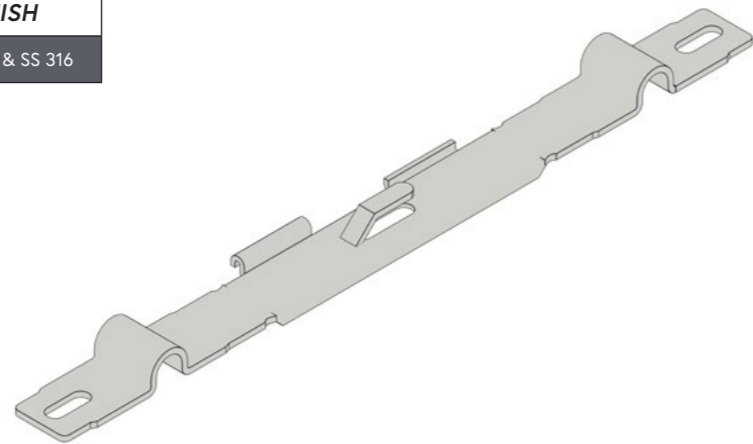
CABLE BASKET 100mm			
CODE	DESCRIPTION	PACK QTY	FINISH
FDGCB100X100	100 x 100 x 3000	1	PG, HDG & SS 316
FDGCB150X100	150 x 100 x 3000	1	PG, HDG & SS 316
FDGCB200X100	200 x 100 x 3000	1	PG, HDG & SS 316
FDGCB300X100	300 x 100 x 3000	1	PG, HDG & SS 316
FDGCB400X100	400 x 100 x 3000	1	PG, HDG & SS 316
FDGCB500X100	500 x 100 x 3000	1	PG, HDG & SS 316
FDGCB600X100	600 x 100 x 3000	1	PG, HDG & SS 316





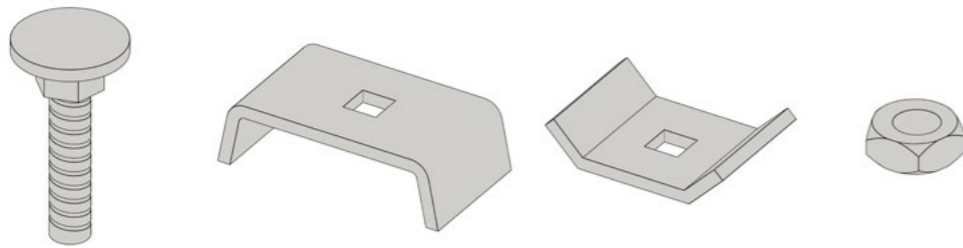
CONNECTOR PLATES

CODE	PACK QTY	FINISH
FDGCB-CP	1	PG, HDG & SS 316



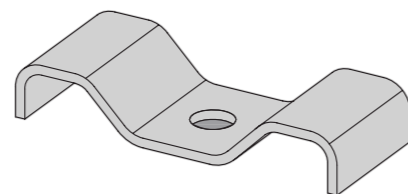
BASKET COUPLERS

CODE	PACK QTY	FINISH
FDGCB-CC	1	PG, HDG & SS 316



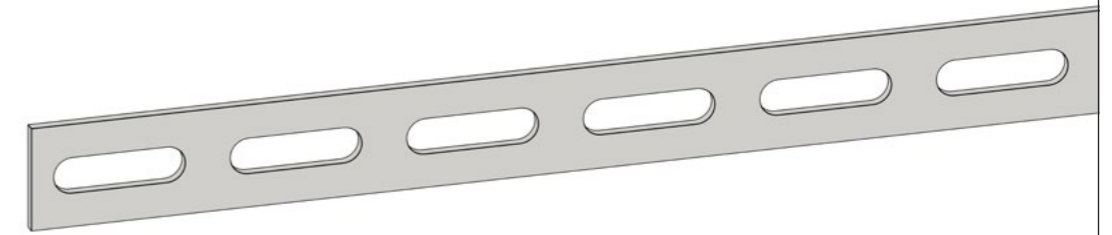
BASKET HOLD DOWNS

CODE	PACK QTY	FINISH
FDGCB-CHD	1	PG, HDG & SS 316



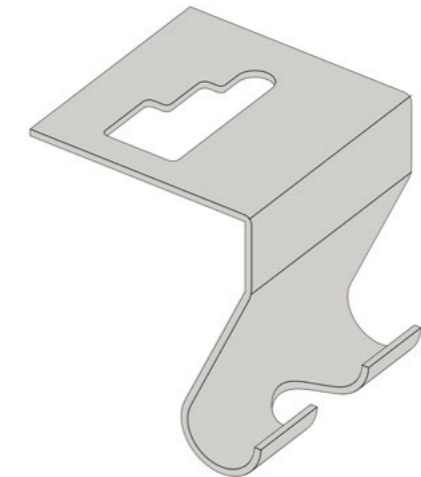
BASKET RADIUS PLATE

CODE	DESCRIPTION	PACK QTY	FINISH
FDGCB-RP	50 X 3000	1	PG, HDG & SS 316



BASKET MOUNTING BRACKET

CODE	PACK QTY	FINISH
FDGCB-HH	1	PG, HDG & SS 316



C HANGER BRACKETS

CODE	PACK QTY	FINISH
FDG-CTSHB150	1	Pre Galv & HDG

*Suits 75, 100, 150 & 300mm Cable Basket

